

215B
Legacy™ Line Heat Pump
with Puron® Refrigerant
Size 1-1/2 - 5 Nominal Tons



Product Data



Bryant heat pumps with Puron® refrigerant provide a collection of features unmatched by any other family of equipment. The 215B has been designed utilizing Bryant's Puron refrigerant. The environmentally sound refrigerant allows consumers to make a responsible decision in the protection of the earth's ozone layer.

This product has been designed and manufactured to meet Energy Star® criteria for energy efficiency when matched with appropriate coil components. Refer to the combination ratings in the Product Data for system combinations that meet Energy Star® guidelines.

NOTE: Ratings contained in this document are subject to change at any time. Always refer to the AHRI directory (www.ahridirectory.org) for the most up-to-date ratings information.

INDUSTRY LEADING FEATURES / BENEFITS

Efficiency

- 15 SEER/ 12.5 EER / 8.0 - 9.0 HSPF
- Microtube Technology™ refrigeration system
- Indoor air quality accessories available

Sound

- Sound level as low as 69 dBA
- Sound levels as low as 68 dBA with accessory sound blanket

Comfort

- System supports Edge® Thermidistat™ or standard thermostat controls

Reliability

- Puron® refrigerant - environmentally sound, won't deplete the ozone layer and low lifetime service cost.
- Scroll compressor
- Internal pressure relief valve
- Internal thermal overload
- High pressure switch
- Loss of charge switch
- Filter drier
- Balanced refrigeration system for maximum reliability

Durability

DuraGuard™ protection package:

- Solid, durable sheet metal construction
- Dense wire coil guard standard
- Baked-on powder paint

Applications

- Long-line - up to 250 feet (76.20 m) total equivalent length, up to 200 feet (60.96 m) condenser above evaporator, or up to 80 ft. (24.38 m) evaporator above condenser (See Longline Guide for more information.)
- Low ambient cooling (down to -20°F/-28.9°C) with accessory kit

MODEL NUMBER NOMENCLATURE

1	2	3	4	5	6	7	8	9	10	11	12	14
N	N	N	A	A/N	N	N	N	N	A/N	A/N	N	A
2	1	5	B	N	A	0	3	6	0	0	0	0
Product Family	Tier	SEER	Major Series	Voltage	Grille Variations	Cooling Capacity			Open	Open	Open	Minor Series
2=HP	1= Legacy RNC	5=15 SEER	B=Puron	N= 208-230-1 or 208/230-1	A = Standard				0=Not Defined	0=Not Defined	0=Not Defined	A = Original Series



Use of the AHRI Certified TM Mark indicates a manufacturer's participation in the program. For verification of certification for individual products, go to www.ahridirectory.org.



ISO 9001
QMI-SAI Global



This product has been designed and manufactured to meet Energy Star® criteria for energy efficiency when matched with appropriate coil components. However, proper refrigerant charge and proper air flow are critical to achieve rated capacity and efficiency. Installation of this product should follow all manufacturing refrigerant charging and air flow instructions. **Failure to confirm proper charge and air flow may reduce energy efficiency and shorten equipment life.**

215B

STANDARD FEATURES

Feature	018	024	030	036	042	048	060
Puron Refrigerant	X	X	X	X	X	X	X
Maximum SEER Rating*	15.3	15.3	15.3	15.3	15.0	15.0	15.0
Scroll Compressor	X	X	X	X	X	X	X
Field Installed Filter Drier	X	X	X	X	X	X	X
Front Seating Service Valves	X	X	X	X	X	X	X
Internal Pressure Relief Valve	X	X	X	X	X	X	X
Internal Thermal Overload	X	X	X	X	X	X	X
Long Line capability	X	X	X	X	X	X	X
Low Ambient cooling capability with Kit	X	X	X	X	X	X	X
Suction Line Accumulator	X	X	X	X	X	X	X
High Pressure Switch	X	X	X	X	X	X	X
Loss of Charge Switch	X	X	X	X	X	X	X
Dense Grille	X	X	X	X	X	X	X

X = Standard

* = Based on tested combination

PHYSICAL DATA

UNIT SIZE SERIES	018-A	024-A	030-A	036-A	042-A	048-A	060-A
Operating Weight lb (kg)	169 (76.7)	200 (90.8)	196 (88.9)	215 (97.5)	245 (111.1)	260 (117.9)	294 (113.4)
Shipping Weight lb (kg)	207 (93.9)	233 (105.7)	242 (109.8)	257 (116.6)	290 (131.5)	303 (137.4)	345 (156.5)
Compressor Type	Scroll						
REFRIGERANT	Puron® (R-410A)						
Control	TXV (Puron Hard Shutoff)						
Charge lb (kg)	5.6 (2.54)	7.60 (3.45)	7.00 (3.18)	7.40 (3.34)	8.90 (4.04)	9.60 (4.35)	12.50 (5.67)
Outdoor Heating Piston #	42	46	52	61	61	67	76
COND FAN	Propeller Type, Direct Drive						
Air Discharge	Vertical						
Air Qty (CFM)	2233	3223	3223	3810	3810	4046	4046
Motor HP	1/12	1/12	1/12	1/5	1/5	1/4	1/4
Motor RPM	800	800	800	800	800	800	800
COND COIL							
Face Area (Sq ft)	15.09	20.12	20.12	22.63	17.60	17.60	25.15
Fins per In.	20	20	20	20	20	20	20
Rows	1	1	1	1	2	2	2
Circuits	4	5	5	6	7	7	9
VALVE CONNECT. (In. ID)							
Vapor	5/8	5/8	3/4	3/4	7/8	7/8	7/8
Liquid	3/8"						
REFRIGERANT TUBES (In. OD)							
Rated Vapor*	5/8	5/8	3/4	3/4	7/8	7/8	1 1/8
Liquid	3/8						

*Units are rated with 25 ft (7.6 m) of lineset length. See Vapor Line Sizing and Cooling Capacity Loss table when using other sizes and lengths of lineset.

Note: See unit Installation Instruction for proper installation.

VAPOR LINE SIZING AND COOLING CAPACITY LOSS

Acceptable vapor line diameters provide adequate oil return to the compressor while avoiding excessive capacity loss. The suction line diameters shown in the chart below are acceptable for HP systems with Puron refrigerant:

Vapor Line Sizing and Cooling Capacity Losses - Puron® Refrigerant 1- Stage Heat Pump Applications

Unit Nominal Size (Btuh)	Maximum Liquid Line Diameters (In. OD)	Vapor Line Diameters (In.) OD	Cooling Capacity Loss (%) Total Equivalent Line Length ft. (m)								
			Standard Application		Long Line Application Requires Accessories						
			26-50 (7.9-15.2)	51-80 (15.5-24.4)	81-100 (24.7-30.5)	101-125 (30.8-38.1)	126-150 (38.4-45.7)	151-175 (46.0-50.3)	176-200 (53.6-60.0)	201-225 (61.3-68.6)	226-250 (68.9-76.2)
18,000 1-Stage HP with Puron	3/8	1/2	1	2	3	4	6	7	8	9	10
		5/8	0	0	1	1	1	2	2	3	3
24,000 1-Stage HP with Puron	3/8	5/8	0	1	1	2	3	3	4	4	5
		3/4	0	0	0	0	1	1	1	1	1
30,000 1-Stage HP with Puron	3/8	5/8	1	2	3	3	4	5	6	7	8
		3/4	0	0	1	1	1	2	2	2	3
		7/8	0	0	0	0	1	1	1	1	1
36,000 1-Stage HP with Puron	3/8	5/8	1	2	4	5	6	7	9	10	11
		3/4	0	0	1	1	2	3	3	3	4
		7/8	0	0	0	0	1	1	1	1	2
42,000 1-Stage HP with Puron	3/8	3/4	0	1	2	2	3	4	4	5	6
		7/8	0	0	1	1	1	2	2	2	3
48,000 1-Stage HP with Puron	3/8	3/4	0	1	2	3	4	5	5	6	7
		7/8	0	0	1	1	2	2	2	3	3
60,000 1-Stage HP with Puron	3/8	3/4	1	2	4	5	6	7	9	10	11
		7/8	0	1	2	2	3	4	4	5	5
		1-1/8	0	0	0	1	1	1	1	1	1

Standard Length = 80 ft. (24.4 m) or less total equivalent length

Applications in this area are long line. Accessories are required as shown recommended on Long Line Application Guidelines

Applications in this area may have height restrictions that limit allowable total equivalent length, when outdoor unit is below indoor unit. See Long Line Application Guidelines

REFRIGERANT PIPING LENGTH LIMITATIONS

Maximum Line Lengths:

The maximum allowable total equivalent length for heat pumps varies depending on the vertical separation. See the tables below for allowable lengths depending on whether the outdoor unit is on the same level, above or below the indoor unit.

Maximum Line Lengths for Heat Pump Applications

	MAXIMUM ACTUAL LENGTH ft (m)	MAXIMUM EQUIVALENT LENGTH† ft (m)	MAXIMUM VERTICAL SEPARATION ft (m)
Units on equal level	200 (61)	250 (76.2)	N/A
Outdoor unit ABOVE indoor unit	200 (61)	250 (76.2)	200 (61)
Outdoor unit BELOW indoor unit	See Table 'Maximum Total Equivalent Length: Outdoor Unit BELOW Indoor Unit'		

† Total equivalent length accounts for losses due to elbows or fitting. See the Long Line Guideline for details.

Maximum Total Equivalent Length† - Outdoor Unit BELOW Indoor Unit

Size	Liquid Line Diameter w/ TXV	HP with Puron® Refrigerant – Maximum Total Equivalent Length† Vertical Separation ft (m) Outdoor unit BELOW indoor unit;						
		0–20 (0 – 6.1)	21–30 (6.4 – 9.1)	31–40 (9.4 – 12.2)	41–50 (12.5 – 15.2)	51–60 (15.5 – 18.3)	61–70 (18.6 – 21.3)	71–80 (21.6 – 24.4)
18000 HP with Puron	3/8	250*	250*	250*	250*	250*	250*	250*
24000 HP with Puron	3/8	250*	250*	250*	250*	250*	250*	250*
30000 HP with Puron	3/8	250*	250*	250*	250*	250*	250*	250*
36000 HP with Puron	3/8	250*	250*	250*	250*	250*	250*	250*
42000 HP with Puron	3/8	250*	250*	250*	250*	250*	250*	150
48000 HP with Puron	3/8	250*	250*	250*	250*	230	160	--
60000 HP with Puron	3/8	250*	225*	190	150	110	--	--

* Maximum actual length not to exceed 200 ft (61 m)

† Total equivalent length accounts for losses due to elbows or fitting. See the Long Line Guideline for details.

-- = outside acceptable range

LONG LINE APPLICATIONS

An application is considered Long Line when the refrigerant level in the system requires the use of accessories to maintain acceptable refrigerant management for systems reliability. Defining a system as long line depends on the liquid line diameter, actual length of the tubing, and vertical separation between the indoor and outdoor units.

For Heat Pump systems, the chart below shows when an application is considered Long Line. Beyond these lengths, long line accessories are required:

HP WITH PURON® REFRIGERANT LONG LINE DESCRIPTION ft (m) Beyond these lengths, long line accessories are required

Liquid Line Size	Units On Same Level	Outdoor Below Indoor	Outdoor Above Indoor
3/8	80 (24.4)	20 (6.1) vertical or 80 (24.4) total	80 (24.4)

Note: See Long Line Guideline for details

ACCESSORIES

ORDER NUMBER	DESCRIPTION	018-A	024-A	030-A	036-A	042-A	048-A	060-A
HC32GE229	BALL BEARING MOTOR	X	X	X				
HC38GE228	BALL BEARING MOTOR				X	X		
HC40GE228	BALL BEARING MOTOR						X	X
KAACH1701AAA	CRANKCASE HTR	X	X	X				
KAACH1401AAA	CRANKCASE HTR				X			
KAACH1601AAA	CRANKCASE HTR					X		
KAACH1201AAA	CRANKCASE HTR						X	
STANDARD	CRANKCASE HTR							S
KSACY0101AAA	CYCLE PROTECTOR	X	X	X	X	X	X	X
KAFT0101AAA	FREEZE THERMOSTAT	X	X	X	X	X	X	X
KSAHS1701AAA	HARD START	X	X	X	X	X	X	X
KHAIR0101AAA	ISOLATION RELAY	X	X	X	X	X	X	X
KSALA0301410	LOW AMBIENT PSW	X	X	X	X	X	X	X
KSALA0601AAA†	MOTORMASTER 230V	X	X	X	X	X	X	X
KHAOT0201SEC	OUTDOOR THERMOSTAT	X	X	X	X	X	X	X
KHAOT0301FST	OUTDOOR THERMOSTAT	X	X	X	X	X	X	X
KHALS0401LLS	SOLENOID VALVE	X	X	X	X	X	X	X
KHASS0606MPK*	SNOW STAND RACK		X	X	X	X	X	X
KSASH0601COP	SOUND BLKT	X	X	X	X	X	X	
KSASH2101COP	SOUND BLKT							X
KAACS0201PTC	START ASSIST PTC	X	X	X	X	X	X	X
KSASF0101AAA	SUPPORT FEET	X	X	X	X	X	X	X
KAATD0101TDR	TIME DELAY RELAY	X	X	X	X	X	X	X
KSATX0201PUR	TXV PURON HSO	X	X	X				
KSATX0301PUR	TXV PURON HSO				X	X		
KSATX0401PUR	TXV PURON HSO						X	
KSATX0501PUR	TXV PURON HSO							X

x = Accessory S = Standard

* Available through RCD.

† Required accessories include ball bearing fan motor, compressor start assist (CAP / Relay), crankcase heater, evaporator freeze stat, isolation relay, hard shut-off TXV or liquid line solenoid valve.

215B

ACCESSORY THERMOSTATS

PART NUMBER	PROGRAM	GAS	ELECTRIC	HEAT	COOL
T2-PAC01	5-2 Day	√	√	1	1
T2-NAC01	NP	√	√	1	1
T2SNAC01	NP	√	√	1	1

THERMOSTAT ACCESSORIES		
PART NUMBER	BRIEF DESCRIPTION	THERMOSTATS USED WITH
TSTATXXCNV10	Thermostat Conversion Kit (4 to 5 wire) – 10 pack	All Bryant® branded thermostats
TX-LBP01	Large Decorative Backplate	T6-Pxx, T6-Nxx, and T2-Pxx
TX-MBP01	Medium Decorative Backplate	T2-Nxx and T1-Pxx

ACCESSORY USAGE GUIDELINE

Accessory	REQUIRED FOR LOW-AMBIENT COOLING APPLICATIONS (Below 55°F / 12.8°C)	REQUIRED FOR LONG LINE APPLICATIONS* (Over 80 ft. / 24.38 m)	REQUIRED FOR SEA COAST APPLICATIONS (Within 2 miles / 3.22 km)
Accumulator	Standard	Standard	Standard
Ball Bearing Fan Motor	Yes†	No	No
Compressor Start Assist Capacitor and Relay	Yes	Yes	No
Crankcase Heater	Yes	Yes	No
Evaporator Freeze Thermostat	Yes	No	No
Hard Shutoff TXV	Yes	Yes	Yes
Isolation Relay	Yes	No	No
Liquid Line Solenoid Valve	No	See Long-Line Application Guideline	No
Motor Master® Control or Low Ambient Switch	Yes	No	No
Support Feet	Recommended	No	Recommended

* For tubing line sets between 80 and 200 ft. (24.38 and 60.96 m) and/or 20 ft. (6.09 m) vertical differential, refer to Residential Split-System Longline Application Guideline.

† Additional requirement for Low-Ambient Controller (full modulation feature) MotorMaster® Control.

Accessory Description and Usage (Listed Alphabetically)

1. Ball-Bearing Fan Motor

A fan motor with ball bearings which permits speed reduction while maintaining bearing lubrication.

Usage Guideline:

Required on all units when using MotorMaster®

2. Compressor Start Assist - Capacitor and Relay

Start capacitor and relay gives a "hard" boost to compressor motor at each start up.

Usage Guideline:

Required for reciprocating compressors in the following applications:

- Long line
- Low ambient cooling
- Hard shut off expansion valve on indoor coil
- Liquid line solenoid on indoor coil

Required for single-phase scroll compressors in the following applications:

- Long line
- Low ambient cooling

Suggested for all compressors in areas with a history of low voltage problems.

3. Compressor Start Assist — PTC Type

Solid state electrical device which gives a "soft" boost to the compressor at each start-up.

Usage Guideline:

Suggested in installations with marginal power supply.

4. Crankcase Heater

An electric resistance heater which mounts to the base of the compressor to keep the lubricant warm during off cycles. Improves compressor lubrication on restart and minimizes the chance of liquid slugging.

Usage Guideline:

- Required in low ambient cooling applications.
- Required in long line applications.
- Suggested in all commercial applications.

5. Evaporator Freeze Thermostat

An SPST temperature-actuated switch that stops unit operation when evaporator reaches freeze-up conditions.

Usage Guideline:

Required when low ambient kit has been added.

6. Isolation Relay

An SPDT relay which switches the low-ambient controller out of the outdoor fan motor circuit when the heat pump switches to heating mode.

Usage Guideline:

Required in all heat pumps where low ambient kit has been added.

7. Liquid-Line Solenoid Valve (LLS)

An electrically operated shutoff valve which stops and starts refrigerant liquid flow in response to compressor operation. It is to be installed at the outdoor unit to control refrigerant off cycle migration in the heating mode.

Usage Guideline:

An LLS is required in all long line heat pump applications to control refrigerant off cycle migration in the heating mode. See Long Line Guideline.

8. Low-Ambient Pressure Switch Kit

A long life pressure switch which is mounted to outdoor unit service valve. It is designed to cycle the outdoor fan motor in order to maintain head pressure within normal operating limits. The control will maintain working head pressure at low-ambient temperatures down to 0°F (-17.8°C) when properly installed.

Usage Guideline:

A Low-Ambient Pressure Switch or MotorMaster® Low-Ambient Controller must be used when cooling operation is used at outdoor temperatures below 55°F (12.8°C).

9. MotorMaster® Low-Ambient Controller

A fan-speed control device activated by a temperature sensor, designed to control condenser fan motor speed in response to the saturated, condensing temperature during operation in cooling mode only. For outdoor temperatures down to -20°F (-28.9°C), it maintains condensing temperature at 100°F ±10°F (37.8°C ± 6.5°C).

Usage Guideline:

A MotorMaster® Low Ambient Controller or Low-Ambient Pressure Switch must be used when cooling operation is used at outdoor temperatures below 55°F (12.8°C).

Suggested for all commercial applications.

Accessory Description and Usage (Listed Alphabetically) - CONTINUED

10. Outdoor Air Temperature Sensor

Designed for use with Bryant Thermostats listed in this publication. This device enables the thermostat to display the outdoor temperature. This device also is required to enable special thermostat features such as auxiliary heat lock out.

Usage Guideline:

Suggested for all Bryant thermostats listed in this publication.

11. Outdoor Thermostat

An SPDT temperature-actuated switch which turns on supplemental electric heaters when outdoor air temperature drops below a user-selected set point.

Usage Guideline:

Electric supplemental heat applications in non-variable speed indoor units when electric heat staging is desired.

12. Secondary Outdoor Thermostat

An SPDT temperature-actuated switch which turns on third-stage of supplemental electric heaters when outdoor air temperature drops below the second-stage set point.

Usage Guideline:

Outdoor thermostat applications where electric heater is capable of 3-stage operation.

13. Snow Stand

Coated wire rack which supports unit 18 in. (457.2 mm) above mounting pad to allow for drainage from unit base.

Usage Guideline:

Suggested in the following applications:

Heat pump installations in heavy snowfall areas.

Heat pump installations in snow drift locations.

Heat pump installations in areas of prolonged subfreezing temperatures.

All commercial installations.

Note: Snow stand does not support 26" X 26" (660 X 660 mm) small basepan size.

14. Sound Hood

Wraparound sound reducing cover for the compressor. Reduces the sound level by about 2 dBA.

Usage Guideline:

Suggested when unit is installed closer than 15 ft. (4.577 m) to quiet areas, bedrooms, etc.

Suggested when unit is installed between two houses less than 10 ft. (3.05 m) apart.

15. Thermostatic Expansion Valve (TXV) Bi-Flow

A modulating flow-control valve which meters refrigerant liquid flow rate into the evaporator in response to the superheat of the refrigerant gas leaving the evaporator.

Usage Guideline:

Accessory required to meet AHRI rating and system reliability, where indoor not equipped.

Required in all heat pump applications designed with Puron refrigerant.

16. Time-Delay Relay

An SPST delay relay which briefly continues operation of indoor blower motor to provide additional cooling after the compressor cycles off.

Note: Most indoor unit controls include this feature. For those that do not, use the guideline below.

Usage Guideline:

Accessory required to meet AHRI rating, where indoor not equipped.

ELECTRICAL DATA

UNIT SIZE	V/PH	OPER VOLTS*		COMPR		FAN	MCA	MIN WIRE SIZE†		MAX LENGTH ft (m)‡		MAX FUSE** or BRK AMPS
		MAX	MIN	LRA	RLA	FLA		60° C	75° C	60° C	75° C	
018-A	208/230/1	253	197	48.0	9.0	0.5	11.8	14	14	67 (20.4)	63 (19.2)	20
024-A				58.3	12.8	0.5	16.5	14	14	48 (14.6)	45 (13.7)	25
030-A				73.0	14.1	0.5	18.1	14	14	44 (13.4)	41 (12.5)	30
036-A				79.0	16.7	1.2	22.1	12	12	57 (17.4)	54 (16.5)	35
042-A				109.0	21.1	1.2	27.6	10	10	72 (21.9)	69 (21.0)	40
048-A				117.0	21.8	1.2	28.5	10	10	70 (21.3)	67 (20.4)	40
060-A				134.0	26.4	1.2	34.2	8	10	91 (27.7)	56 (17.1)	50

* Permissible limits of the voltage range at which the unit will operate satisfactorily

† If wire is applied at ambient greater than 30°C, consult table 310-16 of the NEC (NFPA 70). The ampacity of non-metallic-sheathed cable (NM), trade name ROMEX, shall be that of 60°C conditions, per the NEC (NFPA 70) Article 336-26. If other than uncoated (no-plated), 60 or 75°C insulation, copper wire (solid wire for 10 AWG or smaller, stranded wire for larger than 10 AWG) is used, consult applicable tables of the NEC (NFPA 70).

‡ Length shown is as measured 1 way along wire path between unit and service panel for voltage drop not to exceed 2%.

** Time-Delay fuse.

FLA - Full Load Amps

LRA - Locked Rotor Amps

MCA - Minimum Circuit Amps

RLA - Rated Load Amps

NOTE: Control circuit is 24-V on all units and requires external power source. Copper wire must be used from service disconnect to unit.

All motors/compressors contain internal overload protection.

Complies with 2007 requirements of ASHRAE Standards 90.1

215B

A-WEIGHTED SOUND POWER (dBA)

UNIT SIZE	STANDARD RATING dBA	TYPICAL OCTAVE BAND SPECTRUM (dBA, without tone adjustment)						
		125	250	500	1000	2000	4000	8000
018-A	73	49.5	60.0	65.0	69.0	65.5	62.0	55.0
024-A	69	48.5	59.5	61.5	62.5	61.0	59.0	53.5
030-A	71	51.0	58.5	61.5	65.5	62.5	60.0	53.5
036-A	72	55.5	59.5	63.5	66.5	64.5	61.5	55.5
042-A	74	56.5	64.0	67.0	68.5	65.0	62.0	57.5
048-A	74	55.5	62.0	66.0	69.0	65.0	62.0	56.0
060-A	74	59.0	62.0	65.0	68.0	65.0	62.5	62.0

NOTE: Tested in accordance with AHRI Standard 270-08 (not listed in AHRI).

A-WEIGHTED SOUND POWER (dBA) WITH SOUND SHIELD

UNIT SIZE	STANDARD RATING dBA	TYPICAL OCTAVE BAND SPECTRUM (dBA, without tone adjustment)						
		125	250	500	1000	2000	4000	8000
018-A	72	50.5	60.0	65.0	67.5	64.5	61.5	53.5
024-A	68	49.5	58.5	61.5	62.0	61.0	58.5	51.5
030-A	69	50.5	58.5	61.5	64.0	61.5	58.5	51.5
036-A	70	54.5	57.5	63.0	66.0	64.0	61.0	54.0
042-A	72	56.5	64.5	66.5	66.5	64.5	61.0	54.5
048-A	72	55.5	62.5	66.0	68.0	64.0	60.0	53.0
060-A	73	58.5	62.5	65.0	67.0	64.0	61.0	56.5

NOTE: Tested in accordance with AHRI Standard 270-08 (not listed in AHRI).


CHARGING SUBCOOLING (TXV-TYPE EXPANSION DEVICE)

UNIT SIZE - SERIES	REQUIRED SUBCOOLING °F (°C)
018-A	12 (6.7)
024-A	14 (7.8)
030-A	10 (5.6)
036-A	8 (4.4)
042-A	10 (5.6)
048-A	11 (6.1)
060-A	10 (5.6)

DIMENSIONS - SI

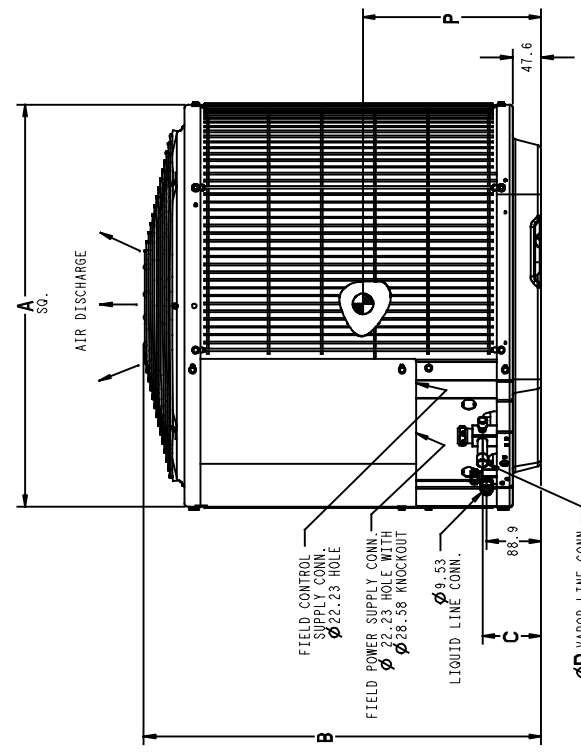
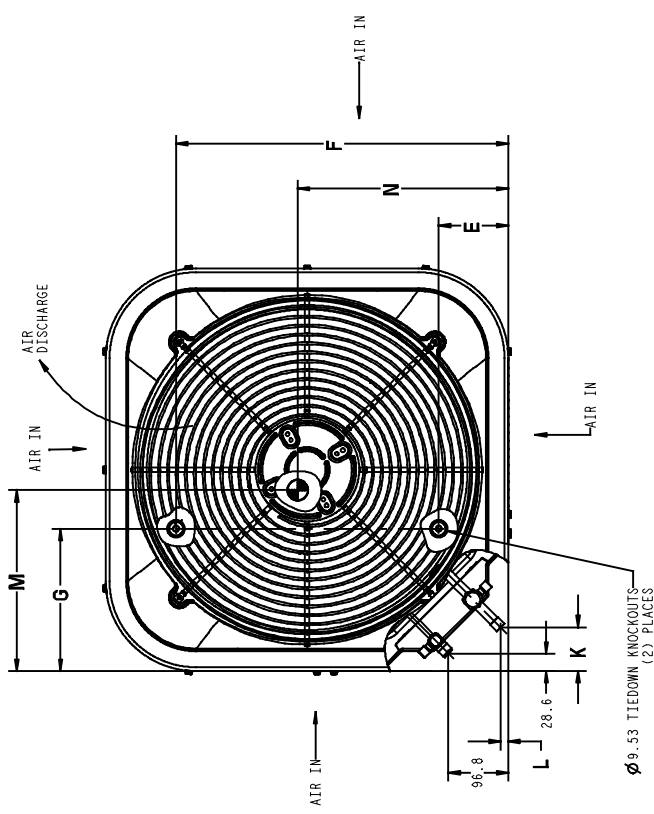
UNIT	SERIES	ELECTRICAL CHARACTERISTICS	A	B	C	D	E	F	G	K	L	M	N	P	OPERATING WEIGHT (KGS)	SHIPPING WEIGHT (KGS)	SHIPPING DIMENSIONS (L x W x H)
215B018	A	X 0 0 0	792.5	734.8	95.6	15.9	166.1	626.3	231.3	70.9	12.8	406.4	381.0	355.6	76.7	93.9	821.2 X 901.2 X 826.8
215B024	A	X 0 0 0	889.0	821.2	95.6	15.9	166.1	722.8	231.3	70.9	12.8	400.1	425.5	419.1	90.8	105.7	917.7 X 997.7 X 913.2
215B030	A	X 0 0 0	889.0	821.2	95.6	19.1	166.1	722.8	231.3	70.9	12.8	412.8	406.4	393.7	88.9	109.8	917.7 X 997.7 X 913.2
215B036	A	X 0 0 0	889.0	907.5	95.6	19.1	166.1	722.8	231.3	70.9	12.8	400.1	425.5	431.8	91.5	116.6	917.7 X 997.7 X 999.5
215B042	A	X 0 0 0	889.0	734.8	97.9	22.2	166.1	722.8	231.3	74.5	16.3	431.8	425.5	374.7	111.1	131.5	917.7 X 997.7 X 826.8
215B048	A	X 0 0 0	889.0	734.8	97.9	22.2	166.1	722.8	231.3	74.5	16.3	425.5	412.8	355.6	117.9	137.4	917.7 X 997.7 X 826.8
215B060	A	X 0 0 0	889.0	993.9	97.9	22.2	166.1	722.8	231.3	74.5	16.3	438.2	412.8	463.6	113.4	156.5	917.7 X 997.7 X 1085.9

NOTES:

- ALLOW 762.0 CLEARANCE TO SERVICE SIDE OF UNIT, 1219.2 ABOVE UNIT, 152.4 ON ONE SIDE, 304.8 ON REMAINING SIDE, AND 609.6 BETWEEN UNITS FOR PROPER AIRFLOW.
- MINIMUM OUTDOOR OPERATING AMBIENT IN COOLING MODE IS 13°C, MAX. 52°C.
- SERIES DESIGNATION IS THE 14TH POSITION OF THE UNIT MODEL NUMBER.
- CENTER OF GRAVITY 
- ALL DIMENSIONS ARE IN "MM" UNLESS NOTED.

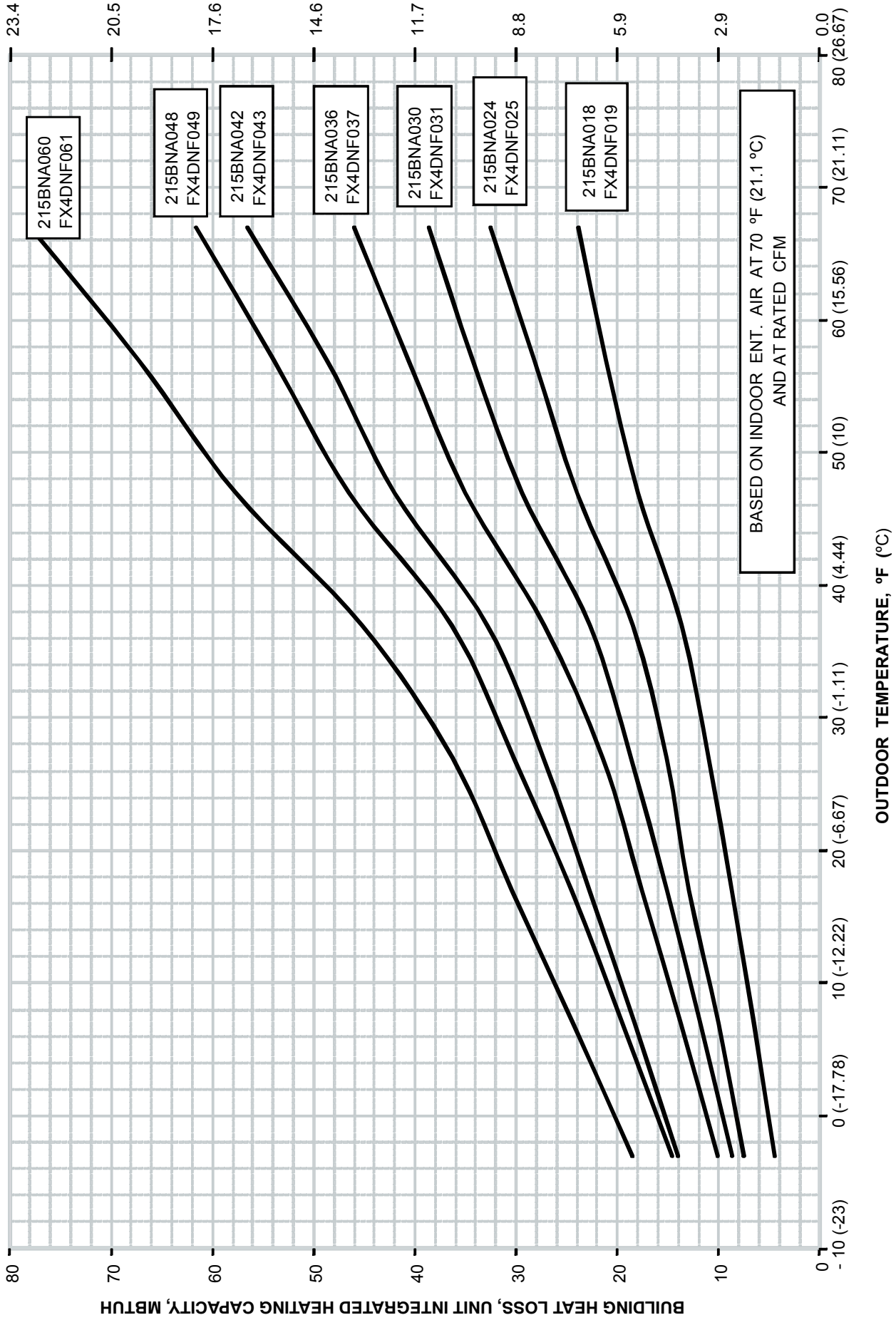
X = YES
O = NO

208-230-160	230-160	208/230-3-60	460-3-60
-------------	---------	--------------	----------

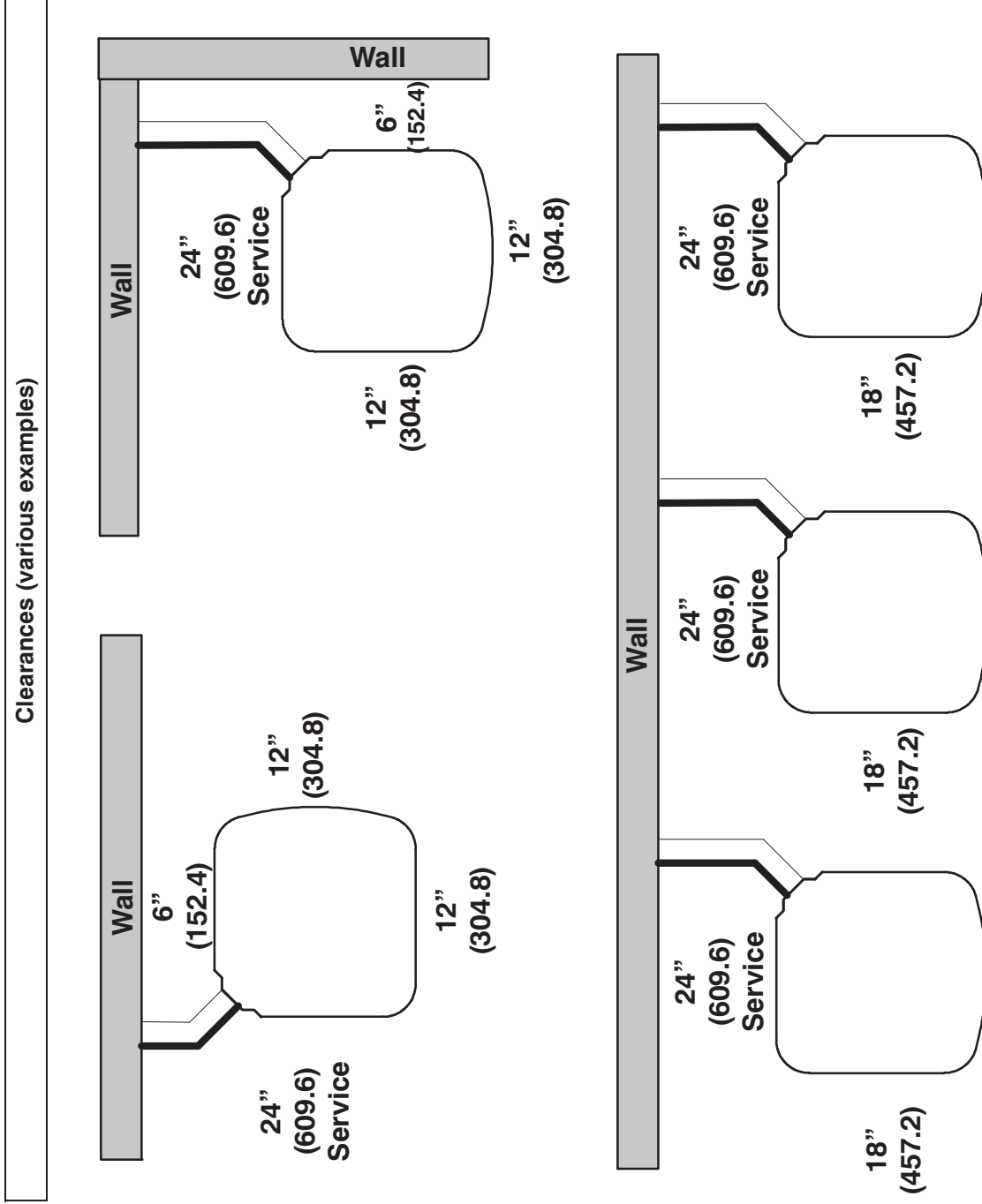


UNIT SIZE	MINIMUM MOUNTING PAD DIMENSIONS
-	660.4 X 660.4
18	800.1 X 800.1
24, 30, 36, 42, 48, 60	889.0 X 889.0

215B BALANCE POINT WORKSHEET



CLEARANCES



Note: Numbers in () = mm

IMPORTANT: When installing multiple units in an alcove, roof well, or partially enclosed area, ensure there is adequate ventilation to prevent re-circulation of discharge air.

COMBINATION RATINGS

AHRI Ref. No.	Model Number	Coil Model Number	Furnace Model Number	Cooling Capacity	EER	SEER	High Temp		HSPF	Low Temp	
							E Capacity	E COP		H Capacity	H COP
4843464	215BNA018****A	†FX4DNF019		17,800	12.6	15.3	17,800	3.92	8.6	10,700	2.60
3647028	215BNA018****A	CAP**1814A**	313*AV024045	17,400	12.0	14.5	17,800	3.68	8.2	10,600	2.50
3646433	215BNA018****A	CAP**1814A**	315(A,J)AV036070	17,200	12.0	14.5	17,500	3.58	7.9	10,400	2.46
4804908	215BNA018****A	CAP**1814A**	925*A30040E14***	17,200	11.5	14.0	17,600	3.52	7.8	10,500	2.42
4833652	215BNA018****A	CAP**1814A**	986*A30040V14***	17,300	11.5	14.0	17,800	3.56	8.0	10,600	2.42
3647229	215BNA018****A	CAP**1814A**+TDR		17,200	11.2	13.0	18,000	3.52	8.0	11,200	2.38
3647029	215BNA018****A	CAP**2414A**	313*AV024045	17,600	12.5	15.0	18,000	3.84	8.5	10,700	2.56
3646434	215BNA018****A	CAP**2414A**	315(A,J)AV036070	17,400	12.5	15.0	17,700	3.70	8.1	10,500	2.50
4804909	215BNA018****A	CAP**2414A**	925*A30040E14***	17,600	11.8	14.2	17,800	3.64	8.2	10,600	2.46
4833653	215BNA018****A	CAP**2414A**	986*A30040V14***	17,700	11.8	14.2	18,000	3.70	8.2	10,700	2.48
3647230	215BNA018****A	CAP**2414A**+TDR		17,400	11.2	13.5	18,000	3.62	8.2	11,200	2.42
3646463	215BNA018****A	CAP**2417A**	315(A,J)AV048090	17,400	12.5	15.0	17,700	3.74	8.1	10,500	2.52
3646674	215BNA018****A	CAP**2417A**	353(A,B)AV036060	17,800	13.0	15.5	18,000	3.92	8.5	10,600	2.60
3646636	215BNA018****A	CAP**2417A**	353AAV036040	18,000	13.0	15.5	18,000	4.00	8.7	10,700	2.64
3646829	215BNA018****A	CAP**2417A**	355(A,C)AV042060	17,400	12.5	15.0	17,700	3.72	8.1	10,500	2.52
3647154	215BNA018****A	CAP**2417A**	355BAV042060	17,400	12.5	15.0	17,700	3.72	8.1	10,500	2.52
3829814	215BNA018****A	CAP**2417A**	368RAN036105	18,000	12.5	15.5	18,000	3.92	8.5	10,700	2.60
3829813	215BNA018****A	CAP**2417A**	374RAN036105	17,800	12.5	15.0	17,800	3.76	8.5	10,500	2.54
4804912	215BNA018****A	CAP**2417A**	925*A30040E14***	17,600	12.0	14.5	17,800	3.66	8.2	10,600	2.48
4833654	215BNA018****A	CAP**2417A**	986*A30040V14***	17,800	11.8	14.2	18,000	3.72	8.2	10,700	2.48
4833655	215BNA018****A	CAP**2417A**	986*A42060V17***	18,000	12.0	14.5	18,000	3.84	8.5	10,700	2.56
4833656	215BNA018****A	CAP**2417A**	986*A48080V17***	18,000	12.5	15.0	18,000	3.90	8.5	10,700	2.58
4804910	215BNA018****A	CAP**2417A**	987*A42060V17***	17,600	12.0	14.5	17,700	3.70	8.2	10,500	2.50
4804911	215BNA018****A	CAP**2417A**	987*A42080V17***	17,600	12.0	14.5	17,600	3.68	8.2	10,400	2.50
4194335	215BNA018****A	CAP**2417A**	OVLAAB036098	18,000	12.5	15.0	18,000	3.84	8.5	10,700	2.56
4194334	215BNA018****A	CAP**2417A**	OVMAAB036098	18,000	12.5	15.0	18,000	3.90	8.5	10,800	2.58
3647232	215BNA018****A	CAP**2417A**+TDR		17,400	11.2	13.5	18,000	3.62	8.2	11,200	2.42
3647033	215BNA018****A	CNPH*2417A**	313*AV024045	17,600	12.5	15.0	18,000	3.84	8.5	10,700	2.56
3646440	215BNA018****A	CNPH*2417A**	315(A,J)AV036070	17,300	12.5	15.0	17,700	3.74	8.1	10,500	2.52
3646471	215BNA018****A	CNPH*2417A**	315(A,J)AV048090	17,400	12.5	15.0	17,700	3.76	8.1	10,500	2.52
3646681	215BNA018****A	CNPH*2417A**	353(A,B)AV036060	17,600	12.5	15.5	17,900	3.86	8.5	10,600	2.56
3646643	215BNA018****A	CNPH*2417A**	353AAV036040	17,800	12.5	15.5	18,000	3.96	8.7	10,700	2.60
3646836	215BNA018****A	CNPH*2417A**	355(A,C)AV042060	17,400	12.5	15.0	17,700	3.76	8.1	10,500	2.52
3646872	215BNA018****A	CNPH*2417A**	355(A,C)AV042080	17,300	12.5	15.0	17,700	3.74	8.1	10,500	2.52
3647007	215BNA018****A	CNPH*2417A**	355AAV042040	17,400	12.5	15.0	17,700	3.74	8.2	10,500	2.52
3756402	215BNA018****A	CNPH*2417A**	359BAV036040	18,000	12.2	14.5	18,000	3.96	8.5	11,000	2.58
3756403	215BNA018****A	CNPH*2417A**	359BAV036060	18,000	12.2	14.5	18,000	3.96	8.6	11,000	2.58
3829820	215BNA018****A	CNPH*2417A**	368RAN036105	18,000	12.5	15.5	18,000	3.94	8.5	10,700	2.60
3829819	215BNA018****A	CNPH*2417A**	374RAN036105	17,800	12.5	15.0	17,800	3.80	8.5	10,600	2.54
4804923	215BNA018****A	CNPH*2417A**	925*A30040E14***	17,500	11.8	14.2	17,800	3.66	8.2	10,600	2.46
4833665	215BNA018****A	CNPH*2417A**	986*A30040V14***	17,700	11.8	14.2	18,000	3.72	8.2	10,700	2.48
4833666	215BNA018****A	CNPH*2417A**	986*A42060V17***	17,800	12.0	14.5	17,900	3.80	8.2	10,600	2.54
4833667	215BNA018****A	CNPH*2417A**	986*A48080V17***	18,000	12.5	15.0	18,000	3.86	8.5	10,700	2.56
4804921	215BNA018****A	CNPH*2417A**	987*A42060V17***	17,700	12.0	14.5	17,800	3.72	8.2	10,500	2.50
4804922	215BNA018****A	CNPH*2417A**	987*A42080V17***	17,600	12.0	14.5	17,700	3.70	8.2	10,500	2.50
4194342	215BNA018****A	CNPH*2417A**	OVLAAB036098	18,000	12.5	15.0	18,000	3.88	8.6	10,700	2.56
4194341	215BNA018****A	CNPH*2417A**	OVMAAB036098	18,000	12.5	15.0	18,000	3.92	8.7	10,800	2.58
3647270	215BNA018****A	CNPH*2417A**+TDR		17,400	11.2	13.5	18,000	3.66	8.2	11,300	2.42
3647038	215BNA018****A	CNPV*1814A**	313*AV024045	17,400	12.0	14.5	17,800	3.74	8.1	10,600	2.52
3646449	215BNA018****A	CNPV*1814A**	315(A,J)AV036070	17,200	12.0	14.5	17,500	3.68	7.9	10,500	2.48
4804913	215BNA018****A	CNPV*1814A**	925*A30040E14***	17,300	11.8	14.2	17,700	3.56	8.0	10,500	2.42
4833657	215BNA018****A	CNPV*1814A**	986*A30040V14***	17,400	11.5	14.0	17,900	3.60	8.0	10,700	2.44
3647284	215BNA018****A	CNPV*1814A**+TDR		17,200	11.2	13.0	18,000	3.62	8.0	11,200	2.40
3646483	215BNA018****A	CNPV*1917A**	315(A,J)AV048090	17,600	12.5	15.0	17,800	3.80	8.5	10,500	2.54
3646690	215BNA018****A	CNPV*1917A**	353(A,B)AV036060	18,000	13.0	15.5	18,000	3.96	8.6	10,700	2.62
3646652	215BNA018****A	CNPV*1917A**	353AAV036040	18,000	13.0	15.5	18,000	4.08	8.8	10,800	2.66
3646845	215BNA018****A	CNPV*1917A**	355(A,C)AV042060	17,500	12.5	15.0	17,800	3.78	8.5	10,500	2.54
3647161	215BNA018****A	CNPV*1917A**	355BAV042060	17,500	12.5	15.0	17,800	3.78	8.5	10,500	2.54
3829816	215BNA018****A	CNPV*1917A**	368RAN036105	18,000	12.5	15.5	18,000	4.00	8.5	10,700	2.62
3829815	215BNA018****A	CNPV*1917A**	374RAN036105	17,900	12.5	15.0	17,900	3.86	8.5	10,600	2.56
4804916	215BNA018****A	CNPV*1917A**	925*A30040E14***	17,700	12.0	14.5	17,900	3.74	8.2	10,700	2.50
4833658	215BNA018****A	CNPV*1917A**	986*A30040V14***	17,900	12.0	14.5	18,000	3.80	8.2	10,800	2.52
4833659	215BNA018****A	CNPV*1917A**	986*A42060V17***	18,000	12.5	15.0	18,000	3.94	8.5	10,800	2.58
4833660	215BNA018****A	CNPV*1917A**	986*A48080V17***	18,000	12.5	15.2	18,000	4.00	8.8	10,800	2.62
4804914	215BNA018****A	CNPV*1917A**	987*A42060V17***	17,800	12.0	14.5	17,800	3.78	8.2	10,600	2.52
4804915	215BNA018****A	CNPV*1917A**	987*A42080V17***	17,700	12.5	15.0	17,700	3.76	8.2	10,500	2.52
4194338	215BNA018****A	CNPV*1917A**	OVLAAB036098	18,000	12.5	15.0	18,000	3.94	8.7	10,700	2.60
4194337	215BNA018****A	CNPV*1917A**	OVMAAB036098	18,000	12.5	15.0	18,000	4.00	8.8	10,800	2.60
3647285	215BNA018****A	CNPV*1917A**+TDR		17,600	11.5	13.0	18,000	3.68	8.2	11,300	2.44
3647039	215BNA018****A	CNPV*2414A**	313*AV024045	17,600	12.5	15.0	18,000	3.84	8.5	10,700	2.56
3646450	215BNA018****A	CNPV*2414A**	315(A,J)AV036070	17,400	12.5	15.0	17,700	3.74	8.1	10,500	2.52
4804917	215BNA018****A	CNPV*2414A**	925*A30040E14***	17,500	11.8	14.2	17,800	3.66	8.2	10,600	2.46
4833661	215BNA018****A	CNPV*2414A**	986*A30040V14***	17,700	11.8	14.2	18,000	3.72	8.2	10,700	2.48
3647286	215BNA018****A	CNPV*2414A**+TDR		17,400	11.2	13.5	18,000	3.66	8.2	11,300	2.42
3646484	215BNA018****A	CNPV*2417A**	315(A,J)AV048090	17,400	12.5	15.0	17,700	3.76	8.1	10,500	2.52
3646691	215BNA018****A	CNPV*2417A**	353(A,B)AV036060	17,600	12.5	15.5	17,900	3.86	8.5	10,600	2.56
3646653	215BNA018****A	CNPV*2417A**	353AAV036040	17,800	12.5	15.5	18,000	3.96	8.7	10,700	2.60
3646846	215BNA018****A	CNPV*2417A**	355(A,C)AV042060	17,400	12.5	15.0	17,700	3.76	8.1	10,500	2.52
3647162	215BNA018****A	CNPV*2417A**	355BAV042060	17,400	12.5	15.0	17,700	3.76	8.1	10,500	2.52

See notes on page 39

215B

COMBINATION RATINGS CONTINUED

AHRI Ref. No.	Model Number	Coil Model Number	Furnace Model Number	Cooling Capacity	EER	SEER	High Temp		HSPF	Low Temp	
							E Capacity	E COP		H Capacity	H COP
4194336	215BNA018****A	CNPV*2417A**	359BAV036040	18,000	12.5	14.5	18,000	3.96	8.7	11,000	2.58
3829818	215BNA018****A	CNPV*2417A**	368RAN036105	18,000	12.5	15.5	18,000	3.94	8.5	10,700	2.60
3829817	215BNA018****A	CNPV*2417A**	374RAN036105	17,800	12.5	15.0	17,800	3.80	8.5	10,600	2.54
4804920	215BNA018****A	CNPV*2417A**	925*A30040E14***	17,500	11.8	14.2	17,800	3.66	8.2	10,600	2.46
4833662	215BNA018****A	CNPV*2417A**	986*A30040V14***	17,700	11.8	14.2	18,000	3.72	8.2	10,700	2.48
4833663	215BNA018****A	CNPV*2417A**	986*A42060V17***	17,800	12.0	14.5	17,900	3.80	8.2	10,600	2.54
4833664	215BNA018****A	CNPV*2417A**	986*A48080V17***	18,000	12.5	15.0	18,000	3.86	8.5	10,700	2.56
4804918	215BNA018****A	CNPV*2417A**	987*A42060V17***	17,700	12.0	14.5	17,800	3.72	8.2	10,500	2.50
4804919	215BNA018****A	CNPV*2417A**	987*A42080V17***	17,600	12.0	14.5	17,700	3.70	8.2	10,500	2.50
4194340	215BNA018****A	CNPV*2417A**	OVLAA036098	18,000	12.5	15.0	18,000	3.88	8.6	10,700	2.56
4194339	215BNA018****A	CNPV*2417A**	OVMAAB036098	18,000	12.5	15.0	18,000	3.92	8.7	10,800	2.58
3647288	215BNA018****A	CNPV*2417A**+TDR		17,400	11.2	13.5	18,000	3.66	8.2	11,300	2.42
3647042	215BNA018****A	CSPH*2412A**	313*AV024045	17,600	12.5	15.0	18,000	3.82	8.5	10,700	2.54
3646454	215BNA018****A	CSPH*2412A**	315(A,J)AV036070	17,400	12.5	15.0	17,700	3.72	8.1	10,500	2.52
3646496	215BNA018****A	CSPH*2412A**	315(A,J)AV048090	17,400	12.5	15.0	17,700	3.76	8.1	10,500	2.52
3646703	215BNA018****A	CSPH*2412A**	353(A,B)AV036060	17,600	12.5	15.5	17,700	3.78	8.2	10,500	2.54
3646665	215BNA018****A	CSPH*2412A**	353AAV036040	17,800	12.5	15.5	18,000	3.90	8.7	10,700	2.60
3646858	215BNA018****A	CSPH*2412A**	355(A,C)AV042060	17,400	12.5	15.0	17,700	3.74	8.1	10,500	2.52
3646890	215BNA018****A	CSPH*2412A**	355(A,C)AV042080	17,500	12.5	15.0	17,700	3.72	8.1	10,500	2.52
3647019	215BNA018****A	CSPH*2412A**	355AAV042040	17,500	12.5	15.0	17,700	3.74	8.2	10,500	2.52
3756404	215BNA018****A	CSPH*2412A**	359BAV036040	18,000	12.2	14.5	18,000	3.94	8.5	11,000	2.58
3756405	215BNA018****A	CSPH*2412A**	359BAV036060	18,000	12.2	14.5	18,000	3.94	8.5	11,000	2.58
3829822	215BNA018****A	CSPH*2412A**	368RAN036105	18,000	12.5	15.5	18,000	3.94	8.5	10,700	2.60
3829821	215BNA018****A	CSPH*2412A**	374RAN036105	17,900	12.5	15.0	17,900	3.78	8.5	10,600	2.54
4804926	215BNA018****A	CSPH*2412A**	925*A30040E14***	17,600	11.8	14.2	17,800	3.62	8.0	10,600	2.44
4833668	215BNA018****A	CSPH*2412A**	986*A30040V14***	17,800	11.8	14.2	18,000	3.68	8.2	10,700	2.46
4833669	215BNA018****A	CSPH*2412A**	986*A42060V17***	17,800	12.0	14.5	17,800	3.72	8.2	10,600	2.50
4833670	215BNA018****A	CSPH*2412A**	986*A48080V17***	17,900	12.5	15.0	17,900	3.78	8.2	10,600	2.52
4804924	215BNA018****A	CSPH*2412A**	987*A42060V17***	17,800	12.0	14.5	17,800	3.72	8.2	10,600	2.50
4804925	215BNA018****A	CSPH*2412A**	987*A42080V17***	17,700	12.0	14.5	17,700	3.70	8.2	10,500	2.50
4194344	215BNA018****A	CSPH*2412A**	OVLAA036098	18,000	12.5	15.0	18,000	3.86	8.5	10,800	2.56
4194343	215BNA018****A	CSPH*2412A**	OVMAAB036098	18,000	12.5	15.0	18,000	3.92	8.7	10,800	2.58
3647313	215BNA018****A	CSPH*2412A**+TDR		17,400	11.2	13.5	18,000	3.68	8.2	11,300	2.44
3829809	215BNA018****A	FB4CNF018		17,700	12.0	14.5	18,000	3.78	8.2	10,700	2.52
3692789	215BNA018****A	FB4CNF018+TXV		17,600	12.5	15.0	18,000	3.78	8.2	10,700	2.52
3829810	215BNA018****A	FB4CNF024		17,700	12.0	14.5	18,000	3.76	8.2	10,700	2.52
3692790	215BNA018****A	FB4CNF024+TXV		17,500	12.5	15.0	18,000	3.78	8.2	10,700	2.52
3647337	215BNA018****A	FE4ANF002+UI		17,700	13.0	15.5	17,800	3.84	8.5	10,500	2.56
3647341	215BNA018****A	FF1ENP018		17,200	11.2	13.0	18,000	3.54	8.0	11,200	2.38
3647342	215BNA018****A	FF1ENP019		17,500	12.0	14.5	18,000	3.76	8.2	10,700	2.52
3647343	215BNA018****A	FF1ENP024		17,400	11.2	13.5	18,000	3.58	8.0	11,200	2.40
3647345	215BNA018****A	FF1ENP025		17,800	12.5	15.0	18,000	3.86	8.5	10,700	2.58
3647384	215BNA018****A	FV4CNF005		17,700	13.0	15.5	17,800	3.84	8.5	10,500	2.56
3647412	215BNA018****A	FX4DNF025		18,000	12.6	15.5	18,000	3.90	8.6	10,700	2.58
3829811	215BNA018****A	FY5BNF018		17,600	11.5	13.5	18,000	3.64	8.2	11,000	2.44
3692778	215BNA018****A	FY5BNF018+TXV		17,400	11.5	14.0	18,000	3.64	8.2	11,000	2.44
3829812	215BNA018****A	FY5BNF024		17,700	11.5	13.5	18,000	3.68	8.2	11,000	2.46
3692779	215BNA018****A	FY5BNF024+TXV		17,400	11.5	14.0	18,000	3.64	8.2	11,000	2.44
4843465	215BNA024****A	1FX4DNF025		24,000	12.5	15.3	24,000	3.96	8.7	14,700	2.68
3647030	215BNA024****A	CAP**2414A**	313*AV024045	23,400	12.5	15.0	24,000	3.84	8.5	14,500	2.64
3646435	215BNA024****A	CAP**2414A**	315(A,J)AV036070	23,400	12.5	15.0	24,000	3.78	8.5	14,100	2.58
4804927	215BNA024****A	CAP**2414A**	925*A30040E14***	23,600	11.5	14.0	24,000	3.74	8.5	15,000	2.54
4833993	215BNA024****A	CAP**2414A**	986*A30040V14***	23,400	11.8	14.2	24,000	3.68	8.2	14,700	2.54
3647231	215BNA024****A	CAP**2414A**+TDR		23,400	11.2	13.5	24,000	3.72	8.3	15,200	2.54
3646464	215BNA024****A	CAP**2417A**	315(A,J)AV048090	23,400	12.5	15.5	24,000	3.84	8.5	14,300	2.64
3646675	215BNA024****A	CAP**2417A**	353(A,B)AV036060	23,400	12.5	15.5	24,000	4.00	8.8	14,600	2.72
3646712	215BNA024****A	CAP**2417A**	353(A,B)AV036080	23,400	12.5	15.5	24,000	3.96	8.7	14,500	2.70
3646637	215BNA024****A	CAP**2417A**	353AAV036040	23,400	12.5	15.5	24,000	3.98	8.7	14,500	2.70
3646830	215BNA024****A	CAP**2417A**	355(A,C)AV042060	23,400	12.5	15.5	24,000	3.92	8.6	14,500	2.68
3647155	215BNA024****A	CAP**2417A**	355BAV042060	23,400	12.5	15.5	24,000	3.92	8.6	14,500	2.68
3829828	215BNA024****A	CAP**2417A**	368RAN036105	23,800	12.5	15.0	24,000	3.90	8.5	14,500	2.66
3829827	215BNA024****A	CAP**2417A**	374RAN036105	23,400	12.5	15.0	24,000	3.80	8.5	14,100	2.60
4804930	215BNA024****A	CAP**2417A**	925*A30040E14***	23,600	11.5	14.0	24,000	3.76	8.5	15,000	2.56
4804931	215BNA024****A	CAP**2417A**	925*A42060E17***	23,600	12.5	15.2	24,000	3.82	8.5	14,400	2.62
4833994	215BNA024****A	CAP**2417A**	986*A30040V14***	23,400	11.8	14.2	24,000	3.70	8.2	14,700	2.54
4833995	215BNA024****A	CAP**2417A**	986*A42060V17***	23,600	12.5	15.2	24,000	3.78	8.5	14,400	2.60
4833996	215BNA024****A	CAP**2417A**	986*A48080V17***	23,600	12.5	15.2	24,000	3.82	8.5	14,400	2.64
4804928	215BNA024****A	CAP**2417A**	987*A42060V17***	23,400	12.5	15.2	24,000	3.78	8.5	14,400	2.60
4804929	215BNA024****A	CAP**2417A**	987*A42080V17***	23,400	12.5	15.2	24,000	3.76	8.5	14,100	2.56
4194346	215BNA024****A	CAP**2417A**	OVLAA036098	23,800	12.5	15.0	24,000	3.88	8.5	14,500	2.66
4194345	215BNA024****A	CAP**2417A**	OVMAAB036098	23,800	12.5	15.0	24,000	3.86	8.5	14,600	2.64
3647233	215BNA024****A	CAP**2417A**+TDR		23,400	11.2	13.5	24,000	3.72	8.3	15,200	2.54
3647031	215BNA024****A	CAP**3014A**	313*AV024045	23,400	12.5	15.3	24,000	3.88	8.7	14,600	2.66
3646436	215BNA024****A	CAP**3014A**	315(A,J)AV036070	23,400	12.5	15.5	24,000	3.82	8.5	14,400	2.64
4804932	215BNA024****A	CAP**3014A**	925*A30040E14***	23,800	11.5	14.0	24,000	3.78	8.5	15,100	2.58
4833997	215BNA024****A	CAP**3014A**	986*A30040V14***	23,600	11.9	14.5	24,000	3.72	8.5	14,800	2.56
3647234	215BNA024****A	CAP**3014A**+TDR		23,400	11.2	13.5	24,000	3.74	8.3	15,200	2.56
3646465	215BNA024****A	CAP**3017A**	315(A,J)AV048090	23,400	12.5	15.5	24,000	3.86	8.5	14,400	2.68

See notes on page 39

COMBINATION RATINGS CONTINUED

AHRI Ref. No.	Model Number	Coil Model Number	Furnace Model Number	Cooling Capacity	EER	SEER	High Temp		HSPF	Low Temp	
							E Capacity	E COP		H Capacity	H COP
3646676	215BNA024****A	CAP**3017A**	353(A,B)AV036060	23,400	12.5	15.5	24,000	4.06	9.0	14,600	2.76
3646713	215BNA024****A	CAP**3017A**	353(A,B)AV036080	23,400	12.5	15.5	24,000	4.00	9.0	14,500	2.72
3646638	215BNA024****A	CAP**3017A**	353AAV036040	23,400	12.5	15.5	24,000	4.04	9.0	14,600	2.74
3646831	215BNA024****A	CAP**3017A**	355(A,C)AV042060	23,400	12.5	15.5	24,000	3.94	8.7	14,500	2.70
3647156	215BNA024****A	CAP**3017A**	355BAV042060	23,400	12.5	15.5	24,000	3.94	8.7	14,500	2.70
3829830	215BNA024****A	CAP**3017A**	368RAN036105	24,000	12.5	15.0	24,000	3.92	8.5	14,500	2.70
3829829	215BNA024****A	CAP**3017A**	374RAN036105	23,600	12.5	15.0	24,000	3.82	8.5	14,300	2.64
4804935	215BNA024****A	CAP**3017A**	925*A30040E14***	24,000	11.7	14.2	24,000	3.80	8.5	15,100	2.58
4804936	215BNA024****A	CAP**3017A**	925*A42060E17***	23,800	12.7	15.5	24,000	3.86	8.8	14,500	2.66
4833998	215BNA024****A	CAP**3017A**	986*A30040V14***	23,600	12.0	14.5	24,000	3.74	8.5	14,800	2.58
4833999	215BNA024****A	CAP**3017A**	986*A42060V17***	23,800	12.5	15.2	24,000	3.84	8.5	14,500	2.64
4834000	215BNA024****A	CAP**3017A**	986*A48080V17***	24,000	12.7	15.5	24,000	3.90	8.8	14,500	2.68
4804933	215BNA024****A	CAP**3017A**	987*A42060V17***	23,600	12.5	15.2	24,000	3.82	8.5	14,500	2.64
4804934	215BNA024****A	CAP**3017A**	987*A42080V17***	23,600	12.6	15.5	24,000	3.78	8.5	14,400	2.62
4194348	215BNA024****A	CAP**3017A**	OVLAAB036098	24,000	12.5	15.0	24,000	3.92	8.8	14,500	2.68
4194347	215BNA024****A	CAP**3017A**	OVMAAB036098	24,000	12.5	15.0	24,000	3.90	8.8	14,600	2.68
3647236	215BNA024****A	CAP**3017A**+TDR		23,400	11.2	13.5	24,000	3.74	8.3	15,200	2.56
3646623	215BNA024****A	CAP**3619A**	359BAV036040	24,000	12.5	15.0	24,000	3.94	8.7	14,700	2.68
3646626	215BNA024****A	CAP**3619A**	359BAV036060	24,000	12.5	15.0	24,000	4.02	8.8	14,800	2.70
3647034	215BNA024****A	CNPH*2417A**	313*AV024045	23,400	12.0	15.0	24,000	3.90	8.5	14,500	2.64
3646441	215BNA024****A	CNPH*2417A**	315(A,J)AV036070	23,400	12.5	15.0	24,000	3.86	8.5	14,400	2.62
3646472	215BNA024****A	CNPH*2417A**	315(A,J)AV048090	23,400	12.5	15.0	24,000	3.90	8.5	14,400	2.66
3646515	215BNA024****A	CNPH*2417A**	315(A,J)AV060110	23,400	12.5	15.0	24,000	3.88	8.5	14,500	2.64
3646553	215BNA024****A	CNPH*2417A**	315(A,J)AV066135	23,400	12.5	15.0	24,000	3.88	8.5	14,400	2.64
3646591	215BNA024****A	CNPH*2417A**	315(A,J)AV066155	23,400	12.5	15.0	24,000	3.90	8.5	14,400	2.64
3646682	215BNA024****A	CNPH*2417A**	353(A,B)AV036060	23,400	12.5	15.5	24,000	4.00	8.7	14,600	2.70
3646718	215BNA024****A	CNPH*2417A**	353(A,B)AV036080	23,400	12.5	15.5	24,000	4.08	8.7	14,500	2.68
3646644	215BNA024****A	CNPH*2417A**	353AAV036040	23,400	12.5	15.5	24,000	3.98	8.7	14,500	2.68
3646837	215BNA024****A	CNPH*2417A**	355(A,C)AV042060	23,400	12.5	15.0	24,000	3.96	8.6	14,600	2.68
3646873	215BNA024****A	CNPH*2417A**	355(A,C)AV042080	23,400	12.5	15.0	24,000	3.86	8.5	14,400	2.64
3646906	215BNA024****A	CNPH*2417A**	355(A,C)AV060080	23,200	12.5	15.0	24,000	3.80	8.5	14,100	2.58
3646941	215BNA024****A	CNPH*2417A**	355(A,C)AV060100	23,400	12.5	15.0	24,000	3.88	8.5	14,400	2.64
3646975	215BNA024****A	CNPH*2417A**	355(A,C)AV060120	23,400	12.5	15.0	24,000	3.92	8.6	14,500	2.66
3647008	215BNA024****A	CNPH*2417A**	355AAV042040	23,400	12.5	15.0	24,000	3.88	8.5	14,500	2.64
3756406	215BNA024****A	CNPH*2417A**	359BAV036040	23,600	12.2	14.5	24,000	3.88	8.5	14,700	2.62
3756407	215BNA024****A	CNPH*2417A**	359BAV036060	23,800	12.2	14.5	24,000	3.92	8.6	14,800	2.64
3829838	215BNA024****A	CNPH*2417A**	368RAN036105	23,800	12.5	15.0	24,000	3.96	8.5	14,500	2.68
3829837	215BNA024****A	CNPH*2417A**	374RAN036105	23,400	12.5	15.0	24,000	3.84	8.5	14,400	2.62
4804955	215BNA024****A	CNPH*2417A**	925*A30040E14***	23,600	11.5	14.0	24,000	3.80	8.5	15,100	2.56
4804956	215BNA024****A	CNPH*2417A**	925*A42060E17***	23,400	12.4	15.2	24,000	3.82	8.5	14,400	2.62
4834012	215BNA024****A	CNPH*2417A**	986*A30040V14***	23,200	11.8	14.2	24,000	3.74	8.5	14,700	2.54
4834013	215BNA024****A	CNPH*2417A**	986*A42060V17***	23,400	12.4	15.0	24,000	3.80	8.5	14,400	2.60
4834014	215BNA024****A	CNPH*2417A**	986*A48080V17***	23,400	12.5	15.2	24,000	3.84	8.5	14,400	2.62
4834015	215BNA024****A	CNPH*2417A**	986*A48100V21***	23,200	12.4	15.2	24,000	3.76	8.2	14,000	2.54
4834016	215BNA024****A	CNPH*2417A**	986*A66120V24***	23,400	12.5	15.2	24,000	3.84	8.5	14,400	2.62
4804951	215BNA024****A	CNPH*2417A**	987*A42060V17***	23,400	12.3	15.0	24,000	3.84	8.5	14,500	2.62
4804952	215BNA024****A	CNPH*2417A**	987*A42080V17***	23,400	12.5	15.2	24,000	3.82	8.5	14,400	2.60
4804953	215BNA024****A	CNPH*2417A**	987*A60100V21***	23,800	12.5	15.2	24,000	3.82	8.8	14,600	2.64
4804954	215BNA024****A	CNPH*2417A**	987*A66120V24***	23,600	12.5	15.2	24,000	3.92	8.8	14,500	2.64
4194357	215BNA024****A	CNPH*2417A**	OVLAAB036098	23,800	12.0	15.0	24,000	3.92	8.8	14,600	2.66
4194356	215BNA024****A	CNPH*2417A**	OVMAAB036098	23,800	12.0	15.0	24,000	3.92	8.8	14,700	2.64
3647271	215BNA024****A	CNPH*2417A**+TDR		23,400	11.2	13.5	24,000	3.80	8.3	15,200	2.54
3647035	215BNA024****A	CNPH*3017A**	313*AV024045	23,400	12.5	15.3	24,000	3.92	8.7	14,600	2.68
3646442	215BNA024****A	CNPH*3017A**	315(A,J)AV036070	23,400	12.5	15.5	24,000	3.84	8.5	14,400	2.66
3646473	215BNA024****A	CNPH*3017A**	315(A,J)AV048090	23,400	12.5	15.5	24,000	3.88	8.5	14,400	2.68
3646516	215BNA024****A	CNPH*3017A**	315(A,J)AV060110	23,400	12.5	15.5	24,000	3.86	8.5	14,400	2.66
3646554	215BNA024****A	CNPH*3017A**	315(A,J)AV066135	23,400	12.5	15.5	24,000	3.88	8.5	14,400	2.68
3646592	215BNA024****A	CNPH*3017A**	315(A,J)AV066155	23,400	12.5	15.5	24,000	3.88	8.5	14,400	2.68
3646683	215BNA024****A	CNPH*3017A**	353(A,B)AV036060	23,400	12.5	15.5	24,000	4.06	9.0	14,600	2.74
3646719	215BNA024****A	CNPH*3017A**	353(A,B)AV036080	23,400	12.5	15.5	24,000	4.00	9.0	14,600	2.72
3646645	215BNA024****A	CNPH*3017A**	353AAV036040	23,400	12.5	15.5	24,000	4.04	9.0	14,600	2.74
3646838	215BNA024****A	CNPH*3017A**	355(A,C)AV042060	23,400	12.5	15.5	24,000	3.96	8.7	14,500	2.70
3646874	215BNA024****A	CNPH*3017A**	355(A,C)AV042080	23,400	12.5	15.5	24,000	3.84	8.5	14,400	2.66
3646907	215BNA024****A	CNPH*3017A**	355(A,C)AV060080	23,400	12.5	15.5	24,000	3.78	8.5	14,000	2.60
3646942	215BNA024****A	CNPH*3017A**	355(A,C)AV060100	23,400	12.5	15.5	24,000	3.86	8.5	14,400	2.66
3646976	215BNA024****A	CNPH*3017A**	355(A,C)AV060120	23,400	12.5	15.5	24,000	3.90	8.6	14,400	2.68
3647009	215BNA024****A	CNPH*3017A**	355AAV042040	23,400	12.5	15.5	24,000	3.86	8.5	14,400	2.66
3756408	215BNA024****A	CNPH*3017A**	359BAV036040	24,000	12.2	15.0	24,000	3.90	8.6	14,700	2.66
3756409	215BNA024****A	CNPH*3017A**	359BAV036060	24,000	12.5	15.0	24,000	3.98	8.7	14,800	2.70
3829840	215BNA024****A	CNPH*3017A**	368RAN036105	24,000	12.5	15.0	24,000	3.94	8.5	14,500	2.70
3829839	215BNA024****A	CNPH*3017A**	374RAN036105	23,600	12.5	15.0	24,000	3.84	8.5	14,300	2.66
4804961	215BNA024****A	CNPH*3017A**	925*A30040E14***	24,000	11.7	14.2	24,000	3.80	8.5	15,100	2.58
4804962	215BNA024****A	CNPH*3017A**	925*A42060E17***	23,800	12.7	15.5	24,000	3.86	8.8	14,500	2.66
4834017	215BNA024****A	CNPH*3017A**	986*A30040V14***	23,600	12.0	14.5	24,000	3.74	8.5	14,800	2.58
4834018	215BNA024****A	CNPH*3017A**	986*A42060V17***	23,800	12.5	15.2	24,000	3.84	8.5	14,500	2.64
4834019	215BNA024****A	CNPH*3017A**	986*A48080V17***	24,000	12.7	15.5	24,000	3.90	8.8	14,500	2.68
4834020	215BNA024****A	CNPH*3017A**	986*A48100V21***	23,800	12.7	15.5	24,000	3.84	8.5	14,400	2.66
4834021	215BNA024****A	CNPH*3017A**	986*A66120V24***	24,000	12.7	15.5	24,000	3.94	8.8	14,500	2.70
4804957	215BNA024****A	CNPH*3017A**	987*A42060V17***	23,600	12.5	15.2	24,000	3.82	8.5	14,500	2.64

See notes on page 39

215B

COMBINATION RATINGS CONTINUED

AHRI Ref. No.	Model Number	Coil Model Number	Furnace Model Number	Cooling Capacity	EER	SEER	High Temp		HSPF	Low Temp	
							E Capacity	E COP		H Capacity	H COP
4804958	215BNA024****A	CNPH*3017A**	987*A42080V17***	23,600	12.7	15.5	24,000	3.80	8.5	14,400	2.64
4804959	215BNA024****A	CNPH*3017A**	987*A60100V21***	24,000	12.7	15.5	24,000	3.90	8.8	14,500	2.68
4804960	215BNA024****A	CNPH*3017A**	987*A66120V24***	23,800	12.7	15.5	24,000	3.90	8.8	14,500	2.68
4194359	215BNA024****A	CNPH*3017A**	OVLAAB036098	24,000	12.5	15.0	24,000	3.92	8.8	14,500	2.68
4194358	215BNA024****A	CNPH*3017A**	OVMAAB036098	24,000	12.5	15.0	24,000	3.90	8.8	14,600	2.68
3647272	215BNA024****A	CNPH*3017A**+TDR		23,400	11.2	13.5	24,000	3.76	8.3	15,200	2.56
3756410	215BNA024****A	CNPH*3117A**	359BAV036040	24,000	12.5	15.0	24,000	4.08	8.9	14,800	2.72
3756411	215BNA024****A	CNPH*3117A**	359BAV036060	24,000	12.5	15.0	24,000	4.18	9.0	14,900	2.76
3829842	215BNA024****A	CNPH*3117A**	368RAN036105	24,000	12.5	15.0	24,000	4.10	8.5	14,600	2.76
3829841	215BNA024****A	CNPH*3117A**	374RAN036105	24,000	12.5	15.0	24,000	4.00	8.5	14,400	2.72
4804967	215BNA024****A	CNPH*3117A**	925*A30040E14***	24,000	12.0	14.5	24,000	3.98	9.0	15,200	2.64
4804968	215BNA024****A	CNPH*3117A**	925*A42060E17***	24,000	12.7	15.5	24,000	4.04	9.0	14,600	2.72
4834022	215BNA024****A	CNPH*3117A**	986*A30040V14***	24,000	12.0	14.5	24,000	3.92	8.8	14,900	2.62
4834023	215BNA024****A	CNPH*3117A**	986*A42060V17***	24,000	12.7	15.5	24,000	4.02	9.0	14,600	2.70
4834024	215BNA024****A	CNPH*3117A**	986*A48080V17***	24,000	12.7	15.5	24,000	4.08	9.0	14,600	2.74
4834025	215BNA024****A	CNPH*3117A**	986*A48100V21***	24,000	12.7	15.5	24,000	4.04	9.0	14,500	2.72
4834026	215BNA024****A	CNPH*3117A**	986*A66120V24***	24,000	13.0	16.0	24,000	4.16	9.0	14,700	2.76
4804963	215BNA024****A	CNPH*3117A**	987*A42060V17***	24,000	12.7	15.5	24,000	3.98	8.8	14,600	2.70
4804964	215BNA024****A	CNPH*3117A**	987*A42080V17***	24,000	12.7	15.5	24,000	3.96	8.8	14,400	2.68
4804965	215BNA024****A	CNPH*3117A**	987*A60100V21***	24,000	12.7	15.5	24,000	4.08	9.0	14,600	2.74
4804966	215BNA024****A	CNPH*3117A**	987*A66120V24***	24,000	12.7	15.5	24,000	4.06	9.0	14,600	2.72
3647040	215BNA024****A	CNPV*2414A**	313*AV024045	23,400	12.5	15.0	24,000	3.90	8.5	14,500	2.64
3646451	215BNA024****A	CNPV*2414A**	315(A,J)AV036070	23,400	12.5	15.0	24,000	3.86	8.5	14,400	2.62
4804937	215BNA024****A	CNPV*2414A**	925*A30040E14***	23,600	11.5	14.0	24,000	3.80	8.5	15,100	2.56
4834001	215BNA024****A	CNPV*2414A**	986*A30040V14***	23,200	11.8	14.2	24,000	3.74	8.5	14,700	2.54
3647287	215BNA024****A	CNPV*2414A**+TDR		23,400	11.2	13.5	24,000	3.80	8.3	15,200	2.54
3646485	215BNA024****A	CNPV*2417A**	315(A,J)AV048090	23,400	12.5	15.0	24,000	3.90	8.5	14,400	2.66
3646692	215BNA024****A	CNPV*2417A**	353(A,B)AV036060	23,400	12.5	15.5	24,000	4.00	8.7	14,600	2.70
3646726	215BNA024****A	CNPV*2417A**	353(A,B)AV036080	23,400	12.5	15.5	24,000	3.98	8.7	14,500	2.68
3646654	215BNA024****A	CNPV*2417A**	353AAV036040	23,400	12.5	15.5	24,000	3.98	8.7	14,500	2.68
3646847	215BNA024****A	CNPV*2417A**	355(A,C)AV042060	23,400	12.5	15.0	24,000	3.96	8.6	14,600	2.68
3647163	215BNA024****A	CNPV*2417A**	355BAV042060	23,400	12.5	15.0	24,000	3.96	8.6	14,600	2.68
4194349	215BNA024****A	CNPV*2417A**	359BAV036040	23,600	12.0	14.5	24,000	3.88	8.7	14,700	2.62
3829832	215BNA024****A	CNPV*2417A**	368RAN036105	23,800	12.5	15.0	24,000	3.96	8.5	14,500	2.68
3829831	215BNA024****A	CNPV*2417A**	374RAN036105	23,400	12.5	15.0	24,000	3.84	8.5	14,400	2.62
4804940	215BNA024****A	CNPV*2417A**	925*A30040E14***	23,600	11.5	14.0	24,000	3.80	8.5	15,100	2.56
4804941	215BNA024****A	CNPV*2417A**	925*A42060E17***	23,400	12.4	15.2	24,000	3.82	8.5	14,400	2.62
4834002	215BNA024****A	CNPV*2417A**	986*A30040V14***	23,200	11.8	14.2	24,000	3.74	8.5	14,700	2.54
4834003	215BNA024****A	CNPV*2417A**	986*A42060V17***	23,400	12.4	15.0	24,000	3.80	8.5	14,400	2.60
4834004	215BNA024****A	CNPV*2417A**	986*A48080V17***	23,400	12.5	15.2	24,000	3.84	8.5	14,400	2.62
4804938	215BNA024****A	CNPV*2417A**	987*A42060V17***	23,400	12.3	15.0	24,000	3.84	8.5	14,500	2.62
4804939	215BNA024****A	CNPV*2417A**	987*A42080V17***	23,400	12.5	15.2	24,000	3.82	8.5	14,400	2.60
4194353	215BNA024****A	CNPV*2417A**	OVLAAB036098	23,800	12.0	15.0	24,000	3.92	8.8	14,600	2.66
4194352	215BNA024****A	CNPV*2417A**	OVMAAB036098	23,800	12.0	15.0	24,000	3.92	8.8	14,700	2.64
3647289	215BNA024****A	CNPV*2417A**+TDR		23,400	11.2	13.5	24,000	3.80	8.3	15,200	2.54
3647041	215BNA024****A	CNPV*3014A**	313*AV024045	23,400	12.5	15.3	24,000	3.86	8.7	14,600	2.66
3646452	215BNA024****A	CNPV*3014A**	315(A,J)AV036070	23,400	12.5	15.5	24,000	3.82	8.5	14,400	2.64
4804942	215BNA024****A	CNPV*3014A**	925*A30040E14***	23,800	11.5	14.0	24,000	3.76	8.5	15,100	2.56
4834005	215BNA024****A	CNPV*3014A**	986*A30040V14***	23,400	11.8	14.2	24,000	3.70	8.5	14,800	2.56
3647290	215BNA024****A	CNPV*3014A**+TDR		23,400	11.2	13.5	24,000	3.76	8.3	15,200	2.56
3646486	215BNA024****A	CNPV*3017A**	315(A,J)AV048090	23,400	12.5	15.5	24,000	3.88	8.5	14,400	2.68
3646693	215BNA024****A	CNPV*3017A**	353(A,B)AV036060	23,400	12.5	15.5	24,000	4.06	9.0	14,600	2.74
3646727	215BNA024****A	CNPV*3017A**	353(A,B)AV036080	23,400	12.5	15.5	24,000	4.00	9.0	14,600	2.72
3646655	215BNA024****A	CNPV*3017A**	353AAV036040	23,400	12.5	15.5	24,000	4.04	9.0	14,600	2.74
3646848	215BNA024****A	CNPV*3017A**	355(A,C)AV042060	23,400	12.5	15.5	24,000	3.96	8.7	14,500	2.70
3647164	215BNA024****A	CNPV*3017A**	355BAV042060	23,400	12.5	15.5	24,000	3.96	8.7	14,500	2.70
4194350	215BNA024****A	CNPV*3017A**	359BAV036040	24,000	12.0	15.0	24,000	3.90	8.8	14,700	2.66
4194351	215BNA024****A	CNPV*3017A**	359BAV036060	24,000	12.5	15.0	24,000	3.98	8.5	14,800	2.70
3829834	215BNA024****A	CNPV*3017A**	368RAN036105	24,000	12.5	15.0	24,000	3.94	8.5	14,500	2.70
3829833	215BNA024****A	CNPV*3017A**	374RAN036105	23,600	12.5	15.0	24,000	3.84	8.5	14,300	2.66
4804945	215BNA024****A	CNPV*3017A**	925*A30040E14***	24,000	11.7	14.2	24,000	3.80	8.5	15,100	2.58
4804946	215BNA024****A	CNPV*3017A**	925*A42060E17***	23,800	12.7	15.5	24,000	3.86	8.8	14,500	2.66
4834006	215BNA024****A	CNPV*3017A**	986*A30040V14***	23,600	12.0	14.5	24,000	3.74	8.5	14,800	2.58
4834007	215BNA024****A	CNPV*3017A**	986*A42060V17***	23,800	12.5	15.2	24,000	3.84	8.5	14,500	2.64
4834008	215BNA024****A	CNPV*3017A**	986*A48080V17***	24,000	12.7	15.5	24,000	3.90	8.8	14,500	2.68
4804943	215BNA024****A	CNPV*3017A**	987*A42060V17***	23,600	12.5	15.2	24,000	3.82	8.5	14,500	2.64
4804944	215BNA024****A	CNPV*3017A**	987*A42080V17***	23,600	12.7	15.5	24,000	3.80	8.5	14,400	2.64
4194355	215BNA024****A	CNPV*3017A**	OVLAAB036098	24,000	12.5	15.0	24,000	3.92	8.8	14,500	2.68
4194354	215BNA024****A	CNPV*3017A**	OVMAAB036098	24,000	12.5	15.0	24,000	3.90	8.8	14,600	2.68
3647292	215BNA024****A	CNPV*3017A**+TDR		23,400	11.2	13.5	24,000	3.76	8.3	15,200	2.56
3646488	215BNA024****A	CNPV*3117A**	315(A,J)AV048090	23,400	13.0	16.0	24,000	4.04	9.0	14,400	2.74
3646695	215BNA024****A	CNPV*3117A**	353(A,B)AV036060	23,400	13.0	16.0	24,000	4.28	9.0	14,700	2.82
3646729	215BNA024****A	CNPV*3117A**	353(A,B)AV036080	23,400	13.0	16.0	24,000	4.20	9.0	14,700	2.80
3646657	215BNA024****A	CNPV*3117A**	353AAV036040	23,400	13.0	16.0	24,000	4.24	9.0	14,700	2.80
3646850	215BNA024****A	CNPV*3117A**	355(A,C)AV042060	23,400	13.0	16.0	24,000	4.14	9.0	14,600	2.76
3647166	215BNA024****A	CNPV*3117A**	355BAV042060	23,400	13.0	16.0	24,000	4.14	9.0	14,600	2.76
3829836	215BNA024****A	CNPV*3117A**	368RAN036105	24,000	12.5	15.0	24,000	4.10	8.5	14,600	2.76
3829835	215BNA024****A	CNPV*3117A**	374RAN036105	24,000	12.5	15.0	24,000	4.00	8.5	14,500	2.72
4804949	215BNA024****A	CNPV*3117A**	925*A30040E14***	24,000	11.9	14.5	24,000	3.88	8.8	15,200	2.64

See notes on page 39

COMBINATION RATINGS CONTINUED

AHRI Ref. No.	Model Number	Coil Model Number	Furnace Model Number	Cooling Capacity	EER	SEER	High Temp		HSPF	Low Temp	
							E Capacity	E COP		H Capacity	H COP
4804950	215BNA024****A	CNPV*3117A**	925*A42060E17***	24,000	12.7	15.5	24,000	4.04	9.0	14,600	2.72
4834009	215BNA024****A	CNPV*3117A**	986*A30040V14***	24,000	12.0	14.5	24,000	3.92	8.8	14,900	2.62
4834010	215BNA024****A	CNPV*3117A**	986*A42060V17***	24,000	12.7	15.5	24,000	4.02	9.0	14,600	2.70
4834011	215BNA024****A	CNPV*3117A**	986*A48080V17***	24,000	12.7	15.5	24,000	4.08	9.0	14,600	2.74
4804947	215BNA024****A	CNPV*3117A**	987*A42060V17***	24,000	12.7	15.5	24,000	3.98	8.8	14,600	2.68
4804948	215BNA024****A	CNPV*3117A**	987*A42080V17***	24,000	12.7	15.5	24,000	3.96	8.8	14,500	2.68
3647043	215BNA024****A	CSPH*2412A**	313*AV024045	23,400	12.5	15.0	24,000	3.88	8.5	14,600	2.64
3646455	215BNA024****A	CSPH*2412A**	315(A,J)AV036070	23,400	12.5	15.0	24,000	3.84	8.5	14,500	2.64
3646497	215BNA024****A	CSPH*2412A**	315(A,J)AV048090	23,400	12.5	15.5	24,000	3.88	8.5	14,400	2.66
3646536	215BNA024****A	CSPH*2412A**	315(A,J)AV060110	23,400	12.5	15.0	24,000	3.86	8.5	14,500	2.64
3646574	215BNA024****A	CSPH*2412A**	315(A,J)AV066135	23,400	12.5	15.0	24,000	3.88	8.5	14,500	2.66
3646612	215BNA024****A	CSPH*2412A**	315(A,J)AV066155	23,400	12.5	15.0	24,000	3.88	8.5	14,500	2.66
3646704	215BNA024****A	CSPH*2412A**	353(A,B)AV036060	23,400	12.5	15.5	24,000	3.98	8.7	14,600	2.70
3646737	215BNA024****A	CSPH*2412A**	353(A,B)AV036080	23,400	12.5	15.5	24,000	3.94	8.6	14,500	2.68
3646666	215BNA024****A	CSPH*2412A**	353AAV036040	23,400	12.5	15.5	24,000	3.96	8.7	14,500	2.68
3646859	215BNA024****A	CSPH*2412A**	355(A,C)AV042060	23,400	12.5	15.0	24,000	3.96	8.6	14,600	2.68
3646891	215BNA024****A	CSPH*2412A**	355(A,C)AV042080	23,400	12.5	15.0	24,000	3.84	8.5	14,500	2.64
3646924	215BNA024****A	CSPH*2412A**	355(A,C)AV060080	23,400	12.5	15.0	24,000	3.80	8.5	14,100	2.58
3646960	215BNA024****A	CSPH*2412A**	355(A,C)AV060100	23,400	12.5	15.0	24,000	3.86	8.5	14,400	2.66
3646993	215BNA024****A	CSPH*2412A**	355(A,C)AV060120	23,400	12.5	15.0	24,000	3.92	8.6	14,500	2.68
3647020	215BNA024****A	CSPH*2412A**	355AAV042040	23,400	12.5	15.0	24,000	3.86	8.5	14,500	2.64
3756412	215BNA024****A	CSPH*2412A**	359BAV036040	23,600	12.2	14.5	24,000	3.86	8.5	14,700	2.62
3756413	215BNA024****A	CSPH*2412A**	359BAV036060	23,800	12.2	14.5	24,000	3.90	8.6	14,800	2.64
3829844	215BNA024****A	CSPH*2412A**	368RAN036105	24,000	12.5	15.0	24,000	3.96	8.5	14,600	2.68
3829843	215BNA024****A	CSPH*2412A**	374RAN036105	23,600	12.5	15.0	24,000	3.82	8.5	14,500	2.62
4804973	215BNA024****A	CSPH*2412A**	925*A30040E14***	23,800	11.5	14.0	24,000	3.80	8.5	15,100	2.56
4804974	215BNA024****A	CSPH*2412A**	925*A42060E17***	23,600	12.5	15.2	24,000	3.78	8.5	14,400	2.60
4834027	215BNA024****A	CSPH*2412A**	986*A30040V14***	23,400	11.8	14.2	24,000	3.70	8.2	14,800	2.54
4834028	215BNA024****A	CSPH*2412A**	986*A42060V17***	23,600	12.5	15.2	24,000	3.76	8.5	14,200	2.56
4834029	215BNA024****A	CSPH*2412A**	986*A48080V17***	23,600	12.5	15.2	24,000	3.80	8.5	14,400	2.62
4834030	215BNA024****A	CSPH*2412A**	986*A48100V21***	23,200	12.5	15.2	24,000	3.70	8.2	14,000	2.54
4834031	215BNA024****A	CSPH*2412A**	986*A66120V24***	23,600	12.5	15.2	24,000	3.78	8.5	14,100	2.58
4804969	215BNA024****A	CSPH*2412A**	987*A42060V17***	23,800	12.4	15.2	24,000	3.82	8.5	14,600	2.62
4804970	215BNA024****A	CSPH*2412A**	987*A42080V17***	23,600	12.5	15.2	24,000	3.80	8.5	14,400	2.62
4804971	215BNA024****A	CSPH*2412A**	987*A60100V21***	24,000	12.5	15.2	24,000	3.92	8.8	14,600	2.66
4804972	215BNA024****A	CSPH*2412A**	987*A66120V24***	24,000	12.5	15.2	24,000	3.90	8.8	14,600	2.66
4194361	215BNA024****A	CSPH*2412A**	OVLAAB036098	24,000	12.5	15.0	24,000	3.92	8.8	14,700	2.66
4194360	215BNA024****A	CSPH*2412A**	OVMAAB036098	24,000	12.0	15.0	24,000	3.92	8.8	14,700	2.66
3647314	215BNA024****A	CSPH*2412A**+TDR		23,400	11.2	13.5	24,000	3.82	8.3	15,300	2.56
3647044	215BNA024****A	CSPH*3012A**	313*AV024045	23,400	12.5	15.3	24,000	3.90	8.7	14,600	2.66
3646456	215BNA024****A	CSPH*3012A**	315(A,J)AV036070	23,400	12.5	15.5	24,000	3.82	8.5	14,400	2.64
3646498	215BNA024****A	CSPH*3012A**	315(A,J)AV048090	23,400	12.5	15.5	24,000	3.86	8.5	14,400	2.66
3646537	215BNA024****A	CSPH*3012A**	315(A,J)AV060110	23,400	12.5	15.5	24,000	3.86	8.5	14,400	2.66
3646575	215BNA024****A	CSPH*3012A**	315(A,J)AV066135	23,400	12.5	15.5	24,000	3.86	8.5	14,400	2.66
3646613	215BNA024****A	CSPH*3012A**	315(A,J)AV066155	23,400	12.5	15.5	24,000	3.88	8.5	14,400	2.66
3646705	215BNA024****A	CSPH*3012A**	353(A,B)AV036060	23,400	12.5	15.5	24,000	4.02	9.0	14,600	2.74
3646738	215BNA024****A	CSPH*3012A**	353(A,B)AV036080	23,400	12.5	15.5	24,000	3.98	9.0	14,500	2.72
3646667	215BNA024****A	CSPH*3012A**	353AAV036040	23,400	12.5	15.5	24,000	4.00	9.0	14,600	2.72
3646860	215BNA024****A	CSPH*3012A**	355(A,C)AV042060	23,400	12.5	15.5	24,000	3.96	8.7	14,500	2.70
3646892	215BNA024****A	CSPH*3012A**	355(A,C)AV042080	23,400	12.5	15.5	24,000	3.84	8.5	14,400	2.64
3646925	215BNA024****A	CSPH*3012A**	355(A,C)AV060080	23,400	12.5	15.5	24,000	3.78	8.5	14,000	2.60
3646961	215BNA024****A	CSPH*3012A**	355(A,C)AV060100	23,400	12.5	15.5	24,000	3.86	8.5	14,400	2.66
3646994	215BNA024****A	CSPH*3012A**	355(A,C)AV060120	23,400	12.5	15.5	24,000	3.90	8.6	14,400	2.68
3647021	215BNA024****A	CSPH*3012A**	355AAV042040	23,400	12.5	15.5	24,000	3.84	8.5	14,500	2.66
3756414	215BNA024****A	CSPH*3012A**	359BAV036040	24,000	12.2	15.0	24,000	3.88	8.6	14,700	2.66
3756415	215BNA024****A	CSPH*3012A**	359BAV036060	24,000	12.5	15.0	24,000	3.96	8.7	14,800	2.68
3829846	215BNA024****A	CSPH*3012A**	368RAN036105	24,000	12.5	15.0	24,000	3.94	8.5	14,500	2.70
3829845	215BNA024****A	CSPH*3012A**	374RAN036105	23,800	12.5	15.0	24,000	3.82	8.5	14,400	2.64
4804979	215BNA024****A	CSPH*3012A**	925*A30040E14***	24,000	11.8	14.2	24,000	3.86	8.5	15,100	2.58
4804980	215BNA024****A	CSPH*3012A**	925*A42060E17***	23,800	12.7	15.5	24,000	3.88	8.8	14,500	2.66
4834032	215BNA024****A	CSPH*3012A**	986*A30040V14***	23,600	12.0	14.5	24,000	3.78	8.5	14,800	2.58
4834033	215BNA024****A	CSPH*3012A**	986*A42060V17***	23,800	12.5	15.2	24,000	3.86	8.5	14,500	2.64
4834034	215BNA024****A	CSPH*3012A**	986*A48080V17***	24,000	12.7	15.5	24,000	3.90	8.8	14,500	2.66
4834035	215BNA024****A	CSPH*3012A**	986*A48100V21***	23,800	12.7	15.5	24,000	3.84	8.5	14,400	2.64
4834036	215BNA024****A	CSPH*3012A**	986*A66120V24***	24,000	12.7	15.5	24,000	3.94	8.8	14,500	2.68
4804975	215BNA024****A	CSPH*3012A**	987*A42060V17***	23,800	12.5	15.2	24,000	3.88	8.5	14,500	2.64
4804976	215BNA024****A	CSPH*3012A**	987*A42080V17***	23,800	12.7	15.5	24,000	3.84	8.5	14,400	2.64
4804977	215BNA024****A	CSPH*3012A**	987*A60100V21***	24,000	12.7	15.5	24,000	3.96	8.8	14,600	2.68
4804978	215BNA024****A	CSPH*3012A**	987*A66120V24***	24,000	12.7	15.5	24,000	3.94	8.8	14,500	2.68
4194363	215BNA024****A	CSPH*3012A**	OVLAAB036098	24,000	12.5	15.0	24,000	3.92	8.8	14,600	2.68
4194362	215BNA024****A	CSPH*3012A**	OVMAAB036098	24,000	12.5	15.0	24,000	3.90	8.8	14,600	2.66
3647315	215BNA024****A	CSPH*3012A**+TDR		23,400	11.2	13.5	24,000	3.78	8.3	15,200	2.56
3829823	215BNA024****A	FB4CNF024		23,400	11.5	13.5	24,000	3.80	8.5	14,700	2.58
3692791	215BNA024****A	FB4CNF024+TXV		23,400	12.0	14.5	24,000	3.80	8.5	14,700	2.58
3829824	215BNA024****A	FB4CNF030		24,000	12.0	14.5	24,000	3.96	8.5	14,700	2.68
3692792	215BNA024****A	FB4CNF030+TXV		23,400	12.5	15.0	24,000	3.96	8.8	14,700	2.68
3647325	215BNA024****A	FE4AN(B,F)003+UI		23,800	13.0	16.0	24,000	3.96	9.0	14,400	2.70
3647338	215BNA024****A	FE4ANF002+UI		23,800	12.5	15.5	24,000	3.94	9.0	14,400	2.70
3647344	215BNA024****A	FF1ENP024		23,400	11.0	13.5	24,000	3.66	8.2	15,200	2.50

See notes on page 39

215B

COMBINATION RATINGS CONTINUED

AHRI Ref. No.	Model Number	Coil Model Number	Furnace Model Number	Cooling Capacity	EER	SEER	High Temp		HSPF	Low Temp	
							E Capacity	E COP		H Capacity	H COP
3647346	215BNA024****A	FF1ENP025		23,800	12.0	15.0	24,000	3.88	8.5	14,700	2.64
3647347	215BNA024****A	FF1ENP030		23,400	11.2	13.5	24,000	3.66	8.2	15,200	2.50
3647349	215BNA024****A	FF1ENP031		23,800	12.0	15.0	24,000	3.86	8.5	14,800	2.64
3647353	215BNA024****A	FF1ENP037		23,800	12.5	15.0	24,000	3.94	8.7	14,800	2.68
3647372	215BNA024****A	FV4CN(B,F)003		23,800	12.5	16.0	24,000	3.96	9.0	14,400	2.70
3647385	215BNA024****A	FV4CNF002		23,800	12.5	15.8	24,000	3.94	9.0	14,400	2.70
3647401	215BNA024****A	FX4DN(B,F)031		24,000	12.5	15.0	24,000	3.96	9.0	14,800	2.68
3829825	215BNA024****A	FY5BNF024		23,800	11.5	13.5	24,000	3.82	8.5	14,900	2.62
3692780	215BNA024****A	FY5BNF024+TXV		23,400	12.0	14.5	24,000	3.82	8.3	14,900	2.62
3829826	215BNA024****A	FY5BNF030		24,000	11.5	13.5	24,000	3.86	8.5	15,000	2.62
3692781	215BNA024****A	FY5BNF030+TXV		23,400	12.0	14.5	24,000	3.88	8.5	15,000	2.62
4843466	215BNA030****A	1FX4DN(B,F)031		28,800	12.5	15.3	28,600	3.98	8.7	17,000	2.66
3646437	215BNA030****A	CAP**3014A**	315(A,J)AV036070	27,800	12.0	14.5	28,200	3.80	8.1	16,800	2.58
4834849	215BNA030****A	CAP**3014A**	986*A30040V14***	27,400	11.0	13.0	28,800	3.58	7.8	17,400	2.44
3647235	215BNA030****A	CAP**3014A**+TDR		28,000	11.2	13.0	29,200	3.72	8.0	17,700	2.50
3647047	215BNA030****A	CAP**3017A**	313*AV048070	28,000	12.0	14.5	28,400	3.84	8.2	17,000	2.60
3646466	215BNA030****A	CAP**3017A**	315(A,J)AV048090	28,000	12.5	15.0	28,000	3.84	8.2	16,600	2.62
3646677	215BNA030****A	CAP**3017A**	353(A,B)AV036060	28,200	12.5	15.0	28,400	3.94	8.3	16,900	2.66
3646714	215BNA030****A	CAP**3017A**	353(A,B)AV036080	28,200	12.5	15.0	28,200	3.90	8.3	16,800	2.64
3646745	215BNA030****A	CAP**3017A**	353(A,B)AV048080	28,200	12.5	15.0	28,600	3.94	8.4	17,000	2.66
3646639	215BNA030****A	CAP**3017A**	353AAV036040	28,200	12.5	15.0	28,400	3.92	8.3	16,800	2.64
3646832	215BNA030****A	CAP**3017A**	355(A,C)AV042060	28,000	12.5	15.0	28,200	3.88	8.2	16,700	2.62
3647157	215BNA030****A	CAP**3017A**	355BAV042060	28,000	12.5	15.0	28,200	3.88	8.2	16,700	2.62
4194364	215BNA030****A	CAP**3017A**	359BAV036040	28,000	12.0	14.0	28,600	3.78	8.2	17,100	2.56
4194365	215BNA030****A	CAP**3017A**	359BAV036060	28,200	12.0	14.5	28,600	3.84	8.2	17,100	2.58
3829852	215BNA030****A	CAP**3017A**	368RAN036105	28,000	12.5	15.0	28,200	3.86	8.4	16,800	2.60
3829851	215BNA030****A	CAP**3017A**	374RAN036105	27,800	12.5	15.0	28,000	3.78	8.2	16,600	2.58
4804983	215BNA030****A	CAP**3017A**	925*A42060E17***	28,000	12.0	14.5	28,400	3.82	8.2	17,000	2.58
4804984	215BNA030****A	CAP**3017A**	925*A48080E17***	28,200	12.0	14.5	28,600	3.88	8.5	17,100	2.60
4834850	215BNA030****A	CAP**3017A**	986*A30040V14***	27,400	11.0	13.3	28,800	3.60	7.8	17,400	2.44
4834851	215BNA030****A	CAP**3017A**	986*A42060V17***	27,800	12.0	14.5	28,200	3.78	8.2	16,800	2.56
4834852	215BNA030****A	CAP**3017A**	986*A48080V17***	28,000	12.0	14.5	28,200	3.82	8.2	16,800	2.60
4804981	215BNA030****A	CAP**3017A**	987*A42060V17***	27,800	12.0	14.5	28,200	3.76	8.2	16,900	2.56
4804982	215BNA030****A	CAP**3017A**	987*A42080V17***	28,000	12.0	14.5	28,200	3.82	8.2	16,800	2.58
4194367	215BNA030****A	CAP**3017A**	OVLAAB036098	28,000	12.0	14.5	28,200	3.80	8.2	16,900	2.58
4194366	215BNA030****A	CAP**3017A**	OVMAAB036098	28,000	12.0	14.5	28,400	3.80	8.2	17,000	2.58
3647237	215BNA030****A	CAP**3017A**+TDR		28,000	11.2	13.0	29,200	3.72	8.0	17,700	2.50
3646438	215BNA030****A	CAP**3614A**	315(A,J)AV036070	28,000	12.0	14.5	28,200	3.82	8.1	16,800	2.60
4834853	215BNA030****A	CAP**3614A**	986*A30040V14***	27,400	11.0	13.3	28,800	3.60	7.8	17,400	2.44
3647238	215BNA030****A	CAP**3614A**+TDR		28,000	11.2	13.0	29,200	3.74	8.0	17,700	2.52
3647048	215BNA030****A	CAP**3617A**	313*AV048070	28,200	12.0	14.5	28,400	3.86	8.3	17,000	2.60
3646467	215BNA030****A	CAP**3617A**	315(A,J)AV048090	28,000	12.5	15.3	28,000	3.86	8.5	16,600	2.62
3646678	215BNA030****A	CAP**3617A**	353(A,B)AV036060	28,200	12.5	15.3	28,400	3.96	8.5	16,900	2.66
3646715	215BNA030****A	CAP**3617A**	353(A,B)AV036080	28,200	12.5	15.3	28,400	3.94	8.5	16,800	2.66
3646746	215BNA030****A	CAP**3617A**	353(A,B)AV048080	28,200	12.5	15.0	28,600	3.98	8.6	17,000	2.66
3646640	215BNA030****A	CAP**3617A**	353AAV036040	28,200	12.5	15.3	28,400	3.96	8.5	16,900	2.66
3646833	215BNA030****A	CAP**3617A**	355(A,C)AV042060	28,000	12.5	15.3	28,200	3.90	8.5	16,800	2.64
3647158	215BNA030****A	CAP**3617A**	355BAV042060	28,000	12.5	15.3	28,200	3.90	8.5	16,800	2.64
4194368	215BNA030****A	CAP**3617A**	359BAV036040	28,000	12.0	14.0	28,600	3.82	8.2	17,100	2.56
4194369	215BNA030****A	CAP**3617A**	359BAV036060	28,200	12.0	14.5	28,600	3.86	8.4	17,100	2.60
3829854	215BNA030****A	CAP**3617A**	368RAN036105	28,200	12.5	15.0	28,400	3.88	8.4	16,800	2.62
3829853	215BNA030****A	CAP**3617A**	374RAN036105	27,800	12.5	15.0	28,000	3.80	8.2	16,600	2.60
4804987	215BNA030****A	CAP**3617A**	925*A42060E17***	28,200	12.0	14.5	28,400	3.86	8.2	17,000	2.60
4804988	215BNA030****A	CAP**3617A**	925*A48080E17***	28,400	12.0	14.5	28,600	3.90	8.5	17,100	2.62
4834854	215BNA030****A	CAP**3617A**	986*A30040V14***	27,600	11.0	13.3	28,800	3.62	8.0	17,400	2.46
4834855	215BNA030****A	CAP**3617A**	986*A42060V17***	28,000	12.0	14.5	28,400	3.82	8.2	16,900	2.58
4834856	215BNA030****A	CAP**3617A**	986*A48080V17***	28,200	12.0	14.5	28,400	3.86	8.2	16,800	2.60
4804985	215BNA030****A	CAP**3617A**	987*A42060V17***	28,000	12.0	14.5	28,200	3.80	8.2	16,900	2.58
4804986	215BNA030****A	CAP**3617A**	987*A42080V17***	28,000	12.0	14.5	28,400	3.84	8.2	16,900	2.60
4194371	215BNA030****A	CAP**3617A**	OVLAAB036098	28,000	12.0	14.5	28,400	3.84	8.2	16,900	2.60
4194370	215BNA030****A	CAP**3617A**	OVMAAB036098	28,000	12.0	14.5	28,400	3.82	8.2	17,000	2.58
3647240	215BNA030****A	CAP**3617A**+TDR		28,000	11.2	13.5	29,200	3.74	8.2	17,700	2.52
3646624	215BNA030****A	CAP**3619A**	359BAV036040	28,000	12.0	14.0	28,600	3.82	8.1	17,100	2.58
3646627	215BNA030****A	CAP**3619A**	359BAV036060	28,000	12.0	14.5	28,600	3.86	8.2	17,200	2.60
4804997	215BNA030****A	CAP**3619A**	925*A42060E17***	28,200	12.0	14.5	28,400	3.86	8.2	17,000	2.60
4804998	215BNA030****A	CAP**3619A**	925*A48080E17***	28,400	12.0	14.5	28,600	3.90	8.5	17,100	2.62
4834860	215BNA030****A	CAP**3619A**	986*A42060V17***	28,000	12.0	14.5	28,400	3.82	8.2	16,900	2.58
4834861	215BNA030****A	CAP**3619A**	986*A48080V17***	28,200	12.0	14.5	28,400	3.86	8.2	16,800	2.60
4834862	215BNA030****A	CAP**3619A**	986*A48100V21***	28,200	12.0	14.5	28,200	3.86	8.2	16,800	2.60
4804994	215BNA030****A	CAP**3619A**	987*A42060V17***	28,000	12.0	14.5	28,400	3.80	8.2	16,900	2.58
4804995	215BNA030****A	CAP**3619A**	987*A42080V17***	28,000	12.0	14.5	28,400	3.84	8.2	16,900	2.60
4804996	215BNA030****A	CAP**3619A**	987*A60100V21***	28,200	12.0	14.5	28,400	3.88	8.2	16,900	2.62
4194377	215BNA030****A	CAP**3619A**	OVLAAB036098	28,000	12.0	14.5	28,400	3.84	8.2	16,900	2.60
4194376	215BNA030****A	CAP**3619A**	OVMAAB036098	28,000	12.0	14.5	28,400	3.82	8.2	17,000	2.58
3647242	215BNA030****A	CAP**3619A**+TDR		28,000	11.2	13.5	29,200	3.74	8.2	17,700	2.52
3647071	215BNA030****A	CAP**3621A**	313*AV048090	28,200	12.5	15.0	28,400	3.96	8.5	16,900	2.66
3646507	215BNA030****A	CAP**3621A**	315(A,J)AV060110	28,000	12.5	15.0	28,200	3.90	8.5	16,700	2.64
3646867	215BNA030****A	CAP**3621A**	355(A,C)AV042080	28,000	12.5	15.0	28,000	3.84	8.1	16,600	2.60

See notes on page 39

COMBINATION RATINGS CONTINUED

AHRI Ref. No.	Model Number	Coil Model Number	Furnace Model Number	Cooling Capacity	EER	SEER	High Temp		HSPF	Low Temp	
							E Capacity	E COP		H Capacity	H COP
3646899	215BNA030****A	CAP**3621A**	355(A,C)AV060080	28,000	12.5	15.0	28,200	3.86	8.2	16,700	2.62
3646934	215BNA030****A	CAP**3621A**	355(A,C)AV060100	27,800	12.5	15.0	28,000	3.80	8.2	16,600	2.60
3647174	215BNA030****A	CAP**3621A**	355BAV042080	28,000	12.5	15.0	28,000	3.84	8.1	16,600	2.60
3647188	215BNA030****A	CAP**3621A**	355BAV060080	28,000	12.5	15.0	28,200	3.86	8.2	16,700	2.62
3647202	215BNA030****A	CAP**3621A**	355BAV060100	27,800	12.5	15.0	28,000	3.80	8.2	16,600	2.60
4194372	215BNA030****A	CAP**3621A**	359BAV036040	28,200	12.0	14.5	28,600	3.84	8.2	17,100	2.58
4194373	215BNA030****A	CAP**3621A**	359BAV036060	28,400	12.0	14.5	28,800	3.90	8.4	17,200	2.62
4804992	215BNA030****A	CAP**3621A**	925*A42060E17***	28,200	12.0	14.5	28,600	3.88	8.2	17,000	2.62
4804993	215BNA030****A	CAP**3621A**	925*A48080E17***	28,400	12.0	14.5	28,600	3.94	8.5	17,100	2.64
4834857	215BNA030****A	CAP**3621A**	986*A42060V17***	28,000	12.0	14.5	28,400	3.84	8.2	16,900	2.60
4834858	215BNA030****A	CAP**3621A**	986*A48080V17***	28,200	12.0	14.5	28,400	3.88	8.2	16,900	2.62
4834859	215BNA030****A	CAP**3621A**	986*A48100V21***	28,200	12.5	15.0	28,400	3.90	8.2	16,800	2.62
4804989	215BNA030****A	CAP**3621A**	987*A42060V17***	28,000	12.0	14.5	28,200	3.82	8.2	16,800	2.58
4804990	215BNA030****A	CAP**3621A**	987*A42080V17***	28,200	12.0	14.5	28,200	3.86	8.2	16,800	2.62
4804991	215BNA030****A	CAP**3621A**	987*A60100V21***	28,200	12.5	15.0	28,400	3.90	8.5	16,900	2.62
4194375	215BNA030****A	CAP**3621A**	OVLAAB036098	28,000	12.5	15.0	28,200	3.86	8.4	16,800	2.60
4194374	215BNA030****A	CAP**3621A**	OVMAAB036098	28,000	12.0	14.5	28,400	3.84	8.4	16,900	2.60
3647244	215BNA030****A	CAP**3621A**+TDR		28,000	11.2	13.5	29,200	3.74	8.2	17,700	2.52
3647051	215BNA030****A	CNPH*3017A**	313*AV048070	28,000	12.0	14.5	28,400	3.84	8.2	17,000	2.60
3647078	215BNA030****A	CNPH*3017A**	313*AV048090	28,000	12.0	14.5	28,400	3.86	8.2	16,900	2.62
3646443	215BNA030****A	CNPH*3017A**	315(A,J)AV036070	28,000	12.0	14.5	28,200	3.82	8.1	16,800	2.60
3646474	215BNA030****A	CNPH*3017A**	315(A,J)AV048090	28,000	12.5	15.0	28,000	3.84	8.2	16,700	2.62
3646517	215BNA030****A	CNPH*3017A**	315(A,J)AV060110	28,000	12.5	15.0	28,200	3.86	8.2	16,700	2.62
3646555	215BNA030****A	CNPH*3017A**	315(A,J)AV066135	28,000	12.5	15.0	28,200	3.86	8.2	16,700	2.62
3646593	215BNA030****A	CNPH*3017A**	315(A,J)AV066155	28,000	12.5	15.0	28,000	3.86	8.2	16,700	2.62
3646684	215BNA030****A	CNPH*3017A**	353(A,B)AV036060	28,200	12.5	15.0	28,400	3.92	8.3	16,900	2.64
3646720	215BNA030****A	CNPH*3017A**	353(A,B)AV036080	28,200	12.5	15.0	28,200	3.90	8.3	16,800	2.64
3646750	215BNA030****A	CNPH*3017A**	353(A,B)AV048080	28,200	12.5	15.0	28,600	3.94	8.4	17,000	2.64
3646646	215BNA030****A	CNPH*3017A**	353AAV036040	28,200	12.5	15.0	28,400	3.92	8.3	16,800	2.64
3646839	215BNA030****A	CNPH*3017A**	355(A,C)AV042060	28,000	12.5	15.0	28,200	3.88	8.2	16,800	2.62
3646875	215BNA030****A	CNPH*3017A**	355(A,C)AV042080	27,800	12.0	14.5	28,000	3.80	8.1	16,700	2.58
3646908	215BNA030****A	CNPH*3017A**	355(A,C)AV060080	28,000	12.0	14.5	28,200	3.82	8.1	16,700	2.60
3646943	215BNA030****A	CNPH*3017A**	355(A,C)AV060100	27,800	12.0	14.5	28,000	3.78	8.0	16,600	2.58
3646977	215BNA030****A	CNPH*3017A**	355(A,C)AV060120	28,000	12.5	15.0	28,200	3.86	8.2	16,700	2.62
3647010	215BNA030****A	CNPH*3017A**	355AAV042040	27,800	12.0	14.5	28,200	3.80	8.1	16,800	2.58
3756416	215BNA030****A	CNPH*3017A**	359BAV036040	28,000	12.0	14.0	28,600	3.78	8.2	17,100	2.56
3756417	215BNA030****A	CNPH*3017A**	359BAV036060	28,000	12.2	14.5	28,600	3.82	8.2	17,100	2.58
3829864	215BNA030****A	CNPH*3017A**	368RAN036105	28,000	12.5	15.0	28,400	3.86	8.4	16,900	2.60
3829863	215BNA030****A	CNPH*3017A**	374RAN036105	27,800	12.5	15.0	28,000	3.78	8.2	16,600	2.58
4805026	215BNA030****A	CNPH*3017A**	925*A42060E17***	28,000	12.0	14.5	28,400	3.82	8.2	17,000	2.58
4805027	215BNA030****A	CNPH*3017A**	925*A48080E17***	28,200	12.0	14.5	28,600	3.88	8.2	17,100	2.60
4834879	215BNA030****A	CNPH*3017A**	986*A30040V14***	27,400	11.0	13.3	28,800	3.60	7.8	17,400	2.44
4834880	215BNA030****A	CNPH*3017A**	986*A42060V17***	27,800	12.0	14.5	28,200	3.78	8.2	16,800	2.56
4834881	215BNA030****A	CNPH*3017A**	986*A48080V17***	28,000	12.0	14.5	28,200	3.82	8.2	16,800	2.60
4834882	215BNA030****A	CNPH*3017A**	986*A48100V21***	28,000	12.0	14.5	28,200	3.82	8.2	16,800	2.60
4834883	215BNA030****A	CNPH*3017A**	986*A66120V24***	28,000	12.5	15.0	28,200	3.86	8.2	16,800	2.62
4805022	215BNA030****A	CNPH*3017A**	987*A42060V17***	27,800	12.0	14.5	28,400	3.78	8.2	16,900	2.56
4805023	215BNA030****A	CNPH*3017A**	987*A42080V17***	28,000	12.0	14.5	28,400	3.82	8.2	16,900	2.58
4805024	215BNA030****A	CNPH*3017A**	987*A60100V21***	28,200	12.0	14.5	28,400	3.86	8.2	16,900	2.60
4805025	215BNA030****A	CNPH*3017A**	987*A66120V24***	28,200	12.5	15.0	28,200	3.86	8.2	16,800	2.62
4194402	215BNA030****A	CNPH*3017A**	OVLAAB036098	28,000	12.0	14.5	28,400	3.80	8.2	16,900	2.58
4194404	215BNA030****A	CNPH*3017A**	OVLAAB048112	28,200	12.0	14.5	28,400	3.88	8.4	17,000	2.60
4194401	215BNA030****A	CNPH*3017A**	OVMAAB036098	28,000	12.0	14.5	28,400	3.80	8.2	17,000	2.58
4194403	215BNA030****A	CNPH*3017A**	OVMAAB042112	28,000	12.5	15.0	28,200	3.86	8.4	16,800	2.62
3647273	215BNA030****A	CNPH*3017A**+TDR		28,000	11.2	13.0	29,200	3.74	8.0	17,700	2.50
3756418	215BNA030****A	CNPH*3117A**	359BAV036040	28,600	12.2	14.5	28,800	3.94	8.5	17,200	2.62
3756419	215BNA030****A	CNPH*3117A**	359BAV036060	28,800	12.2	14.5	29,000	4.02	8.5	17,300	2.64
3829866	215BNA030****A	CNPH*3117A**	368RAN036105	28,800	12.5	15.0	28,600	4.02	8.5	17,000	2.68
3829865	215BNA030****A	CNPH*3117A**	374RAN036105	28,400	12.5	15.0	28,200	3.94	8.5	16,700	2.64
4805032	215BNA030****A	CNPH*3117A**	925*A30040E14***	28,400	11.0	13.0	29,600	3.76	8.2	18,000	2.48
4805033	215BNA030****A	CNPH*3117A**	925*A42060E17***	28,800	12.0	14.5	28,800	4.00	8.5	17,200	2.66
4805034	215BNA030****A	CNPH*3117A**	925*A48080E17***	29,000	12.5	15.0	29,000	4.08	8.5	17,300	2.68
4834884	215BNA030****A	CNPH*3117A**	986*A30040V14***	28,200	11.2	13.5	29,200	3.76	8.2	17,600	2.50
4834885	215BNA030****A	CNPH*3117A**	986*A42060V17***	28,600	12.5	15.0	28,600	3.96	8.5	17,000	2.64
4834886	215BNA030****A	CNPH*3117A**	986*A48080V17***	28,600	12.5	15.0	28,600	4.00	8.5	17,000	2.66
4834887	215BNA030****A	CNPH*3117A**	986*A48100V21***	28,600	12.5	15.2	28,600	4.00	8.5	16,900	2.66
4834888	215BNA030****A	CNPH*3117A**	986*A66120V24***	28,800	12.5	15.2	28,600	4.06	8.5	16,900	2.68
4805028	215BNA030****A	CNPH*3117A**	987*A42060V17***	28,400	12.0	14.5	28,600	3.94	8.5	17,000	2.62
4805029	215BNA030****A	CNPH*3117A**	987*A42080V17***	28,600	12.5	15.0	28,600	4.00	8.5	17,000	2.66
4805030	215BNA030****A	CNPH*3117A**	987*A60100V21***	28,800	12.5	15.2	28,600	4.04	8.5	17,100	2.68
4805031	215BNA030****A	CNPH*3117A**	987*A66120V24***	28,800	12.5	15.2	28,600	4.04	8.5	16,900	2.68
4194406	215BNA030****A	CNPH*3117A**	OVLAAB036098	28,600	12.5	15.0	28,600	3.98	8.5	17,000	2.64
4194408	215BNA030****A	CNPH*3117A**	OVLAAB048112	28,800	12.5	15.0	28,800	4.06	8.5	17,100	2.68
4194405	215BNA030****A	CNPH*3117A**	OVMAAB036098	28,600	12.5	14.5	28,800	3.98	8.5	17,100	2.64
4194407	215BNA030****A	CNPH*3117A**	OVMAAB042112	28,800	12.5	15.0	28,600	4.04	8.5	16,900	2.68
3647052	215BNA030****A	CNPH*3617A**	313*AV048070	28,000	12.0	14.5	28,400	3.84	8.3	17,000	2.60
3647079	215BNA030****A	CNPH*3617A**	313*AV048090	28,200	12.5	15.0	28,400	3.86	8.5	16,900	2.62
3646444	215BNA030****A	CNPH*3617A**	315(A,J)AV036070	28,000	12.0	14.5	28,200	3.82	8.1	16,800	2.60
3646475	215BNA030****A	CNPH*3617A**	315(A,J)AV048090	28,000	12.5	15.3	28,000	3.84	8.5	16,700	2.62

See notes on page 39

215B

COMBINATION RATINGS CONTINUED

AHRI Ref. No.	Model Number	Coil Model Number	Furnace Model Number	Cooling Capacity	EER	SEER	High Temp		HSPF	Low Temp	
							E Capacity	E COP		H Capacity	H COP
3646518	215BNA030****A	CNPH*3617A**	315(A,J)AV060110	28,000	12.5	15.0	28,200	3.86	8.5	16,700	2.62
3646556	215BNA030****A	CNPH*3617A**	315(A,J)AV066135	28,000	12.5	15.0	28,200	3.86	8.2	16,700	2.62
3646594	215BNA030****A	CNPH*3617A**	315(A,J)AV066155	28,000	12.5	15.0	28,000	3.86	8.2	16,700	2.62
3646685	215BNA030****A	CNPH*3617A**	353(A,B)AV036060	28,200	12.5	15.3	28,400	3.92	8.5	16,900	2.64
3646721	215BNA030****A	CNPH*3617A**	353(A,B)AV036080	28,200	12.5	15.3	28,200	3.90	8.5	16,800	2.64
3646751	215BNA030****A	CNPH*3617A**	353(A,B)AV048080	28,200	12.5	15.0	28,600	3.94	8.6	17,000	2.64
3646647	215BNA030****A	CNPH*3617A**	353AAV036040	28,200	12.5	15.3	28,400	3.92	8.5	16,800	2.64
3646840	215BNA030****A	CNPH*3617A**	355(A,C)AV042060	28,000	12.5	15.3	28,200	3.88	8.5	16,800	2.62
3646876	215BNA030****A	CNPH*3617A**	355(A,C)AV042080	27,800	12.5	15.0	28,000	3.80	8.1	16,700	2.58
3646909	215BNA030****A	CNPH*3617A**	355(A,C)AV060080	28,000	12.5	15.0	28,200	3.82	8.1	16,700	2.60
3646944	215BNA030****A	CNPH*3617A**	355(A,C)AV060100	27,800	12.5	15.0	28,000	3.78	8.2	16,600	2.58
3646978	215BNA030****A	CNPH*3617A**	355(A,C)AV060120	28,000	12.5	15.0	28,200	3.86	8.2	16,700	2.62
3647011	215BNA030****A	CNPH*3617A**	355AAV042040	27,800	12.0	14.5	28,200	3.80	8.1	16,800	2.58
3756420	215BNA030****A	CNPH*3617A**	359BAV036040	28,000	12.0	14.0	28,600	3.78	8.2	17,100	2.56
3756421	215BNA030****A	CNPH*3617A**	359BAV036060	28,000	12.2	14.5	28,600	3.82	8.2	17,100	2.58
4194387	215BNA030****A	CNPH*3617A**	359BAV060080	28,400	12.5	14.5	28,600	3.92	8.5	17,100	2.64
3829868	215BNA030****A	CNPH*3617A**	368RAN036105	28,000	12.5	15.0	28,400	3.86	8.4	16,900	2.60
3829867	215BNA030****A	CNPH*3617A**	374RAN036105	27,800	12.5	15.0	28,000	3.78	8.2	16,600	2.58
4805039	215BNA030****A	CNPH*3617A**	925*A42060E17***	28,000	12.0	14.5	28,400	3.82	8.2	17,000	2.58
4805040	215BNA030****A	CNPH*3617A**	925*A48080E17***	28,200	12.0	14.5	28,600	3.88	8.2	17,100	2.60
4834889	215BNA030****A	CNPH*3617A**	986*A30040V14***	27,400	11.0	13.3	28,800	3.60	7.8	17,400	2.44
4834890	215BNA030****A	CNPH*3617A**	986*A42060V17***	27,800	12.0	14.5	28,200	3.78	8.2	16,800	2.56
4834891	215BNA030****A	CNPH*3617A**	986*A48080V17***	28,000	12.0	14.5	28,200	3.82	8.2	16,800	2.60
4834892	215BNA030****A	CNPH*3617A**	986*A48100V21***	28,000	12.0	14.5	28,200	3.82	8.2	16,800	2.60
4834893	215BNA030****A	CNPH*3617A**	986*A66120V24***	28,000	12.5	15.0	28,200	3.86	8.2	16,800	2.62
4805035	215BNA030****A	CNPH*3617A**	987*A42060V17***	27,800	12.0	14.5	28,400	3.78	8.2	16,900	2.56
4805036	215BNA030****A	CNPH*3617A**	987*A42080V17***	28,000	12.0	14.5	28,400	3.82	8.2	16,900	2.58
4805037	215BNA030****A	CNPH*3617A**	987*A60100V21***	28,200	12.0	14.5	28,400	3.86	8.2	16,900	2.60
4805038	215BNA030****A	CNPH*3617A**	987*A66120V24***	28,200	12.5	15.0	28,200	3.86	8.2	16,800	2.62
4194410	215BNA030****A	CNPH*3617A**	OVLAAB036098	28,000	12.0	14.5	28,400	3.80	8.2	16,900	2.58
4194412	215BNA030****A	CNPH*3617A**	OVLAAB048112	28,200	12.0	14.5	28,400	3.88	8.4	17,000	2.60
4194409	215BNA030****A	CNPH*3617A**	OVMAAB036098	28,000	12.0	14.5	28,400	3.80	8.2	17,000	2.58
4194411	215BNA030****A	CNPH*3617A**	OVMAAB042112	28,000	12.5	15.0	28,200	3.86	8.4	16,800	2.62
3647274	215BNA030****A	CNPH*3617A**+TDR		28,000	11.2	13.5	29,200	3.74	8.2	17,700	2.50
3646453	215BNA030****A	CNPV*3014A**	315(A,J)AV036070	27,800	12.0	14.5	28,200	3.78	8.1	16,800	2.58
4834863	215BNA030****A	CNPV*3014A**	986*A30040V14***	27,400	11.0	13.0	28,800	3.56	7.8	17,400	2.42
3647291	215BNA030****A	CNPV*3014A**+TDR		28,000	11.2	13.0	29,200	3.74	8.0	17,700	2.50
3647057	215BNA030****A	CNPV*3017A**	313*AV048070	28,000	12.0	14.5	28,400	3.84	8.2	17,000	2.60
3646487	215BNA030****A	CNPV*3017A**	315(A,J)AV048090	28,000	12.5	15.0	28,000	3.84	8.2	16,700	2.62
3646694	215BNA030****A	CNPV*3017A**	353(A,B)AV036060	28,200	12.5	15.0	28,400	3.92	8.3	16,900	2.64
3646728	215BNA030****A	CNPV*3017A**	353(A,B)AV036080	28,200	12.5	15.0	28,200	3.90	8.3	16,800	2.64
3646760	215BNA030****A	CNPV*3017A**	353(A,B)AV048080	28,200	12.5	15.0	28,600	3.94	8.4	17,000	2.64
3646656	215BNA030****A	CNPV*3017A**	353AAV036040	28,200	12.5	15.0	28,400	3.92	8.3	16,800	2.64
3646849	215BNA030****A	CNPV*3017A**	355(A,C)AV042060	28,000	12.5	15.0	28,200	3.88	8.2	16,800	2.62
3647165	215BNA030****A	CNPV*3017A**	355BAV042060	28,000	12.5	15.0	28,200	3.88	8.2	16,800	2.62
4194378	215BNA030****A	CNPV*3017A**	359BAV036040	28,000	12.0	14.0	28,600	3.78	8.2	17,100	2.56
4194379	215BNA030****A	CNPV*3017A**	359BAV036060	28,000	12.0	14.5	28,600	3.82	8.2	17,100	2.58
3829856	215BNA030****A	CNPV*3017A**	368RAN036105	28,000	12.5	15.0	28,400	3.86	8.4	16,900	2.60
3829855	215BNA030****A	CNPV*3017A**	374RAN036105	27,800	12.5	15.0	28,000	3.78	8.2	16,600	2.58
4805001	215BNA030****A	CNPV*3017A**	925*A42060E17***	28,000	12.0	14.5	28,400	3.82	8.2	17,000	2.58
4805002	215BNA030****A	CNPV*3017A**	925*A48080E17***	28,200	12.0	14.5	28,600	3.88	8.2	17,100	2.60
4834864	215BNA030****A	CNPV*3017A**	986*A30040V14***	27,400	11.0	13.3	28,800	3.60	7.8	17,400	2.44
4834865	215BNA030****A	CNPV*3017A**	986*A42060V17***	27,800	12.0	14.5	28,200	3.78	8.2	16,800	2.56
4834866	215BNA030****A	CNPV*3017A**	986*A48080V17***	28,000	12.0	14.5	28,200	3.82	8.2	16,800	2.60
4804999	215BNA030****A	CNPV*3017A**	987*A42060V17***	27,800	12.0	14.5	28,400	3.78	8.2	16,900	2.56
4805000	215BNA030****A	CNPV*3017A**	987*A42080V17***	28,000	12.0	14.5	28,400	3.82	8.2	16,900	2.58
4194389	215BNA030****A	CNPV*3017A**	OVLAAB036098	28,000	12.0	14.5	28,400	3.80	8.2	16,900	2.58
4194388	215BNA030****A	CNPV*3017A**	OVMAAB036098	28,000	12.0	14.5	28,400	3.80	8.2	17,000	2.58
4194390	215BNA030****A	CNPV*3017A**	OVMAAB042112	28,000	12.5	15.0	28,200	3.86	8.4	16,800	2.62
3647293	215BNA030****A	CNPV*3017A**+TDR		28,000	11.2	13.0	29,200	3.74	8.0	17,700	2.50
3647058	215BNA030****A	CNPV*3117A**	313*AV048070	28,800	12.5	15.0	28,800	4.02	8.6	17,100	2.66
3646489	215BNA030****A	CNPV*3117A**	315(A,J)AV048090	28,600	12.5	15.5	28,400	4.02	8.6	16,800	2.68
3646696	215BNA030****A	CNPV*3117A**	353(A,B)AV036060	29,000	12.5	15.5	28,800	4.14	8.8	17,100	2.72
3646730	215BNA030****A	CNPV*3117A**	353(A,B)AV036080	29,000	12.5	15.5	28,600	4.10	8.8	17,000	2.70
3646761	215BNA030****A	CNPV*3117A**	353(A,B)AV048080	29,200	12.5	15.3	28,800	4.14	8.8	17,200	2.72
3646658	215BNA030****A	CNPV*3117A**	353AAV036040	29,000	13.0	15.5	28,600	4.12	8.8	17,000	2.72
3646851	215BNA030****A	CNPV*3117A**	355(A,C)AV042060	28,800	12.5	15.5	28,600	4.04	8.6	16,900	2.68
3647167	215BNA030****A	CNPV*3117A**	355BAV042060	28,800	12.5	15.5	28,600	4.04	8.6	16,900	2.68
4194380	215BNA030****A	CNPV*3117A**	359BAV036040	28,600	12.0	14.5	28,800	3.96	8.5	17,200	2.62
4194381	215BNA030****A	CNPV*3117A**	359BAV036060	28,800	12.5	14.5	29,000	4.02	8.5	17,300	2.64
3829858	215BNA030****A	CNPV*3117A**	368RAN036105	28,800	12.5	15.0	28,600	4.02	8.5	17,000	2.68
3829857	215BNA030****A	CNPV*3117A**	374RAN036105	28,400	12.5	15.0	28,200	3.94	8.5	16,700	2.64
4805005	215BNA030****A	CNPV*3117A**	925*A30040E14***	28,400	11.0	13.0	29,600	3.76	8.2	18,100	2.48
4805006	215BNA030****A	CNPV*3117A**	925*A42060E17***	28,800	12.0	14.5	28,800	4.00	8.5	17,200	2.66
4805007	215BNA030****A	CNPV*3117A**	925*A48080E17***	29,000	12.5	15.0	29,000	4.08	8.5	17,300	2.68
4834867	215BNA030****A	CNPV*3117A**	986*A30040V14***	28,200	11.2	13.5	29,200	3.76	8.2	17,600	2.50
4834868	215BNA030****A	CNPV*3117A**	986*A42060V17***	28,600	12.0	14.5	28,600	3.96	8.5	17,000	2.64
4834869	215BNA030****A	CNPV*3117A**	986*A48080V17***	28,600	12.5	15.0	28,600	4.00	8.5	17,000	2.66
4805003	215BNA030****A	CNPV*3117A**	987*A42060V17***	28,400	12.0	14.5	28,600	3.94	8.5	17,000	2.62

See notes on page 39

COMBINATION RATINGS CONTINUED

AHRI Ref. No.	Model Number	Coil Model Number	Furnace Model Number	Cooling Capacity	EER	SEER	High Temp		HSPF	Low Temp	
							E Capacity	E COP		H Capacity	H COP
4805004	215BNA030****A	CNPV*3117A**	987*A42080V17***	28,600	12.5	15.0	28,600	4.00	8.5	17,000	2.66
4194392	215BNA030****A	CNPV*3117A**	OVLAAB036098	28,600	12.5	15.0	28,600	3.98	8.5	17,000	2.64
4194391	215BNA030****A	CNPV*3117A**	OVMAAB036098	28,600	12.5	14.5	28,800	3.98	8.5	17,100	2.64
4194393	215BNA030****A	CNPV*3117A**	OVMAAB042112	28,800	12.5	15.0	28,600	4.04	8.5	16,900	2.68
3647294	215BNA030****A	CNPV*3117A**+TDR		28,800	11.5	13.5	29,600	3.90	8.3	17,800	2.56
3647059	215BNA030****A	CNPV*3617A**	313*AV048070	28,000	12.0	14.5	28,400	3.84	8.3	17,000	2.60
3646490	215BNA030****A	CNPV*3617A**	315(A,J)AV048090	28,000	12.5	15.3	28,000	3.84	8.5	16,700	2.62
3646697	215BNA030****A	CNPV*3617A**	353(A,B)AV036060	28,200	12.5	15.3	28,400	3.92	8.5	16,900	2.64
3646731	215BNA030****A	CNPV*3617A**	353(A,B)AV036080	28,200	12.5	15.3	28,200	3.90	8.5	16,800	2.64
3646762	215BNA030****A	CNPV*3617A**	353(A,B)AV048080	28,200	12.5	15.0	28,600	3.94	8.6	17,000	2.64
3646659	215BNA030****A	CNPV*3617A**	353AAV036040	28,200	12.5	15.3	28,400	3.92	8.5	16,800	2.64
3646852	215BNA030****A	CNPV*3617A**	355(A,C)AV042060	28,000	12.5	15.3	28,200	3.88	8.5	16,800	2.62
3647168	215BNA030****A	CNPV*3617A**	355BAV042060	28,000	12.5	15.3	28,200	3.88	8.5	16,800	2.62
4194382	215BNA030****A	CNPV*3617A**	359BAV036040	28,000	12.0	14.0	28,600	3.78	8.2	17,100	2.56
4194383	215BNA030****A	CNPV*3617A**	359BAV036060	28,000	12.0	14.5	28,600	3.82	8.2	17,100	2.58
3829860	215BNA030****A	CNPV*3617A**	368RAN036105	28,000	12.5	15.0	28,400	3.86	8.4	16,900	2.60
3829859	215BNA030****A	CNPV*3617A**	374RAN036105	27,800	12.5	15.0	28,000	3.78	8.2	16,600	2.58
4805010	215BNA030****A	CNPV*3617A**	925*A42060E17***	28,000	12.0	14.5	28,400	3.82	8.2	17,000	2.58
4805011	215BNA030****A	CNPV*3617A**	925*A48080E17***	28,200	12.0	14.5	28,600	3.88	8.2	17,100	2.60
4834870	215BNA030****A	CNPV*3617A**	986*A30040V14***	27,400	11.0	13.3	28,800	3.60	7.8	17,400	2.44
4834871	215BNA030****A	CNPV*3617A**	986*A42060V17***	27,800	12.0	14.5	28,200	3.78	8.2	16,800	2.56
4834872	215BNA030****A	CNPV*3617A**	986*A48080V17***	28,000	12.0	14.5	28,200	3.82	8.2	16,800	2.60
4805008	215BNA030****A	CNPV*3617A**	987*A42060V17***	27,800	12.0	14.5	28,400	3.78	8.2	16,900	2.56
4805009	215BNA030****A	CNPV*3617A**	987*A42080V17***	28,000	12.0	14.5	28,400	3.82	8.2	16,900	2.58
4194395	215BNA030****A	CNPV*3617A**	OVLAAB036098	28,000	12.0	14.5	28,400	3.80	8.2	16,900	2.58
4194394	215BNA030****A	CNPV*3617A**	OVMAAB036098	28,000	12.0	14.5	28,400	3.80	8.2	17,000	2.58
4194396	215BNA030****A	CNPV*3617A**	OVMAAB042112	28,000	12.5	15.0	28,200	3.86	8.4	16,800	2.62
3647295	215BNA030****A	CNPV*3617A**+TDR		28,000	11.2	13.5	29,200	3.74	8.2	17,700	2.50
3647087	215BNA030****A	CNPV*3621A**	313*AV048090	28,200	12.5	15.0	28,400	3.88	8.5	16,900	2.62
3646528	215BNA030****A	CNPV*3621A**	315(A,J)AV060110	28,000	12.5	15.0	28,200	3.86	8.5	16,700	2.62
3646881	215BNA030****A	CNPV*3621A**	355(A,C)AV042080	27,800	12.5	15.0	28,000	3.80	8.1	16,700	2.58
3646917	215BNA030****A	CNPV*3621A**	355(A,C)AV060080	28,000	12.5	15.0	28,200	3.82	8.1	16,700	2.60
3646952	215BNA030****A	CNPV*3621A**	355(A,C)AV060100	27,800	12.5	15.0	28,000	3.78	8.2	16,600	2.58
3647179	215BNA030****A	CNPV*3621A**	355BAV042080	27,800	12.5	15.0	28,000	3.80	8.1	16,700	2.58
3647195	215BNA030****A	CNPV*3621A**	355BAV060080	28,000	12.5	15.0	28,200	3.82	8.1	16,700	2.60
3647209	215BNA030****A	CNPV*3621A**	355BAV060100	27,800	12.5	15.0	28,000	3.78	8.2	16,600	2.58
4194384	215BNA030****A	CNPV*3621A**	359BAV036040	28,000	12.0	14.0	28,600	3.78	8.2	17,100	2.56
4194385	215BNA030****A	CNPV*3621A**	359BAV036060	28,200	12.0	14.5	28,600	3.84	8.2	17,100	2.58
4194386	215BNA030****A	CNPV*3621A**	359BAV060080	28,400	12.5	14.5	28,600	3.92	8.5	17,100	2.64
4805015	215BNA030****A	CNPV*3621A**	925*A42060E17***	28,000	12.0	14.5	28,400	3.82	8.2	17,000	2.58
4805016	215BNA030****A	CNPV*3621A**	925*A48080E17***	28,400	12.0	14.5	28,600	3.88	8.2	17,100	2.60
4834873	215BNA030****A	CNPV*3621A**	986*A42060V17***	27,800	12.0	14.5	28,200	3.78	8.2	16,900	2.56
4834874	215BNA030****A	CNPV*3621A**	986*A48080V17***	28,000	12.0	14.5	28,200	3.82	8.2	16,800	2.60
4834875	215BNA030****A	CNPV*3621A**	986*A48100V21***	28,000	12.0	14.5	28,200	3.82	8.2	16,800	2.60
4805012	215BNA030****A	CNPV*3621A**	987*A42060V17***	27,800	12.0	14.5	28,400	3.78	8.2	16,900	2.56
4805013	215BNA030****A	CNPV*3621A**	987*A42080V17***	28,000	12.0	14.5	28,400	3.82	8.2	16,900	2.60
4805014	215BNA030****A	CNPV*3621A**	987*A60100V21***	28,200	12.0	14.5	28,400	3.86	8.2	16,900	2.60
4194398	215BNA030****A	CNPV*3621A**	OVLAAB036098	28,000	12.0	14.5	28,400	3.82	8.2	16,900	2.58
4194400	215BNA030****A	CNPV*3621A**	OVLAAB048112	28,200	12.0	14.5	28,400	3.88	8.4	17,000	2.62
4194397	215BNA030****A	CNPV*3621A**	OVMAAB036098	28,000	12.0	14.5	28,400	3.80	8.2	17,000	2.58
4194399	215BNA030****A	CNPV*3621A**	OVMAAB042112	28,200	12.5	15.0	28,200	3.88	8.4	16,800	2.62
3647297	215BNA030****A	CNPV*3621A**+TDR		28,000	11.2	13.5	29,200	3.74	8.2	17,700	2.50
3647061	215BNA030****A	CNPV*3717A**	313*AV048070	29,200	12.5	15.3	28,800	4.14	8.8	17,200	2.70
3646492	215BNA030****A	CNPV*3717A**	315(A,J)AV048090	29,000	13.0	15.5	28,400	4.14	8.8	16,800	2.72
3646699	215BNA030****A	CNPV*3717A**	353(A,B)AV036060	29,000	13.0	15.5	28,600	4.26	9.0	17,100	2.76
3646733	215BNA030****A	CNPV*3717A**	353(A,B)AV036080	29,400	13.0	15.5	28,600	4.22	9.0	17,000	2.74
3646764	215BNA030****A	CNPV*3717A**	353(A,B)AV048080	29,600	13.0	15.5	28,800	4.24	9.0	17,200	2.76
3646661	215BNA030****A	CNPV*3717A**	353AAV036040	29,000	13.0	15.5	28,600	4.24	9.0	17,100	2.76
3646854	215BNA030****A	CNPV*3717A**	355(A,C)AV042060	29,000	13.0	15.5	28,600	4.16	8.8	16,900	2.72
3647170	215BNA030****A	CNPV*3717A**	355BAV042060	29,000	13.0	15.5	28,600	4.16	8.8	16,900	2.72
3829862	215BNA030****A	CNPV*3717A**	368RAN036105	29,000	12.5	15.0	28,600	4.14	8.5	17,000	2.70
3829861	215BNA030****A	CNPV*3717A**	374RAN036105	28,600	12.5	15.0	28,400	4.04	8.5	16,800	2.68
4805019	215BNA030****A	CNPV*3717A**	925*A30040E14***	28,800	11.0	13.0	29,600	3.84	8.2	18,200	2.50
4805020	215BNA030****A	CNPV*3717A**	925*A42060E17***	29,200	12.5	15.0	28,800	4.12	8.8	17,200	2.68
4805021	215BNA030****A	CNPV*3717A**	925*A48080E17***	29,400	12.5	15.2	28,800	4.16	8.8	17,300	2.70
4834876	215BNA030****A	CNPV*3717A**	986*A30040V14***	28,600	11.4	13.7	29,200	3.86	8.2	17,600	2.54
4834877	215BNA030****A	CNPV*3717A**	986*A42060V17***	29,000	12.5	15.0	28,800	4.08	8.5	17,100	2.66
4834878	215BNA030****A	CNPV*3717A**	986*A48080V17***	29,000	12.5	15.2	28,800	4.12	8.8	17,100	2.68
4805017	215BNA030****A	CNPV*3717A**	987*A42060V17***	28,800	12.5	15.0	28,800	4.06	8.5	17,100	2.66
4805018	215BNA030****A	CNPV*3717A**	987*A42080V17***	29,000	12.5	15.2	28,600	4.12	8.8	17,100	2.68
3647299	215BNA030****A	CNPV*3717A**+TDR		29,000	11.5	14.0	29,400	3.96	8.4	17,900	2.58
3646883	215BNA030****A	CNPV*4221A**	355(A,C)AV042080	28,000	12.5	15.0	28,200	3.86	8.2	16,700	2.62
3647181	215BNA030****A	CNPV*4221A**	355BAV042080	28,000	12.5	15.0	28,200	3.86	8.2	16,700	2.62
3647065	215BNA030****A	CSPH*3012A**	313*AV048070	28,000	12.0	14.5	28,400	3.82	8.1	17,000	2.58
3647093	215BNA030****A	CSPH*3012A**	313*AV048090	28,000	12.0	14.5	28,400	3.86	8.2	16,900	2.60
3646457	215BNA030****A	CSPH*3012A**	315(A,J)AV036070	28,000	12.0	14.5	28,200	3.82	8.1	16,800	2.60
3646499	215BNA030****A	CSPH*3012A**	315(A,J)AV048090	28,000	12.5	15.0	28,200	3.86	8.2	16,700	2.62
3646538	215BNA030****A	CSPH*3012A**	315(A,J)AV060110	28,000	12.5	15.0	28,200	3.86	8.2	16,800	2.62
3646576	215BNA030****A	CSPH*3012A**	315(A,J)AV066135	28,000	12.5	15.0	28,200	3.86	8.2	16,700	2.62

See notes on page 39

215B

COMBINATION RATINGS CONTINUED

AHRI Ref. No.	Model Number	Coil Model Number	Furnace Model Number	Cooling Capacity	EER	SEER	High Temp		HSPF	Low Temp	
							E Capacity	E COP		H Capacity	H COP
3646614	215BNA030****A	CSPH*3012A**	315(A,J)AV066155	28,000	12.5	15.0	28,200	3.88	8.2	16,700	2.62
3646706	215BNA030****A	CSPH*3012A**	353(A,B)AV036060	28,200	12.5	15.0	28,400	3.92	8.3	16,900	2.64
3646739	215BNA030****A	CSPH*3012A**	353(A,B)AV036080	28,200	12.5	15.0	28,200	3.90	8.3	16,800	2.64
3646768	215BNA030****A	CSPH*3012A**	353(A,B)AV048080	28,200	12.0	14.5	28,600	3.92	8.3	17,000	2.64
3646668	215BNA030****A	CSPH*3012A**	353AAV036040	28,200	12.5	15.0	28,400	3.92	8.3	16,800	2.64
3646861	215BNA030****A	CSPH*3012A**	355(A,C)AV042060	28,000	12.5	15.0	28,400	3.88	8.2	16,800	2.62
3646893	215BNA030****A	CSPH*3012A**	355(A,C)AV042080	27,800	12.0	14.5	28,200	3.80	8.1	16,800	2.58
3646926	215BNA030****A	CSPH*3012A**	355(A,C)AV060080	28,000	12.0	14.5	28,200	3.84	8.1	16,800	2.60
3646962	215BNA030****A	CSPH*3012A**	355(A,C)AV060100	27,800	12.0	14.5	28,000	3.78	8.0	16,700	2.58
3646995	215BNA030****A	CSPH*3012A**	355(A,C)AV060120	28,000	12.5	15.0	28,200	3.86	8.2	16,700	2.62
3647022	215BNA030****A	CSPH*3012A**	355AAV042040	27,800	12.0	14.5	28,200	3.82	8.1	16,800	2.58
3756422	215BNA030****A	CSPH*3012A**	359BAV036040	28,000	12.0	14.0	28,600	3.76	8.0	17,100	2.54
3756423	215BNA030****A	CSPH*3012A**	359BAV036060	28,200	12.0	14.0	28,600	3.82	8.2	17,100	2.56
3829870	215BNA030****A	CSPH*3012A**	368RAN036105	28,200	12.5	14.5	28,400	3.86	8.4	16,900	2.60
3829869	215BNA030****A	CSPH*3012A**	374RAN036105	27,800	12.5	14.5	28,000	3.78	8.2	16,700	2.58
4805045	215BNA030****A	CSPH*3012A**	925*A42060E17***	28,200	12.0	14.5	28,600	3.88	8.2	17,000	2.60
4805046	215BNA030****A	CSPH*3012A**	925*A48080E17***	28,400	12.0	14.5	28,800	3.94	8.5	17,200	2.62
4834894	215BNA030****A	CSPH*3012A**	986*A30040V14***	27,600	11.0	13.3	29,000	3.66	8.0	17,500	2.46
4834895	215BNA030****A	CSPH*3012A**	986*A42060V17***	28,000	12.0	14.5	28,400	3.84	8.2	16,900	2.58
4834896	215BNA030****A	CSPH*3012A**	986*A48080V17***	28,000	12.0	14.5	28,400	3.88	8.2	16,900	2.60
4834897	215BNA030****A	CSPH*3012A**	986*A48100V21***	28,000	12.0	14.5	28,400	3.86	8.2	16,800	2.60
4834898	215BNA030****A	CSPH*3012A**	986*A66120V24***	28,200	12.5	15.0	28,400	3.90	8.2	16,800	2.62
4805041	215BNA030****A	CSPH*3012A**	987*A42060V17***	28,000	12.0	14.5	28,600	3.84	8.2	17,000	2.56
4805042	215BNA030****A	CSPH*3012A**	987*A42080V17***	28,200	12.0	14.5	28,600	3.88	8.2	17,000	2.60
4805043	215BNA030****A	CSPH*3012A**	987*A60100V21***	28,200	12.0	14.5	28,600	3.92	8.5	17,000	2.62
4805044	215BNA030****A	CSPH*3012A**	987*A66120V24***	28,200	12.0	14.5	28,400	3.92	8.5	16,900	2.62
4194414	215BNA030****A	CSPH*3012A**	OVLAA036098	28,000	12.0	14.5	28,400	3.82	8.2	17,000	2.58
4194416	215BNA030****A	CSPH*3012A**	OVLAA048112	28,400	12.0	14.5	28,600	3.88	8.4	17,100	2.60
4194413	215BNA030****A	CSPH*3012A**	OVMAA036098	28,000	12.0	14.5	28,600	3.82	8.2	17,100	2.58
4194415	215BNA030****A	CSPH*3012A**	OVMAA042112	28,200	12.5	14.5	28,400	3.86	8.4	16,900	2.62
3647316	215BNA030****A	CSPH*3012A**+TDR		28,000	11.2	13.0	29,200	3.76	8.0	17,700	2.52
3647066	215BNA030****A	CSPH*3612A**	313*AV048070	28,200	12.0	14.5	28,600	3.98	8.3	17,100	2.64
3647094	215BNA030****A	CSPH*3612A**	313*AV048090	28,200	12.5	15.0	28,600	4.02	8.5	17,000	2.68
3646458	215BNA030****A	CSPH*3612A**	315(A,J)AV036070	28,000	12.0	14.5	28,400	3.94	8.2	16,900	2.64
3646500	215BNA030****A	CSPH*3612A**	315(A,J)AV048090	28,000	12.5	15.3	28,200	3.98	8.5	16,800	2.66
3646539	215BNA030****A	CSPH*3612A**	315(A,J)AV060110	28,000	12.5	15.0	28,400	3.98	8.5	16,800	2.66
3646577	215BNA030****A	CSPH*3612A**	315(A,J)AV066135	28,000	12.5	15.0	28,400	4.00	8.3	16,800	2.68
3646615	215BNA030****A	CSPH*3612A**	315(A,J)AV066155	28,000	12.5	15.0	28,200	4.00	8.3	16,800	2.68
3646707	215BNA030****A	CSPH*3612A**	353(A,B)AV036060	28,200	12.5	15.3	28,600	4.08	8.5	17,000	2.70
3646740	215BNA030****A	CSPH*3612A**	353(A,B)AV036080	28,200	12.5	15.3	28,600	4.06	8.5	16,900	2.70
3646769	215BNA030****A	CSPH*3612A**	353(A,B)AV048080	28,200	12.5	15.0	28,800	4.10	8.6	17,100	2.70
3646669	215BNA030****A	CSPH*3612A**	353AAV036040	28,200	12.5	15.3	28,600	4.08	8.5	17,000	2.70
3646862	215BNA030****A	CSPH*3612A**	355(A,C)AV042060	28,000	12.5	15.3	28,400	4.00	8.5	16,900	2.68
3646894	215BNA030****A	CSPH*3612A**	355(A,C)AV042080	28,000	12.5	15.0	28,200	3.92	8.2	16,800	2.64
3646927	215BNA030****A	CSPH*3612A**	355(A,C)AV060080	28,000	12.5	15.0	28,400	3.96	8.3	16,800	2.66
3646963	215BNA030****A	CSPH*3612A**	355(A,C)AV060100	27,800	12.5	15.0	28,200	3.90	8.2	16,700	2.62
3646996	215BNA030****A	CSPH*3612A**	355(A,C)AV060120	28,000	12.5	15.0	28,400	3.98	8.3	16,800	2.68
3647023	215BNA030****A	CSPH*3612A**	355AAV042040	28,000	12.0	14.5	28,400	3.92	8.2	16,900	2.64
3756424	215BNA030****A	CSPH*3612A**	359BAV036040	28,000	12.0	14.0	28,600	3.92	8.2	17,200	2.60
3756425	215BNA030****A	CSPH*3612A**	359BAV036060	28,200	12.2	14.5	28,600	3.98	8.2	17,300	2.64
3829872	215BNA030****A	CSPH*3612A**	368RAN036105	28,600	12.5	15.0	28,600	3.98	8.5	16,900	2.66
3829871	215BNA030****A	CSPH*3612A**	374RAN036105	28,200	12.5	15.0	28,200	3.90	8.4	16,700	2.62
4805051	215BNA030****A	CSPH*3612A**	925*A30040E14***	28,400	11.0	13.0	29,600	3.72	8.0	18,000	2.48
4805052	215BNA030****A	CSPH*3612A**	925*A42060E17***	28,800	12.0	14.5	28,800	3.96	8.5	17,100	2.64
4805053	215BNA030****A	CSPH*3612A**	925*A48080E17***	29,000	12.5	15.0	28,800	4.02	8.5	17,200	2.66
4834899	215BNA030****A	CSPH*3612A**	986*A30040V14***	28,200	11.2	13.5	29,000	3.72	8.0	17,500	2.50
4834900	215BNA030****A	CSPH*3612A**	986*A42060V17***	28,400	12.0	14.5	28,600	3.92	8.5	17,000	2.62
4834901	215BNA030****A	CSPH*3612A**	986*A48080V17***	28,600	12.5	15.0	28,600	3.96	8.5	16,900	2.64
4834902	215BNA030****A	CSPH*3612A**	986*A48100V21***	28,600	12.5	15.0	28,400	3.96	8.5	16,900	2.64
4834903	215BNA030****A	CSPH*3612A**	986*A66120V24***	28,800	12.5	15.2	28,400	4.00	8.5	16,900	2.66
4805047	215BNA030****A	CSPH*3612A**	987*A42060V17***	28,400	12.0	14.5	28,600	3.90	8.2	17,000	2.62
4805048	215BNA030****A	CSPH*3612A**	987*A42080V17***	28,600	12.5	15.0	28,600	3.96	8.5	17,000	2.64
4805049	215BNA030****A	CSPH*3612A**	987*A60100V21***	28,800	12.5	15.0	28,600	4.00	8.5	17,000	2.66
4805050	215BNA030****A	CSPH*3612A**	987*A66120V24***	28,800	12.5	15.2	28,400	4.00	8.5	16,900	2.66
4194418	215BNA030****A	CSPH*3612A**	OVLAA036098	28,600	12.5	15.0	28,600	3.94	8.5	17,000	2.64
4194420	215BNA030****A	CSPH*3612A**	OVLAA048112	28,800	12.5	15.0	28,600	4.02	8.5	17,100	2.66
4194417	215BNA030****A	CSPH*3612A**	OVMAA036098	28,600	12.5	14.5	28,600	3.94	8.5	17,100	2.62
4194419	215BNA030****A	CSPH*3612A**	OVMAA042112	28,800	12.5	15.0	28,400	4.00	8.5	16,900	2.68
3647317	215BNA030****A	CSPH*3612A**+TDR		28,000	11.2	13.5	29,200	3.86	8.2	17,800	2.56
3829847	215BNA030****A	FB4CNF030		28,200	12.0	14.0	28,600	3.88	8.4	17,100	2.60
3692793	215BNA030****A	FB4CNF030+TXV		28,200	12.0	14.5	28,600	3.88	8.3	17,100	2.60
3829848	215BNA030****A	FB4CNF036		28,200	12.0	14.0	28,600	3.88	8.4	17,100	2.60
3692794	215BNA030****A	FB4CNF036+TXV		28,200	12.0	14.5	28,600	3.88	8.3	17,100	2.60
3647326	215BNA030****A	FE4AN(B,F)003+UI		28,400	12.5	15.5	28,000	3.94	8.6	16,600	2.66
3647329	215BNA030****A	FE4AN(B,F)005+UI		29,000	13.0	16.0	28,000	4.16	9.0	16,800	2.74
3647339	215BNA030****A	FE4ANF002+UI		28,200	12.5	15.0	28,200	3.92	8.5	16,800	2.62
3647348	215BNA030****A	FF1ENP030		27,600	11.2	13.5	29,000	3.68	8.0	17,500	2.48
3647350	215BNA030****A	FF1ENP031		28,200	12.0	14.5	28,600	3.86	8.2	17,100	2.60
3647351	215BNA030****A	FF1ENP036		28,200	11.2	13.5	29,200	3.74	8.0	17,600	2.52

See notes on page 39

COMBINATION RATINGS CONTINUED

AHRI Ref. No.	Model Number	Coil Model Number	Furnace Model Number	Cooling Capacity	EER	SEER	High Temp		HSPF	Low Temp	
							E Capacity	E COP		H Capacity	H COP
3647354	215BNA030****A	FF1ENP037		28,400	12.0	14.5	28,800	3.86	8.3	17,300	2.60
3647373	215BNA030****A	FV4CN(B,F)003		28,400	12.5	15.5	28,000	3.94	8.6	16,600	2.66
3647376	215BNA030****A	FV4CN(B,F)005		29,000	13.0	16.0	28,000	4.16	9.0	16,800	2.74
3647386	215BNA030****A	FV4CNF002		28,200	12.5	15.3	28,200	3.92	8.5	16,800	2.62
3647403	215BNA030****A	FX4DN(B,F)037		29,200	12.5	15.3	28,800	4.12	8.8	17,100	2.70
3829849	215BNA030****A	FY5BNF030		28,400	12.0	13.5	28,800	3.88	8.4	17,300	2.60
3692782	215BNA030****A	FY5BNF030+TXV		28,400	12.0	14.5	28,800	3.88	8.2	17,300	2.58
3829850	215BNA030****A	FY5BNF036		28,200	11.5	13.5	29,000	3.82	8.2	17,400	2.56
3692783	215BNA030****A	FY5BNF036+TXV		28,200	11.5	14.0	29,000	3.82	8.2	17,500	2.54
4843467	215BNA036****A	FX4DN(B,F)037		34,800	12.5	15.0	35,400	3.92	8.7	21,400	2.64
3647032	215BNA036****A	CAP**3614A**	313*AV024045	33,200	11.0	13.5	35,000	3.56	7.9	21,600	2.46
3646439	215BNA036****A	CAP**3614A**	315(A,J)AV036070	33,200	11.5	14.0	34,600	3.60	8.0	21,200	2.50
3647239	215BNA036****A	CAP**3614A**+TDR		33,200	11.0	13.0	35,400	3.56	7.9	21,800	2.44
3647049	215BNA036****A	CAP**3617A**	313*AV048070	33,400	11.5	14.0	34,800	3.64	8.0	21,400	2.50
3646468	215BNA036****A	CAP**3617A**	315(A,J)AV048090	33,400	12.0	14.5	34,400	3.66	8.1	21,000	2.54
3646679	215BNA036****A	CAP**3617A**	353(A,B)AV036060	33,600	12.0	14.0	34,800	3.72	8.2	21,200	2.56
3646716	215BNA036****A	CAP**3617A**	353(A,B)AV036080	33,600	12.0	14.5	34,600	3.70	8.1	21,000	2.56
3646747	215BNA036****A	CAP**3617A**	353(A,B)AV048080	33,600	12.0	14.0	34,800	3.72	8.2	21,200	2.56
3646641	215BNA036****A	CAP**3617A**	353AAV036040	33,600	12.0	14.5	34,600	3.72	8.2	21,200	2.56
3646834	215BNA036****A	CAP**3617A**	355(A,C)AV042060	33,600	12.0	14.0	34,600	3.68	8.1	21,200	2.54
3647159	215BNA036****A	CAP**3617A**	355BAV042060	33,600	12.0	14.0	34,600	3.68	8.1	21,200	2.54
4194421	215BNA036****A	CAP**3617A**	359BAV036060	33,400	11.5	13.5	35,200	3.64	8.2	21,600	2.50
3829878	215BNA036****A	CAP**3617A**	368RAN036105	33,600	11.5	14.0	34,800	3.66	8.2	21,200	2.52
3829877	215BNA036****A	CAP**3617A**	374RAN036105	33,200	11.5	14.0	34,400	3.60	8.0	21,000	2.50
4805056	215BNA036****A	CAP**3617A**	925*A42060E17***	33,400	11.5	14.0	34,800	3.62	8.0	21,400	2.50
4805057	215BNA036****A	CAP**3617A**	925*A48080E17***	33,200	11.8	14.2	34,600	3.62	8.0	21,000	2.50
4835884	215BNA036****A	CAP**3617A**	986*A42060V17***	33,200	11.4	13.7	34,800	3.60	8.0	21,400	2.48
4835885	215BNA036****A	CAP**3617A**	986*A48080V17***	33,400	11.8	14.2	34,800	3.64	8.2	21,200	2.50
4805054	215BNA036****A	CAP**3617A**	987*A42060V17***	33,000	11.5	14.0	34,400	3.54	8.0	21,000	2.46
4805055	215BNA036****A	CAP**3617A**	987*A42080V17***	33,000	11.8	14.2	34,400	3.58	8.0	20,800	2.48
3647241	215BNA036****A	CAP**3617A**+TDR		33,600	11.0	13.0	35,800	3.62	8.0	22,200	2.46
3646625	215BNA036****A	CAP**3619A**	359BAV036040	33,200	11.0	13.5	35,200	3.56	7.9	21,600	2.46
3646628	215BNA036****A	CAP**3619A**	359BAV036060	33,400	11.5	13.5	35,200	3.64	8.0	21,600	2.50
4805073	215BNA036****A	CAP**3619A**	925*A42060E17***	33,400	11.5	14.0	34,800	3.62	8.0	21,400	2.50
4805074	215BNA036****A	CAP**3619A**	925*A48080E17***	33,200	11.8	14.2	34,600	3.62	8.0	21,000	2.50
4835894	215BNA036****A	CAP**3619A**	986*A42060V17***	33,200	11.4	13.7	34,800	3.60	8.0	21,400	2.48
4835895	215BNA036****A	CAP**3619A**	986*A48080V17***	33,400	11.8	14.2	34,800	3.64	8.2	21,200	2.50
4835896	215BNA036****A	CAP**3619A**	986*A48100V21***	33,400	11.8	14.2	34,800	3.66	8.2	21,200	2.52
4805070	215BNA036****A	CAP**3619A**	987*A42060V17***	33,000	11.5	14.0	34,400	3.54	8.0	21,000	2.46
4805071	215BNA036****A	CAP**3619A**	987*A42080V17***	33,000	11.8	14.2	34,400	3.58	8.0	20,800	2.48
4805072	215BNA036****A	CAP**3619A**	987*A60100V21***	33,200	11.8	14.2	34,400	3.62	8.0	21,000	2.50
3647243	215BNA036****A	CAP**3619A**+TDR		33,600	11.0	13.0	35,800	3.62	8.0	22,200	2.46
3647072	215BNA036****A	CAP**3621A**	313*AV048090	33,800	12.0	14.5	34,600	3.76	8.2	21,000	2.58
3647101	215BNA036****A	CAP**3621A**	313*AV060110	34,000	12.0	14.5	34,800	3.80	8.3	21,200	2.60
3646508	215BNA036****A	CAP**3621A**	315(A,J)AV060110	33,400	12.0	14.5	34,400	3.70	8.1	21,000	2.56
3646777	215BNA036****A	CAP**3621A**	353(A,B)AV060100	33,600	12.0	14.5	34,400	3.74	8.2	20,800	2.58
3646868	215BNA036****A	CAP**3621A**	355(A,C)AV042080	33,400	12.0	14.0	34,600	3.66	8.1	21,000	2.52
3646900	215BNA036****A	CAP**3621A**	355(A,C)AV060080	33,400	12.0	14.5	34,400	3.66	8.1	21,000	2.54
3646935	215BNA036****A	CAP**3621A**	355(A,C)AV060100	33,600	12.0	14.5	34,600	3.70	8.1	21,000	2.54
3647175	215BNA036****A	CAP**3621A**	355BAV042080	33,400	12.0	14.0	34,600	3.66	8.1	21,000	2.52
3647189	215BNA036****A	CAP**3621A**	355BAV060080	33,400	12.0	14.5	34,400	3.66	8.1	21,000	2.54
3647203	215BNA036****A	CAP**3621A**	355BAV060100	33,600	12.0	14.5	34,600	3.70	8.1	21,000	2.54
4194422	215BNA036****A	CAP**3621A**	359BAV036040	33,200	11.0	13.5	35,200	3.58	8.0	21,600	2.46
4194423	215BNA036****A	CAP**3621A**	359BAV036060	33,600	11.5	13.5	35,200	3.66	8.2	21,600	2.52
4194424	215BNA036****A	CAP**3621A**	359BAV060080	34,000	12.0	14.0	35,200	3.78	8.5	21,600	2.58
3829880	215BNA036****A	CAP**3621A**	368RAN060120	33,400	12.0	14.5	34,400	3.70	8.2	20,800	2.56
3829879	215BNA036****A	CAP**3621A**	374RAN060120	33,400	12.0	14.5	34,400	3.66	8.2	20,800	2.54
4805061	215BNA036****A	CAP**3621A**	925*A42060E17***	33,400	11.5	14.0	34,800	3.64	8.2	21,400	2.50
4805062	215BNA036****A	CAP**3621A**	925*A48080E17***	33,400	11.8	14.2	34,600	3.64	8.2	21,000	2.52
4835886	215BNA036****A	CAP**3621A**	986*A42060V17***	33,400	11.5	14.0	34,800	3.62	8.2	21,400	2.50
4835887	215BNA036****A	CAP**3621A**	986*A48080V17***	33,600	11.8	14.2	34,800	3.66	8.2	21,200	2.52
4835888	215BNA036****A	CAP**3621A**	986*A48100V21***	33,600	11.8	14.2	34,800	3.68	8.2	21,200	2.54
4805058	215BNA036****A	CAP**3621A**	987*A42060V17***	33,000	11.8	14.2	34,400	3.56	8.0	20,800	2.48
4805059	215BNA036****A	CAP**3621A**	987*A42080V17***	33,200	11.8	14.2	34,400	3.60	8.0	20,800	2.50
4805060	215BNA036****A	CAP**3621A**	987*A60100V21***	33,200	11.8	14.2	34,400	3.64	8.2	21,000	2.52
3647245	215BNA036****A	CAP**3621A**+TDR		33,600	11.0	13.0	35,800	3.62	8.0	22,200	2.46
3647073	215BNA036****A	CAP**4221A**	313*AV048090	34,000	12.0	14.5	34,800	3.80	8.5	21,200	2.60
3647102	215BNA036****A	CAP**4221A**	313*AV060110	34,200	12.0	14.5	34,800	3.84	8.5	21,200	2.62
3646509	215BNA036****A	CAP**4221A**	315(A,J)AV060110	33,800	12.0	14.5	34,600	3.74	8.2	21,000	2.58
3646778	215BNA036****A	CAP**4221A**	353(A,B)AV060100	34,000	12.0	14.5	34,600	3.78	8.3	21,000	2.60
3646869	215BNA036****A	CAP**4221A**	355(A,C)AV042080	33,600	12.0	14.0	34,800	3.70	8.1	21,200	2.54
3646901	215BNA036****A	CAP**4221A**	355(A,C)AV060080	33,600	12.0	14.5	34,600	3.70	8.1	21,000	2.56
3646936	215BNA036****A	CAP**4221A**	355(A,C)AV060100	33,800	12.0	14.5	34,600	3.74	8.2	21,200	2.56
3647176	215BNA036****A	CAP**4221A**	355BAV042080	33,600	12.0	14.0	34,800	3.70	8.1	21,200	2.54
3647190	215BNA036****A	CAP**4221A**	355BAV060080	33,600	12.0	14.5	34,600	3.70	8.1	21,000	2.56
3647204	215BNA036****A	CAP**4221A**	355BAV060100	33,800	12.0	14.5	34,600	3.74	8.2	21,200	2.56
4194425	215BNA036****A	CAP**4221A**	359BAV036040	33,600	11.5	13.5	35,200	3.62	8.2	21,800	2.48
4194426	215BNA036****A	CAP**4221A**	359BAV036060	33,800	11.5	13.5	35,200	3.70	8.2	21,600	2.54

See notes on page 39

215B

COMBINATION RATINGS CONTINUED

AHRI Ref. No.	Model Number	Coil Model Number	Furnace Model Number	Cooling Capacity	EER	SEER	High Temp		HSPF	Low Temp	
							E Capacity	E COP		H Capacity	H COP
4194427	215BNA036****A	CAP**4221A**	359BAV060080	34,200	12.0	14.0	35,400	3.82	8.5	21,600	2.60
3829882	215BNA036****A	CAP**4221A**	368RAN060120	33,800	12.0	14.5	34,400	3.74	8.2	20,800	2.58
3829881	215BNA036****A	CAP**4221A**	374RAN060120	33,600	12.0	14.5	34,600	3.70	8.2	21,000	2.56
4805066	215BNA036****A	CAP**4221A**	925*A42060E17***	33,600	11.5	14.0	35,000	3.68	8.2	21,400	2.52
4805067	215BNA036****A	CAP**4221A**	925*A48080E17***	33,600	11.8	14.2	34,600	3.68	8.2	21,200	2.54
4835889	215BNA036****A	CAP**4221A**	986*A42060V17***	33,600	11.5	14.0	35,000	3.66	8.2	21,400	2.52
4835890	215BNA036****A	CAP**4221A**	986*A48080V17***	33,800	11.8	14.2	34,800	3.70	8.2	21,200	2.54
4835891	215BNA036****A	CAP**4221A**	986*A48100V21***	33,800	11.8	14.2	35,000	3.74	8.2	21,200	2.56
4805063	215BNA036****A	CAP**4221A**	987*A42060V17***	33,200	11.8	14.2	34,600	3.60	8.0	21,000	2.50
4805064	215BNA036****A	CAP**4221A**	987*A42080V17***	33,400	11.8	14.2	34,400	3.64	8.2	21,000	2.52
4805065	215BNA036****A	CAP**4221A**	987*A60100V21***	33,600	12.0	14.5	34,600	3.68	8.2	21,000	2.54
3647246	215BNA036****A	CAP**4221A**+TDR		33,800	11.2	13.0	35,800	3.66	8.2	22,200	2.48
3646547	215BNA036****A	CAP**4224A**	315(A,J)AV066135	33,800	12.0	14.5	34,400	3.76	8.2	20,800	2.58
3646585	215BNA036****A	CAP**4224A**	315(A,J)AV066155	33,800	12.5	15.0	34,400	3.78	8.3	20,800	2.60
3646970	215BNA036****A	CAP**4224A**	355(A,C)AV060120	33,800	12.0	14.5	34,400	3.74	8.2	21,000	2.58
3647004	215BNA036****A	CAP**4224A**	355AAV042040	33,600	12.0	14.0	34,600	3.68	8.1	21,000	2.54
3647217	215BNA036****A	CAP**4224A**	355BAV060120	33,800	12.0	14.5	34,400	3.74	8.2	21,000	2.58
3646631	215BNA036****A	CAP**4224A**	359BAV060100	34,200	12.0	14.5	35,000	3.82	8.4	21,400	2.60
4835892	215BNA036****A	CAP**4224A**	986*A48100V21***	33,800	11.8	14.2	35,000	3.74	8.2	21,200	2.56
4835893	215BNA036****A	CAP**4224A**	986*A66120V24***	33,800	12.0	14.5	34,600	3.76	8.2	21,000	2.58
4805068	215BNA036****A	CAP**4224A**	987*A60100V21***	33,600	12.0	14.5	34,600	3.68	8.2	21,000	2.54
4805069	215BNA036****A	CAP**4224A**	987*A66120V24***	33,600	12.0	14.5	34,400	3.70	8.2	20,800	2.56
3647248	215BNA036****A	CAP**4224A**+TDR		33,800	11.2	13.0	35,800	3.66	8.2	22,200	2.48
3647036	215BNA036****A	CNPH*3617A**	313*AV024045	33,200	11.2	13.5	35,000	3.56	7.8	21,600	2.46
3647053	215BNA036****A	CNPH*3617A**	313*AV048070	33,200	11.5	13.5	34,800	3.60	7.9	21,200	2.48
3647080	215BNA036****A	CNPH*3617A**	313*AV048090	33,400	12.0	14.5	34,600	3.68	8.1	21,000	2.54
3647108	215BNA036****A	CNPH*3617A**	313*AV060110	33,600	12.0	14.5	34,600	3.70	8.1	21,000	2.56
3646445	215BNA036****A	CNPH*3617A**	315(A,J)AV036070	33,200	11.5	14.0	34,600	3.60	7.9	21,000	2.50
3646476	215BNA036****A	CNPH*3617A**	315(A,J)AV048090	33,400	12.0	14.0	34,400	3.64	8.0	21,000	2.52
3646519	215BNA036****A	CNPH*3617A**	315(A,J)AV060110	33,400	12.0	14.0	34,400	3.66	8.0	21,000	2.52
3646557	215BNA036****A	CNPH*3617A**	315(A,J)AV066135	33,400	12.0	14.5	34,400	3.66	8.0	21,000	2.54
3646595	215BNA036****A	CNPH*3617A**	315(A,J)AV066155	33,400	12.0	14.5	34,400	3.68	8.1	20,800	2.54
3646686	215BNA036****A	CNPH*3617A**	353(A,B)AV036060	33,600	12.0	14.0	34,600	3.68	8.1	21,200	2.54
3646722	215BNA036****A	CNPH*3617A**	353(A,B)AV036080	33,400	12.0	14.0	34,600	3.66	8.1	21,000	2.54
3646752	215BNA036****A	CNPH*3617A**	353(A,B)AV048080	33,400	12.0	14.0	34,600	3.68	8.1	21,200	2.54
3646784	215BNA036****A	CNPH*3617A**	353(A,B)AV060100	33,400	12.0	14.5	34,400	3.66	8.1	20,800	2.54
3646648	215BNA036****A	CNPH*3617A**	353AAV036040	33,400	12.0	14.0	34,600	3.68	8.1	21,000	2.54
3646841	215BNA036****A	CNPH*3617A**	355(A,C)AV042060	33,400	12.0	14.0	34,600	3.66	8.1	21,200	2.52
3646877	215BNA036****A	CNPH*3617A**	355(A,C)AV042080	33,200	11.5	14.0	34,600	3.62	8.0	21,200	2.50
3646910	215BNA036****A	CNPH*3617A**	355(A,C)AV060080	33,200	11.5	14.0	34,400	3.62	8.0	21,000	2.50
3646945	215BNA036****A	CNPH*3617A**	355(A,C)AV060100	33,400	12.0	14.0	34,600	3.66	8.0	21,200	2.52
3646979	215BNA036****A	CNPH*3617A**	355(A,C)AV060120	33,400	12.0	14.0	34,400	3.64	8.0	21,000	2.52
3647012	215BNA036****A	CNPH*3617A**	355AAV042040	33,200	11.5	14.0	34,600	3.58	7.9	21,200	2.48
3756426	215BNA036****A	CNPH*3617A**	359BAV036040	33,000	11.2	13.0	34,800	3.54	8.0	21,600	2.44
3756427	215BNA036****A	CNPH*3617A**	359BAV036060	33,400	11.5	13.5	34,800	3.60	8.0	21,600	2.48
3756428	215BNA036****A	CNPH*3617A**	359BAV060080	33,800	11.5	14.0	34,800	3.70	8.2	21,600	2.54
3756429	215BNA036****A	CNPH*3617A**	359BAV060100	33,600	12.0	14.0	34,800	3.68	8.2	21,200	2.54
3829894	215BNA036****A	CNPH*3617A**	368RAN06105	33,400	11.5	14.0	34,800	3.64	8.2	21,400	2.52
3829896	215BNA036****A	CNPH*3617A**	368RAN060120	33,400	12.0	14.5	34,400	3.66	8.2	20,800	2.54
3829893	215BNA036****A	CNPH*3617A**	374RAN036105	33,000	11.5	14.0	34,400	3.58	8.0	21,000	2.48
3829895	215BNA036****A	CNPH*3617A**	374RAN060120	33,200	11.5	14.0	34,600	3.62	8.0	21,000	2.50
4805103	215BNA036****A	CNPH*3617A**	925*A42060E17***	33,200	11.4	13.7	34,800	3.58	8.0	21,200	2.48
4805104	215BNA036****A	CNPH*3617A**	925*A48080E17***	33,200	11.8	14.2	34,400	3.58	8.0	21,000	2.48
4835910	215BNA036****A	CNPH*3617A**	986*A42060V17***	33,200	11.4	13.7	34,800	3.56	8.0	21,200	2.46
4835911	215BNA036****A	CNPH*3617A**	986*A48080V17***	33,200	11.5	14.0	34,600	3.60	8.0	21,200	2.50
4835912	215BNA036****A	CNPH*3617A**	986*A48100V21***	33,200	11.5	14.0	34,600	3.62	8.0	21,200	2.50
4835913	215BNA036****A	CNPH*3617A**	986*A66120V24***	33,200	11.8	14.2	34,400	3.62	8.0	20,800	2.50
4805099	215BNA036****A	CNPH*3617A**	987*A42060V17***	32,800	11.4	13.7	34,400	3.52	8.0	21,000	2.46
4805100	215BNA036****A	CNPH*3617A**	987*A42080V17***	33,000	11.5	14.0	34,400	3.56	8.0	21,000	2.48
4805101	215BNA036****A	CNPH*3617A**	987*A60100V21***	33,200	11.8	14.2	34,600	3.58	8.0	21,000	2.50
4805102	215BNA036****A	CNPH*3617A**	987*A66120V24***	33,200	11.8	14.2	34,400	3.60	8.0	20,800	2.50
4194461	215BNA036****A	CNPH*3617A**	OVLAAB036098	33,000	11.5	13.5	34,800	3.56	8.0	21,400	2.46
4194463	215BNA036****A	CNPH*3617A**	OVLAAB048112	33,400	11.5	13.5	35,000	3.64	8.2	21,400	2.50
4194464	215BNA036****A	CNPH*3617A**	OVLAAB060154	34,200	12.0	14.0	35,400	3.78	8.5	21,600	2.58
4194460	215BNA036****A	CNPH*3617A**	OVMAAB036098	33,200	11.5	13.5	35,000	3.56	8.0	21,400	2.46
4194462	215BNA036****A	CNPH*3617A**	OVMAAB042112	33,200	11.5	14.0	34,800	3.62	8.2	21,200	2.50
3647275	215BNA036****A	CNPH*3617A**+TDR		33,600	11.0	13.0	35,800	3.60	8.0	22,200	2.46
3647037	215BNA036****A	CNPH*4221A**	313*AV024045	33,600	11.2	13.5	35,200	3.64	8.0	21,600	2.50
3647054	215BNA036****A	CNPH*4221A**	313*AV048070	33,600	11.5	14.0	35,000	3.68	8.1	21,400	2.52
3647081	215BNA036****A	CNPH*4221A**	313*AV048090	34,000	12.0	14.5	34,800	3.78	8.5	21,200	2.58
3647109	215BNA036****A	CNPH*4221A**	313*AV060110	34,000	12.0	14.5	34,800	3.80	8.5	21,200	2.60
3646446	215BNA036****A	CNPH*4221A**	315(A,J)AV036070	33,600	12.0	14.0	34,800	3.68	8.1	21,200	2.54
3646477	215BNA036****A	CNPH*4221A**	315(A,J)AV048090	33,600	12.0	14.5	34,600	3.72	8.2	21,000	2.56
3646520	215BNA036****A	CNPH*4221A**	315(A,J)AV060110	33,800	12.0	14.5	34,600	3.74	8.2	21,000	2.56
3646558	215BNA036****A	CNPH*4221A**	315(A,J)AV066135	33,800	12.0	14.5	34,400	3.74	8.2	21,000	2.58
3646596	215BNA036****A	CNPH*4221A**	315(A,J)AV066155	33,800	12.0	14.5	34,400	3.76	8.3	21,000	2.58
3646687	215BNA036****A	CNPH*4221A**	353(A,B)AV036060	34,000	12.0	14.5	34,800	3.78	8.3	21,200	2.58
3646723	215BNA036****A	CNPH*4221A**	353(A,B)AV036080	34,000	12.0	14.5	34,800	3.76	8.3	21,200	2.58
3646753	215BNA036****A	CNPH*4221A**	353(A,B)AV048080	34,000	12.0	14.5	34,800	3.76	8.3	21,200	2.58

See notes on page 39

COMBINATION RATINGS CONTINUED

AHRI Ref. No.	Model Number	Coil Model Number	Furnace Model Number	Cooling Capacity	EER	SEER	High Temp		HSPF	Low Temp	
							E Capacity	E COP		H Capacity	H COP
3646785	215BNA036****A	CNPH*4221A**	353(A,B)AV060100	33,800	12.0	14.5	34,600	3.76	8.3	21,000	2.58
3646649	215BNA036****A	CNPH*4221A**	353AAV036040	34,000	12.0	14.5	34,800	3.78	8.3	21,200	2.58
3646842	215BNA036****A	CNPH*4221A**	355(A,C)AV042060	33,800	12.0	14.5	34,800	3.74	8.2	21,200	2.56
3646878	215BNA036****A	CNPH*4221A**	355(A,C)AV042080	33,600	12.0	14.0	34,800	3.70	8.1	21,200	2.54
3646911	215BNA036****A	CNPH*4221A**	355(A,C)AV060080	33,600	12.0	14.0	34,600	3.70	8.1	21,200	2.54
3646946	215BNA036****A	CNPH*4221A**	355(A,C)AV060100	33,800	12.0	14.5	34,600	3.74	8.2	21,200	2.56
3646980	215BNA036****A	CNPH*4221A**	355(A,C)AV060120	33,800	12.0	14.5	34,400	3.72	8.2	21,000	2.56
3647013	215BNA036****A	CNPH*4221A**	355AAV042040	33,600	11.5	14.0	34,600	3.66	8.1	21,200	2.52
3756430	215BNA036****A	CNPH*4221A**	359BAV036040	33,400	11.5	13.5	35,000	3.62	8.0	21,800	2.48
3756431	215BNA036****A	CNPH*4221A**	359BAV036060	33,800	11.5	13.5	35,000	3.68	8.2	21,600	2.52
3756432	215BNA036****A	CNPH*4221A**	359BAV060080	34,200	12.0	14.0	35,000	3.80	8.4	21,600	2.58
3756433	215BNA036****A	CNPH*4221A**	359BAV060100	34,000	12.0	14.0	35,000	3.78	8.3	21,400	2.58
3829898	215BNA036****A	CNPH*4221A**	368RAN036105	33,800	11.5	14.0	35,000	3.72	8.4	21,400	2.56
3829900	215BNA036****A	CNPH*4221A**	368RAN060120	33,800	12.0	14.5	34,600	3.74	8.2	21,000	2.58
3829897	215BNA036****A	CNPH*4221A**	374RAN036105	33,400	12.0	14.0	34,600	3.66	8.2	21,000	2.52
3829899	215BNA036****A	CNPH*4221A**	374RAN060120	33,600	12.0	14.5	34,600	3.70	8.2	21,000	2.54
4805109	215BNA036****A	CNPH*4221A**	925*A42060E17***	33,600	11.5	14.0	35,000	3.66	8.2	21,400	2.52
4805110	215BNA036****A	CNPH*4221A**	925*A48080E17***	33,600	11.8	14.2	34,600	3.66	8.2	21,200	2.52
4835914	215BNA036****A	CNPH*4221A**	986*A42060V17***	33,600	11.5	14.0	35,000	3.66	8.2	21,400	2.50
4835915	215BNA036****A	CNPH*4221A**	986*A48080V17***	33,800	11.8	14.2	34,800	3.70	8.2	21,200	2.54
4835916	215BNA036****A	CNPH*4221A**	986*A48100V21***	33,800	11.8	14.2	34,800	3.70	8.2	21,200	2.54
4835917	215BNA036****A	CNPH*4221A**	986*A66120V24***	33,600	12.0	14.5	34,600	3.72	8.2	21,000	2.56
4805105	215BNA036****A	CNPH*4221A**	987*A42060V17***	33,200	11.5	14.0	34,600	3.60	8.0	21,000	2.48
4805106	215BNA036****A	CNPH*4221A**	987*A42080V17***	33,400	11.8	14.2	34,600	3.64	8.2	21,000	2.52
4805107	215BNA036****A	CNPH*4221A**	987*A60100V21***	33,600	11.8	14.2	34,600	3.66	8.2	21,000	2.52
4805108	215BNA036****A	CNPH*4221A**	987*A66120V24***	33,600	12.0	14.5	34,600	3.68	8.2	21,000	2.54
4194466	215BNA036****A	CNPH*4221A**	OVLAA036098	33,400	11.5	13.5	35,000	3.64	8.2	21,400	2.50
4194468	215BNA036****A	CNPH*4221A**	OVLAA048112	33,800	11.5	14.0	35,000	3.72	8.4	21,400	2.54
4194469	215BNA036****A	CNPH*4221A**	OVLAA060154	34,600	12.0	14.5	35,400	3.88	8.7	21,800	2.62
4194465	215BNA036****A	CNPH*4221A**	OVMAA036098	33,600	11.5	13.5	35,000	3.64	8.2	21,400	2.50
4194467	215BNA036****A	CNPH*4221A**	OVMAA042112	33,800	12.0	14.0	34,800	3.70	8.2	21,200	2.54
3647276	215BNA036****A	CNPH*4221A**+TDR		33,800	11.2	13.0	35,800	3.66	8.2	22,200	2.50
3756434	215BNA036****A	CNPH*4321A**	359BAV036040	34,600	11.5	14.0	35,800	3.80	8.3	22,000	2.56
3756435	215BNA036****A	CNPH*4321A**	359BAV036060	35,000	12.0	14.0	35,800	3.90	8.5	22,000	2.62
3756436	215BNA036****A	CNPH*4321A**	359BAV060080	35,400	12.2	14.5	35,800	4.02	8.8	22,000	2.68
3756437	215BNA036****A	CNPH*4321A**	359BAV060100	35,200	12.5	15.0	35,600	4.00	8.7	21,600	2.68
3829902	215BNA036****A	CNPH*4321A**	368RAN036105	34,800	12.0	14.5	35,400	3.92	8.5	21,600	2.64
3829904	215BNA036****A	CNPH*4321A**	368RAN060120	34,800	12.5	15.0	35,000	3.94	8.5	21,200	2.66
3829901	215BNA036****A	CNPH*4321A**	374RAN036105	34,400	12.0	14.5	35,000	3.86	8.5	21,200	2.62
3829903	215BNA036****A	CNPH*4321A**	374RAN060120	34,600	12.5	15.0	35,000	3.90	8.5	21,200	2.64
4805115	215BNA036****A	CNPH*4321A**	925*A42060E17***	34,800	12.0	14.5	35,400	3.88	8.5	21,800	2.60
4805116	215BNA036****A	CNPH*4321A**	925*A48080E17***	34,600	12.0	14.5	35,200	3.88	8.5	21,400	2.62
4835918	215BNA036****A	CNPH*4321A**	986*A42060V17***	34,200	12.0	14.5	35,000	3.78	8.5	21,200	2.58
4835929	215BNA036****A	CNPH*4321A**	986*A48080V17***	34,400	12.0	14.5	35,000	3.84	8.5	21,200	2.60
4835919	215BNA036****A	CNPH*4321A**	986*A48100V21***	34,400	12.0	14.5	34,800	3.86	8.5	21,200	2.62
4835920	215BNA036****A	CNPH*4321A**	986*A66120V24***	34,400	12.5	15.2	34,800	3.88	8.5	21,000	2.62
4805111	215BNA036****A	CNPH*4321A**	987*A42060V17***	34,200	12.0	14.5	35,000	3.78	8.5	21,200	2.58
4805112	215BNA036****A	CNPH*4321A**	987*A42080V17***	34,400	12.0	14.5	34,800	3.82	8.5	21,200	2.60
4805113	215BNA036****A	CNPH*4321A**	987*A60100V21***	34,600	12.0	14.5	35,000	3.86	8.5	21,200	2.62
4805114	215BNA036****A	CNPH*4321A**	987*A66120V24***	34,600	12.5	15.0	34,800	3.88	8.5	21,200	2.64
4194471	215BNA036****A	CNPH*4321A**	OVLAA036098	34,400	12.0	14.0	35,400	3.82	8.5	21,600	2.58
4194473	215BNA036****A	CNPH*4321A**	OVLAA048112	34,800	12.0	14.5	35,400	3.92	8.5	21,600	2.64
4194474	215BNA036****A	CNPH*4321A**	OVLAA060154	35,600	12.5	15.0	35,800	4.10	9.0	22,000	2.72
4194470	215BNA036****A	CNPH*4321A**	OVMAA036098	34,600	12.0	14.0	35,400	3.84	8.5	21,600	2.60
4194472	215BNA036****A	CNPH*4321A**	OVMAA042112	34,600	12.0	14.5	35,200	3.90	8.5	21,400	2.62
3647060	215BNA036****A	CNPV*3617A**	313*AV048070	33,200	11.5	13.5	34,800	3.60	7.9	21,200	2.48
3646491	215BNA036****A	CNPV*3617A**	315(A,J)AV048090	33,400	12.0	14.0	34,400	3.64	8.0	21,000	2.52
3646698	215BNA036****A	CNPV*3617A**	353(A,B)AV036060	33,600	12.0	14.0	34,600	3.68	8.1	21,200	2.54
3646732	215BNA036****A	CNPV*3617A**	353(A,B)AV036080	33,400	12.0	14.0	34,600	3.66	8.1	21,000	2.54
3646763	215BNA036****A	CNPV*3617A**	353(A,B)AV048080	33,400	12.0	14.0	34,600	3.68	8.1	21,200	2.54
3646660	215BNA036****A	CNPV*3617A**	353AAV036040	33,400	12.0	14.0	34,600	3.68	8.1	21,000	2.54
3646853	215BNA036****A	CNPV*3617A**	355(A,C)AV042060	33,400	12.0	14.0	34,600	3.66	8.1	21,200	2.52
3647169	215BNA036****A	CNPV*3617A**	355BAV042060	33,400	12.0	14.0	34,600	3.66	8.1	21,200	2.52
4194428	215BNA036****A	CNPV*3617A**	359BAV036040	33,000	11.0	13.0	35,000	3.54	8.0	21,600	2.44
4194429	215BNA036****A	CNPV*3617A**	359BAV036060	33,400	11.0	13.5	35,000	3.60	8.0	21,600	2.48
3829884	215BNA036****A	CNPV*3617A**	368RAN036105	33,400	11.5	14.0	34,800	3.64	8.2	21,400	2.52
3829883	215BNA036****A	CNPV*3617A**	374RAN036105	33,000	11.5	14.0	34,400	3.58	8.0	21,000	2.48
4805077	215BNA036****A	CNPV*3617A**	925*A42060E17***	33,200	11.4	13.7	34,800	3.58	8.0	21,200	2.48
4805078	215BNA036****A	CNPV*3617A**	925*A48080E17***	33,200	11.8	14.2	34,400	3.58	8.0	21,000	2.48
4835897	215BNA036****A	CNPV*3617A**	986*A42060V17***	33,200	11.4	13.7	34,800	3.56	8.0	21,200	2.46
4835898	215BNA036****A	CNPV*3617A**	986*A48080V17***	33,200	11.5	14.0	34,600	3.60	8.0	21,200	2.50
4805075	215BNA036****A	CNPV*3617A**	987*A42060V17***	32,800	11.4	13.7	34,400	3.52	8.0	21,000	2.46
4805076	215BNA036****A	CNPV*3617A**	987*A42080V17***	33,000	11.5	14.0	34,400	3.56	8.0	21,000	2.48
4194442	215BNA036****A	CNPV*3617A**	OVLAA036098	33,000	11.5	13.5	34,800	3.56	8.0	21,400	2.46
4194441	215BNA036****A	CNPV*3617A**	OVMAA036098	33,200	11.5	13.5	35,000	3.56	8.0	21,400	2.46
4194443	215BNA036****A	CNPV*3617A**	OVMAA042112	33,200	11.5	14.0	34,800	3.62	8.2	21,200	2.50
3647296	215BNA036****A	CNPV*3617A**+TDR		33,600	11.0	13.0	35,800	3.60	8.0	22,200	2.46
3647088	215BNA036****A	CNPV*3621A**	313*AV048090	33,600	12.0	14.5	34,600	3.70	8.1	21,000	2.54
3647117	215BNA036****A	CNPV*3621A**	313*AV060110	33,600	12.0	14.5	34,600	3.72	8.2	21,000	2.56

See notes on page 39

215B

COMBINATION RATINGS CONTINUED

AHRI Ref. No.	Model Number	Coil Model Number	Furnace Model Number	Cooling Capacity	EER	SEER	High Temp		HSPF	Low Temp	
							E Capacity	E COP		H Capacity	H COP
3646529	215BNA036****A	CNPV*3621A**	315(A,J)AV060110	33,400	12.0	14.0	34,400	3.66	8.0	21,000	2.52
3646793	215BNA036****A	CNPV*3621A**	353(A,B)AV060100	33,400	12.0	14.5	34,400	3.68	8.1	20,800	2.54
3646882	215BNA036****A	CNPV*3621A**	355(A,C)AV042080	33,200	11.5	14.0	34,600	3.62	8.0	21,200	2.50
3646918	215BNA036****A	CNPV*3621A**	355(A,C)AV060080	33,200	12.0	14.0	34,400	3.62	8.0	21,000	2.50
3646953	215BNA036****A	CNPV*3621A**	355(A,C)AV060100	33,400	12.0	14.0	34,600	3.66	8.1	21,200	2.52
3647180	215BNA036****A	CNPV*3621A**	355BAV042080	33,200	11.5	14.0	34,600	3.62	8.0	21,200	2.50
3647196	215BNA036****A	CNPV*3621A**	355BAV060080	33,200	12.0	14.0	34,400	3.62	8.0	21,000	2.50
3647210	215BNA036****A	CNPV*3621A**	355BAV060100	33,400	12.0	14.0	34,600	3.66	8.1	21,200	2.52
4194430	215BNA036****A	CNPV*3621A**	359BAV036040	33,000	11.0	13.0	35,000	3.54	8.0	21,600	2.44
4194431	215BNA036****A	CNPV*3621A**	359BAV036060	33,400	11.5	13.5	35,000	3.62	8.2	21,600	2.48
4194432	215BNA036****A	CNPV*3621A**	359BAV060080	33,800	11.5	14.0	35,200	3.72	8.4	21,600	2.54
3829886	215BNA036****A	CNPV*3621A**	368RAN060120	33,400	12.0	14.5	34,400	3.66	8.2	20,800	2.54
3829885	215BNA036****A	CNPV*3621A**	374RAN060120	33,200	12.0	14.0	34,400	3.62	8.0	21,000	2.52
4805082	215BNA036****A	CNPV*3621A**	925*A42060E17***	33,200	11.4	13.7	34,800	3.60	8.0	21,200	2.48
4805083	215BNA036****A	CNPV*3621A**	925*A48080E17***	33,200	11.8	14.2	34,400	3.60	8.0	21,000	2.50
4835899	215BNA036****A	CNPV*3621A**	986*A42060V17***	33,200	11.4	13.7	34,800	3.58	8.0	21,200	2.48
4835900	215BNA036****A	CNPV*3621A**	986*A48080V17***	33,400	11.5	14.0	34,600	3.62	8.0	21,200	2.50
4835901	215BNA036****A	CNPV*3621A**	986*A48100V21***	33,400	11.8	14.2	34,600	3.62	8.2	21,200	2.50
4805079	215BNA036****A	CNPV*3621A**	987*A42060V17***	32,800	11.4	13.7	34,400	3.52	8.0	21,000	2.46
4805080	215BNA036****A	CNPV*3621A**	987*A42080V17***	33,000	11.8	14.2	34,400	3.56	8.0	21,000	2.48
4805081	215BNA036****A	CNPV*3621A**	987*A60100V21***	33,200	11.8	14.2	34,400	3.60	8.0	21,000	2.50
4194445	215BNA036****A	CNPV*3621A**	OVLAAB036098	33,000	11.5	13.5	34,800	3.56	8.0	21,400	2.46
4194447	215BNA036****A	CNPV*3621A**	OVLAAB048112	33,400	11.5	13.5	35,000	3.64	8.2	21,400	2.50
4194444	215BNA036****A	CNPV*3621A**	OVMAAB036098	33,200	11.5	13.5	35,000	3.58	8.0	21,400	2.48
4194446	215BNA036****A	CNPV*3621A**	OVMAAB042112	33,400	11.5	14.0	34,800	3.62	8.2	21,200	2.50
3647298	215BNA036****A	CNPV*3621A**+TDR		33,600	11.0	13.0	35,800	3.60	8.0	22,200	2.46
3647062	215BNA036****A	CNPV*3717A**	313*AV048070	34,600	12.0	14.5	35,400	3.88	8.5	21,600	2.60
3646493	215BNA036****A	CNPV*3717A**	315(A,J)AV048090	34,600	12.5	15.0	35,000	3.90	8.5	21,200	2.64
3646700	215BNA036****A	CNPV*3717A**	353(A,B)AV036060	35,000	12.0	14.5	35,400	3.96	8.8	21,600	2.66
3646734	215BNA036****A	CNPV*3717A**	353(A,B)AV036080	34,800	12.0	14.5	35,200	3.94	8.7	21,400	2.66
3646765	215BNA036****A	CNPV*3717A**	353(A,B)AV048080	35,000	12.0	14.5	35,400	3.96	8.7	21,600	2.66
3646662	215BNA036****A	CNPV*3717A**	353AAV036040	35,000	12.5	15.0	35,200	3.96	8.7	21,400	2.66
3646855	215BNA036****A	CNPV*3717A**	355(A,C)AV042060	34,800	12.5	15.0	35,200	3.94	8.7	21,400	2.64
3647171	215BNA036****A	CNPV*3717A**	355BAV02060	34,800	12.5	15.0	35,200	3.94	8.7	21,400	2.64
4194433	215BNA036****A	CNPV*3717A**	359BAV036040	34,400	11.5	13.5	35,800	3.78	8.5	22,000	2.56
4194434	215BNA036****A	CNPV*3717A**	359BAV036060	34,800	12.0	14.0	35,800	3.88	8.5	22,000	2.60
3829888	215BNA036****A	CNPV*3717A**	368RAN036105	34,800	12.0	14.5	35,400	3.90	8.5	21,600	2.62
3829887	215BNA036****A	CNPV*3717A**	374RAN036105	34,400	12.0	14.5	35,000	3.84	8.5	21,200	2.60
4805086	215BNA036****A	CNPV*3717A**	925*A42060E17***	34,600	12.0	14.5	35,400	3.86	8.5	21,600	2.60
4805087	215BNA036****A	CNPV*3717A**	925*A48080E17***	34,600	12.0	14.5	35,200	3.86	8.5	21,400	2.60
4835902	215BNA036****A	CNPV*3717A**	986*A48080V17***	34,200	12.0	14.5	35,000	3.82	8.5	21,200	2.60
4805084	215BNA036****A	CNPV*3717A**	987*A42060V17***	34,200	12.0	14.5	35,000	3.78	8.2	21,400	2.56
4805085	215BNA036****A	CNPV*3717A**	987*A42080V17***	34,200	12.0	14.5	35,000	3.82	8.5	21,200	2.60
4194449	215BNA036****A	CNPV*3717A**	OVLAAB036098	34,400	12.0	14.0	35,400	3.82	8.5	21,600	2.58
4194448	215BNA036****A	CNPV*3717A**	OVMAAB036098	34,600	12.0	14.0	35,400	3.82	8.5	21,800	2.58
4194450	215BNA036****A	CNPV*3717A**	OVMAAB042112	34,600	12.0	14.5	35,200	3.88	8.5	21,400	2.62
3647300	215BNA036****A	CNPV*3717A**+TDR		35,000	11.5	13.5	36,000	3.84	8.5	22,600	2.56
3647063	215BNA036****A	CNPV*4217A**	313*AV048070	34,000	12.0	14.0	35,200	3.74	8.2	21,400	2.56
3646494	215BNA036****A	CNPV*4217A**	315(A,J)AV048090	34,000	12.0	14.5	34,800	3.78	8.5	21,000	2.58
3646701	215BNA036****A	CNPV*4217A**	353(A,B)AV036060	34,200	12.0	14.5	35,000	3.82	8.5	21,400	2.60
3646735	215BNA036****A	CNPV*4217A**	353(A,B)AV036080	34,200	12.0	14.5	35,000	3.80	8.5	21,200	2.60
3646766	215BNA036****A	CNPV*4217A**	353(A,B)AV048080	34,200	12.0	14.5	35,000	3.82	8.5	21,400	2.60
3646663	215BNA036****A	CNPV*4217A**	353AAV036040	34,200	12.0	14.5	35,000	3.82	8.5	21,200	2.60
3646856	215BNA036****A	CNPV*4217A**	355(A,C)AV042060	34,200	12.0	14.5	35,000	3.80	8.5	21,400	2.58
3647172	215BNA036****A	CNPV*4217A**	355BAV042060	34,200	12.0	14.5	35,000	3.80	8.5	21,400	2.58
4194435	215BNA036****A	CNPV*4217A**	359BAV036040	33,800	11.5	13.5	35,400	3.66	8.2	21,800	2.50
4194436	215BNA036****A	CNPV*4217A**	359BAV036060	34,000	11.5	14.0	35,400	3.74	8.2	21,800	2.54
3829890	215BNA036****A	CNPV*4217A**	368RAN036105	34,200	12.0	14.0	35,200	3.78	8.4	21,400	2.58
3829889	215BNA036****A	CNPV*4217A**	374RAN036105	33,800	12.0	14.5	34,800	3.70	8.2	21,200	2.54
4805090	215BNA036****A	CNPV*4217A**	925*A42060E17***	34,000	11.8	14.2	35,200	3.72	8.2	21,400	2.54
4805091	215BNA036****A	CNPV*4217A**	925*A48080E17***	33,800	12.0	14.5	34,800	3.72	8.2	21,200	2.54
4835903	215BNA036****A	CNPV*4217A**	986*A42060V17***	33,800	11.5	14.0	35,200	3.70	8.2	21,600	2.52
4835904	215BNA036****A	CNPV*4217A**	986*A48080V17***	34,000	11.8	14.2	35,000	3.74	8.2	21,400	2.56
4805088	215BNA036****A	CNPV*4217A**	987*A42060V17***	33,400	11.8	14.2	34,800	3.64	8.2	21,200	2.50
4805089	215BNA036****A	CNPV*4217A**	987*A42080V17***	33,600	12.0	14.5	34,600	3.68	8.2	21,000	2.54
4194452	215BNA036****A	CNPV*4217A**	OVLAAB036098	33,800	11.5	14.0	35,000	3.68	8.2	21,400	2.52
4194451	215BNA036****A	CNPV*4217A**	OVMAAB036098	33,800	11.5	14.0	35,200	3.70	8.2	21,600	2.52
4194453	215BNA036****A	CNPV*4217A**	OVMAAB042112	34,000	12.0	14.0	35,000	3.76	8.2	21,400	2.56
3647301	215BNA036****A	CNPV*4217A**+TDR		34,000	11.2	13.5	36,000	3.72	8.2	22,400	2.52
3647089	215BNA036****A	CNPV*4221A**	313*AV048090	34,000	12.0	14.5	34,800	3.78	8.5	21,200	2.58
3647118	215BNA036****A	CNPV*4221A**	313*AV060110	34,000	12.0	14.5	34,800	3.80	8.5	21,200	2.60
3646530	215BNA036****A	CNPV*4221A**	315(A,J)AV060110	33,800	12.0	14.5	34,600	3.74	8.2	21,000	2.56
3646794	215BNA036****A	CNPV*4221A**	353(A,B)AV060100	33,800	12.0	14.5	34,600	3.76	8.2	21,000	2.58
3646884	215BNA036****A	CNPV*4221A**	355(A,C)AV042080	33,600	12.0	14.0	34,800	3.70	8.1	21,200	2.54
3646919	215BNA036****A	CNPV*4221A**	355(A,C)AV060080	33,600	12.0	14.0	34,600	3.70	8.1	21,200	2.54
3646954	215BNA036****A	CNPV*4221A**	355(A,C)AV060100	33,800	12.0	14.5	34,600	3.74	8.2	21,200	2.56
3647182	215BNA036****A	CNPV*4221A**	355BAV042080	33,600	12.0	14.0	34,800	3.70	8.1	21,200	2.54
3647197	215BNA036****A	CNPV*4221A**	355BAV060080	33,600	12.0	14.0	34,600	3.70	8.1	21,200	2.54
3647211	215BNA036****A	CNPV*4221A**	355BAV060100	33,800	12.0	14.5	34,600	3.74	8.2	21,200	2.56

See notes on page 39

COMBINATION RATINGS CONTINUED

AHRI Ref. No.	Model Number	Coil Model Number	Furnace Model Number	Cooling Capacity	EER	SEER	High Temp		HSPF	Low Temp	
							E Capacity	E COP		H Capacity	H COP
4194437	215BNA036****A	CNPV*4221A**	359BAV036040	33,400	11.0	13.5	35,200	3.62	8.2	21,800	2.48
4194438	215BNA036****A	CNPV*4221A**	359BAV036060	33,800	11.5	13.5	35,200	3.68	8.2	21,600	2.52
4194439	215BNA036****A	CNPV*4221A**	359BAV060080	34,200	12.0	14.0	35,400	3.80	8.5	21,600	2.58
3829892	215BNA036****A	CNPV*4221A**	368RAN060120	33,800	12.0	14.5	34,600	3.74	8.4	21,000	2.58
3829891	215BNA036****A	CNPV*4221A**	374RAN060120	33,600	12.0	14.5	34,600	3.70	8.2	21,000	2.54
4805095	215BNA036****A	CNPV*4221A**	925*A42060E17***	33,600	11.5	14.0	35,000	3.66	8.2	21,400	2.52
4805096	215BNA036****A	CNPV*4221A**	925*A48080E17***	33,600	11.8	14.2	34,600	3.66	8.2	21,200	2.52
4835905	215BNA036****A	CNPV*4221A**	986*A42060V17***	33,600	11.5	14.0	35,000	3.66	8.2	21,400	2.50
4835906	215BNA036****A	CNPV*4221A**	986*A48080V17***	33,800	11.8	14.2	34,800	3.70	8.2	21,200	2.54
4835907	215BNA036****A	CNPV*4221A**	986*A48100V21***	33,800	11.8	14.2	34,800	3.70	8.2	21,200	2.54
4805092	215BNA036****A	CNPV*4221A**	987*A42060V17***	33,200	11.5	14.0	34,600	3.60	8.0	21,000	2.48
4805093	215BNA036****A	CNPV*4221A**	987*A42080V17***	33,400	11.8	14.2	34,600	3.64	8.2	21,000	2.52
4805094	215BNA036****A	CNPV*4221A**	987*A60100V21***	33,600	11.8	14.2	34,600	3.66	8.2	21,000	2.52
4194455	215BNA036****A	CNPV*4221A**	OVLAAB036098	33,400	11.5	13.5	35,000	3.64	8.2	21,400	2.50
4194457	215BNA036****A	CNPV*4221A**	OVLAAB048112	33,800	11.5	14.0	35,000	3.72	8.4	21,400	2.54
4194454	215BNA036****A	CNPV*4221A**	OVMAAB036098	33,600	11.5	13.5	35,000	3.64	8.2	21,400	2.50
4194456	215BNA036****A	CNPV*4221A**	OVMAAB042112	33,800	12.0	14.0	34,800	3.70	8.2	21,200	2.54
3647303	215BNA036****A	CNPV*4221A** + TDR		33,800	11.2	13.0	35,800	3.66	8.2	22,200	2.50
3646566	215BNA036****A	CNPV*4324A**	315(A,J)AV066135	34,800	12.5	15.0	34,800	3.96	8.6	21,200	2.68
3646604	215BNA036****A	CNPV*4324A**	315(A,J)AV066155	34,800	12.5	15.5	34,800	4.00	8.7	21,000	2.70
3646886	215BNA036****A	CNPV*4324A**	355(A,C)AV042080	34,800	12.2	14.5	35,200	3.92	8.5	21,400	2.64
3646921	215BNA036****A	CNPV*4324A**	355(A,C)AV060080	34,600	12.5	15.0	35,000	3.92	8.5	21,200	2.64
3646986	215BNA036****A	CNPV*4324A**	355(A,C)AV060120	34,800	12.5	15.0	35,000	3.94	8.6	21,200	2.66
3647016	215BNA036****A	CNPV*4324A**	355AAV042040	34,600	12.2	14.5	35,000	3.88	8.5	21,400	2.62
3647184	215BNA036****A	CNPV*4324A**	355BAV042080	34,800	12.2	14.5	35,200	3.92	8.5	21,400	2.64
3647199	215BNA036****A	CNPV*4324A**	355BAV060080	34,600	12.5	15.0	35,000	3.92	8.5	21,200	2.64
3647222	215BNA036****A	CNPV*4324A**	355BAV060120	34,800	12.5	15.0	35,000	3.94	8.6	21,200	2.66
4194440	215BNA036****A	CNPV*4324A**	359BAV060080	35,600	12.5	14.5	36,000	4.04	9.0	22,000	2.68
4149765	215BNA036****A	CNPV*4324A**	359BAV060100	35,400	12.5	15.0	35,600	4.04	8.8	21,600	2.70
3646635	215BNA036****A	CNPV*4324A**	359BAV060100(DW NFWL ONLY)	35,400	12.5	15.0	35,600	4.04	8.8	21,600	2.70
4835908	215BNA036****A	CNPV*4324A**	986*A48100V21***	34,600	12.5	15.0	35,000	3.88	8.5	21,200	2.62
4835909	215BNA036****A	CNPV*4324A**	986*A66120V24***	34,600	12.5	15.2	34,800	3.92	8.5	21,000	2.64
4805097	215BNA036****A	CNPV*4324A**	987*A60100V21***	34,600	12.5	15.0	35,000	3.88	8.5	21,200	2.62
4805098	215BNA036****A	CNPV*4324A**	987*A66120V24***	34,600	12.5	15.2	34,800	3.90	8.5	21,000	2.64
4194458	215BNA036****A	CNPV*4324A**	OVLAAB048112	35,000	12.5	14.5	35,400	3.94	8.5	21,600	2.64
4194459	215BNA036****A	CNPV*4324A**	OVLAAB060154	35,800	12.5	15.0	35,800	4.12	9.0	21,800	2.72
3646887	215BNA036****A	CNPV*4821A**	355(A,C)AV042080	34,200	12.0	14.5	35,000	3.82	8.4	21,400	2.60
3647185	215BNA036****A	CNPV*4821A**	355BAV042080	34,200	12.0	14.5	35,000	3.82	8.4	21,400	2.60
3646889	215BNA036****A	CNPV*6024A**	355(A,C)AV042080	34,600	12.0	14.5	35,000	3.88	8.5	21,400	2.62
3647187	215BNA036****A	CNPV*6024A**	355BAV042080	34,600	12.0	14.5	35,000	3.88	8.5	21,400	2.62
3647045	215BNA036****A	CSPH*3612A**	313*AV024045	33,400	11.5	13.5	35,400	3.72	8.0	21,800	2.52
3647067	215BNA036****A	CSPH*3612A**	313*AV048070	33,400	12.0	14.0	35,200	3.76	8.0	21,400	2.56
3647095	215BNA036****A	CSPH*3612A**	313*AV048090	33,600	12.0	14.5	35,000	3.86	8.2	21,200	2.62
3647123	215BNA036****A	CSPH*3612A**	313*AV060110	33,800	12.0	14.5	35,000	3.88	8.3	21,200	2.64
3646459	215BNA036****A	CSPH*3612A**	315(A,J)AV036070	33,400	12.0	14.0	34,800	3.74	8.0	21,200	2.56
3646501	215BNA036****A	CSPH*3612A**	315(A,J)AV048090	33,600	12.0	14.5	34,800	3.80	8.1	21,200	2.60
3646540	215BNA036****A	CSPH*3612A**	315(A,J)AV060110	33,600	12.0	14.5	34,800	3.80	8.1	21,200	2.60
3646578	215BNA036****A	CSPH*3612A**	315(A,J)AV066135	33,600	12.0	14.5	34,800	3.80	8.1	21,000	2.60
3646616	215BNA036****A	CSPH*3612A**	315(A,J)AV066155	33,600	12.0	14.5	34,600	3.84	8.2	21,000	2.62
3646708	215BNA036****A	CSPH*3612A**	353(A,B)AV036060	33,800	12.0	14.0	35,000	3.84	8.2	21,400	2.60
3646741	215BNA036****A	CSPH*3612A**	353(A,B)AV036080	33,600	12.0	14.5	35,000	3.84	8.2	21,200	2.60
3646770	215BNA036****A	CSPH*3612A**	353(A,B)AV048080	33,600	12.0	14.0	34,800	3.84	8.2	21,400	2.60
3646798	215BNA036****A	CSPH*3612A**	353(A,B)AV060100	33,600	12.0	14.5	34,800	3.84	8.2	21,000	2.62
3646670	215BNA036****A	CSPH*3612A**	353AAV036040	33,600	12.0	14.5	35,000	3.84	8.2	21,200	2.62
3646863	215BNA036****A	CSPH*3612A**	355(A,C)AV042060	33,600	12.0	14.0	35,000	3.82	8.2	21,400	2.60
3646895	215BNA036****A	CSPH*3612A**	355(A,C)AV042080	33,400	12.0	14.0	35,000	3.76	8.1	21,400	2.58
3646928	215BNA036****A	CSPH*3612A**	355(A,C)AV060080	33,400	12.0	14.0	34,800	3.76	8.1	21,200	2.58
3646964	215BNA036****A	CSPH*3612A**	355(A,C)AV060100	33,600	12.0	14.0	35,000	3.80	8.1	21,200	2.60
3646997	215BNA036****A	CSPH*3612A**	355(A,C)AV060120	33,600	12.0	14.5	34,800	3.80	8.1	21,200	2.60
3647024	215BNA036****A	CSPH*3612A**	355AAV042040	33,400	11.5	14.0	35,000	3.74	8.0	21,200	2.56
3756438	215BNA036****A	CSPH*3612A**	359BAV036040	33,200	11.2	13.5	34,800	3.68	8.0	21,800	2.50
3756439	215BNA036****A	CSPH*3612A**	359BAV036060	33,400	11.5	13.5	34,800	3.76	8.0	21,800	2.56
3756440	215BNA036****A	CSPH*3612A**	359BAV060080	33,800	11.5	14.0	34,800	3.88	8.2	21,800	2.62
3756441	215BNA036****A	CSPH*3612A**	359BAV060100	33,600	12.0	14.0	34,800	3.84	8.2	21,400	2.60
3829906	215BNA036****A	CSPH*3612A**	368RAN036105	34,200	12.0	14.5	35,200	3.80	8.5	21,400	2.58
3829908	215BNA036****A	CSPH*3612A**	368RAN060120	34,200	12.5	15.0	34,800	3.82	8.5	21,000	2.60
3829905	215BNA036****A	CSPH*3612A**	374RAN036105	33,800	12.0	14.5	34,800	3.72	8.2	21,200	2.56
3829907	215BNA036****A	CSPH*3612A**	374RAN060120	34,000	12.0	14.5	34,800	3.76	8.4	21,200	2.58
4805121	215BNA036****A	CSPH*3612A**	925*A42060E17***	34,200	11.8	14.2	35,200	3.74	8.2	21,600	2.54
4805122	215BNA036****A	CSPH*3612A**	925*A48080E17***	34,000	12.0	14.5	34,800	3.74	8.2	21,200	2.56
4835921	215BNA036****A	CSPH*3612A**	986*A42060V17***	34,000	11.8	14.2	35,200	3.72	8.2	21,600	2.54
4835922	215BNA036****A	CSPH*3612A**	986*A48080V17***	34,200	12.0	14.5	35,000	3.76	8.2	21,400	2.56
4835923	215BNA036****A	CSPH*3612A**	986*A48100V21***	34,200	12.0	14.5	35,000	3.78	8.5	21,400	2.58
4835924	215BNA036****A	CSPH*3612A**	986*A66120V24***	34,200	12.0	14.5	34,800	3.80	8.2	21,200	2.58
4805117	215BNA036****A	CSPH*3612A**	987*A42060V17***	33,600	11.8	14.2	34,800	3.66	8.2	21,200	2.52
4805118	215BNA036****A	CSPH*3612A**	987*A42080V17***	33,800	12.0	14.5	34,600	3.70	8.2	21,000	2.54
4805119	215BNA036****A	CSPH*3612A**	987*A60100V21***	34,000	12.0	14.5	34,800	3.74	8.2	21,200	2.56
4805120	215BNA036****A	CSPH*3612A**	987*A66120V24***	34,000	12.0	14.5	34,600	3.76	8.2	21,000	2.58

See notes on page 39

215B

COMBINATION RATINGS CONTINUED

AHRI Ref. No.	Model Number	Coil Model Number	Furnace Model Number	Cooling Capacity	EER	SEER	High Temp		HSPF	Low Temp	
							E Capacity	E COP		H Capacity	H COP
4194476	215BNA036****A	CSPH*3612A**	OVLAAB036098	33,800	11.5	14.0	35,200	3.70	8.2	21,400	2.52
4194478	215BNA036****A	CSPH*3612A**	OVLAAB048112	34,200	12.0	14.0	35,200	3.78	8.5	21,600	2.58
4194479	215BNA036****A	CSPH*3612A**	OVLAAB060154	35,000	12.0	14.5	35,600	3.96	8.8	21,800	2.66
4194475	215BNA036****A	CSPH*3612A**	OVMAAB036098	34,000	11.5	14.0	35,200	3.72	8.4	21,600	2.54
4194477	215BNA036****A	CSPH*3612A**	OVMAAB042112	34,200	12.0	14.5	35,000	3.76	8.4	21,400	2.58
3647318	215BNA036****A	CSPH*3612A**+TDR		33,600	11.0	13.0	35,800	3.72	8.1	22,400	2.52
3647046	215BNA036****A	CSPH*4212A**	313*AV024045	33,800	11.2	13.5	35,600	3.76	8.1	21,800	2.54
3647068	215BNA036****A	CSPH*4212A**	313*AV048070	33,800	12.0	14.0	35,200	3.80	8.2	21,600	2.58
3647096	215BNA036****A	CSPH*4212A**	313*AV048090	34,200	12.0	14.5	35,000	3.90	8.5	21,400	2.64
3647124	215BNA036****A	CSPH*4212A**	313*AV060110	34,200	12.0	14.5	35,000	3.94	8.5	21,400	2.66
3646460	215BNA036****A	CSPH*4212A**	315(A,J)AV036070	33,800	12.0	14.0	35,000	3.78	8.2	21,400	2.58
3646502	215BNA036****A	CSPH*4212A**	315(A,J)AV048090	33,800	12.0	14.5	34,800	3.84	8.3	21,200	2.62
3646541	215BNA036****A	CSPH*4212A**	315(A,J)AV060110	34,000	12.0	14.5	34,800	3.84	8.3	21,200	2.62
3646579	215BNA036****A	CSPH*4212A**	315(A,J)AV066135	34,000	12.0	14.5	34,800	3.84	8.3	21,200	2.62
3646617	215BNA036****A	CSPH*4212A**	315(A,J)AV066155	34,000	12.5	15.0	34,800	3.88	8.4	21,000	2.64
3646709	215BNA036****A	CSPH*4212A**	353(A,B)AV036060	34,200	12.0	14.5	35,200	3.90	8.4	21,400	2.64
3646742	215BNA036****A	CSPH*4212A**	353(A,B)AV036080	34,200	12.0	14.5	35,000	3.88	8.4	21,400	2.62
3646771	215BNA036****A	CSPH*4212A**	353(A,B)AV048080	34,200	12.0	14.5	35,200	3.90	8.4	21,400	2.64
3646799	215BNA036****A	CSPH*4212A**	353(A,B)AV060100	34,000	12.5	15.0	34,800	3.88	8.4	21,200	2.64
3646671	215BNA036****A	CSPH*4212A**	353AAV036040	34,200	12.0	14.5	35,000	3.90	8.4	21,400	2.64
3646864	215BNA036****A	CSPH*4212A**	355(A,C)AV042060	34,000	12.0	14.5	35,000	3.86	8.3	21,400	2.62
3646896	215BNA036****A	CSPH*4212A**	355(A,C)AV042080	33,800	12.0	14.0	35,000	3.80	8.2	21,400	2.58
3646929	215BNA036****A	CSPH*4212A**	355(A,C)AV060080	33,800	12.0	14.5	35,000	3.80	8.2	21,200	2.60
3646965	215BNA036****A	CSPH*4212A**	355(A,C)AV060100	34,000	12.0	14.5	35,000	3.84	8.3	21,400	2.62
3646998	215BNA036****A	CSPH*4212A**	355(A,C)AV060120	34,000	12.0	14.5	34,800	3.84	8.3	21,200	2.62
3647025	215BNA036****A	CSPH*4212A**	355AAV042040	33,800	12.0	14.0	35,000	3.76	8.2	21,400	2.58
3756442	215BNA036****A	CSPH*4212A**	359BAV036040	33,400	11.5	13.5	35,000	3.72	8.0	21,800	2.52
3756443	215BNA036****A	CSPH*4212A**	359BAV036060	33,800	11.5	13.5	35,000	3.82	8.2	21,800	2.58
3756444	215BNA036****A	CSPH*4212A**	359BAV060080	34,200	12.0	14.0	35,000	3.92	8.4	21,800	2.64
3756445	215BNA036****A	CSPH*4212A**	359BAV060100	34,000	12.0	14.0	35,000	3.90	8.3	21,600	2.64
3829910	215BNA036****A	CSPH*4212A**	368RAN036105	34,400	12.0	14.5	35,200	3.84	8.5	21,400	2.60
3829912	215BNA036****A	CSPH*4212A**	368RAN060120	34,400	12.5	15.0	34,800	3.84	8.5	21,000	2.62
3829909	215BNA036****A	CSPH*4212A**	374RAN036105	34,000	12.0	14.5	34,800	3.76	8.4	21,200	2.58
3829911	215BNA036****A	CSPH*4212A**	374RAN060120	34,200	12.0	14.5	34,800	3.80	8.5	21,200	2.60
4805127	215BNA036****A	CSPH*4212A**	925*A42060E17***	34,400	11.8	14.2	35,200	3.78	8.5	21,600	2.56
4805128	215BNA036****A	CSPH*4212A**	925*A48080E17***	34,200	12.0	14.5	35,000	3.78	8.5	21,200	2.58
4835925	215BNA036****A	CSPH*4212A**	986*A42060V17***	34,200	11.8	14.2	35,200	3.76	8.2	21,600	2.56
4835926	215BNA036****A	CSPH*4212A**	986*A48080V17***	34,400	12.0	14.5	35,200	3.80	8.5	21,400	2.58
4835927	215BNA036****A	CSPH*4212A**	986*A48100V21***	34,400	12.0	14.5	35,200	3.84	8.5	21,400	2.60
4835928	215BNA036****A	CSPH*4212A**	986*A66120V24***	34,400	12.0	14.5	34,800	3.84	8.5	21,200	2.60
4805123	215BNA036****A	CSPH*4212A**	987*A42060V17***	33,800	11.8	14.2	34,800	3.70	8.2	21,200	2.54
4805124	215BNA036****A	CSPH*4212A**	987*A42080V17***	34,000	12.0	14.5	34,800	3.74	8.2	21,200	2.56
4805125	215BNA036****A	CSPH*4212A**	987*A60100V21***	34,200	12.0	14.5	34,800	3.78	8.2	21,200	2.58
4805126	215BNA036****A	CSPH*4212A**	987*A66120V24***	34,200	12.0	14.5	34,800	3.80	8.5	21,000	2.60
4194481	215BNA036****A	CSPH*4212A**	OVLAAB036098	34,200	12.0	14.0	35,200	3.74	8.2	21,600	2.54
4194483	215BNA036****A	CSPH*4212A**	OVLAAB048112	34,600	12.0	14.5	35,400	3.84	8.5	21,600	2.60
4194484	215BNA036****A	CSPH*4212A**	OVLAAB060154	35,400	12.5	14.5	35,600	4.00	8.5	21,800	2.68
4194480	215BNA036****A	CSPH*4212A**	OVMAAB036098	34,200	12.0	14.0	35,200	3.76	8.2	21,600	2.56
4194482	215BNA036****A	CSPH*4212A**	OVMAAB042112	34,400	12.0	14.5	35,000	3.82	8.5	21,400	2.60
3647319	215BNA036****A	CSPH*4212A**+TDR		33,800	11.2	13.0	35,800	3.76	8.2	22,400	2.54
3829873	215BNA036****A	FB4CNF036		33,600	11.2	13.5	35,200	3.68	8.2	21,600	2.50
3692795	215BNA036****A	FB4CNF036+TXV		33,600	11.5	13.5	35,200	3.70	8.1	21,600	2.50
3829874	215BNA036****A	FB4CNF042		35,000	12.0	13.5	35,400	3.90	8.5	21,600	2.64
3692796	215BNA036****A	FB4CNF042+TXV		34,800	12.0	14.5	35,400	3.90	8.5	21,600	2.64
3647327	215BNA036****A	FE4AN(B,F)003+UI		33,800	12.5	15.0	34,400	3.74	8.5	20,800	2.56
3647330	215BNA036****A	FE4AN(B,F)005+UI		35,000	12.5	15.0	34,800	3.98	8.8	21,200	2.68
3647333	215BNA036****A	FE4ANB006+UI		35,400	13.0	15.5	34,600	4.08	9.0	21,200	2.72
3647340	215BNA036****A	FE4ANF002+UI		33,600	12.0	14.0	34,800	3.72	8.2	21,200	2.52
3647352	215BNA036****A	FF1ENP036		33,600	11.0	13.0	35,800	3.56	8.0	22,200	2.44
3647355	215BNA036****A	FF1ENP037		33,600	11.2	13.5	35,600	3.62	8.0	22,000	2.48
3647374	215BNA036****A	FV4CN(B,F)003		33,800	12.5	15.0	34,400	3.74	8.5	20,800	2.56
3647377	215BNA036****A	FV4CN(B,F)005		35,000	12.5	15.0	34,800	3.98	8.8	21,200	2.68
3647380	215BNA036****A	FV4CNB006		35,400	13.0	15.5	34,600	4.08	9.0	21,200	2.72
3647387	215BNA036****A	FV4CNF002		33,600	12.0	14.0	34,800	3.72	8.2	21,200	2.52
3647405	215BNA036****A	FX4DN(B,F)043		34,800	12.5	15.0	34,200	3.92	8.7	21,600	2.64
3829875	215BNA036****A	FY5BNF036		34,000	11.2	13.0	35,400	3.68	8.2	21,800	2.52
3692784	215BNA036****A	FY5BNF036+TXV		33,800	11.5	13.5	35,400	3.68	8.2	21,800	2.52
3829876	215BNA036****A	FY5BNF042		34,600	11.5	13.0	35,600	3.78	8.4	22,000	2.56
3692785	215BNA036****A	FY5BNF042+TXV		34,400	11.5	14.0	35,600	3.78	8.5	22,000	2.56
4843468	215BNA042****A	†FX4DN(B,F)043		41,500	12.5	15.0	36,800	3.82	8.7	26,400	2.62
3647074	215BNA042****A	CAP**4221A**	313*AV048090	41,000	12.0	14.5	42,000	3.70	8.2	25,800	2.58
3647103	215BNA042****A	CAP**4221A**	313*AV060110	41,000	12.5	14.5	42,000	3.72	8.3	25,600	2.58
3646510	215BNA042****A	CAP**4221A**	315(A,J)AV060110	41,000	12.0	14.5	42,000	3.68	8.2	25,600	2.56
3646779	215BNA042****A	CAP**4221A**	353(A,B)AV060100	41,000	12.5	14.5	42,000	3.72	8.3	25,800	2.58
3646870	215BNA042****A	CAP**4221A**	355(A,C)AV042080	40,500	12.0	14.0	42,000	3.62	8.1	26,000	2.52
3646902	215BNA042****A	CAP**4221A**	355(A,C)AV060080	40,500	12.0	14.0	42,000	3.64	8.1	25,800	2.54
3646937	215BNA042****A	CAP**4221A**	355(A,C)AV060100	40,500	12.0	14.0	42,000	3.62	8.1	25,600	2.52
3647177	215BNA042****A	CAP**4221A**	355BAV042080	40,500	12.0	14.0	42,000	3.62	8.1	26,000	2.52

See notes on page 39

COMBINATION RATINGS CONTINUED

AHRI Ref. No.	Model Number	Coil Model Number	Furnace Model Number	Cooling Capacity	EER	SEER	High Temp		HSPF	Low Temp	
							E Capacity	E COP		H Capacity	H COP
3647191	215BNA042****A	CAP**4221A**	355BAV060080	40,500	12.0	14.0	42,000	3.64	8.1	25,800	2.54
3647205	215BNA042****A	CAP**4221A**	355BAV060100	40,500	12.0	14.0	42,000	3.62	8.1	25,600	2.52
4194485	215BNA042****A	CAP**4221A**	359BAV060080	41,500	12.0	14.0	42,000	3.70	8.2	26,200	2.56
3829918	215BNA042****A	CAP**4221A**	368RAN060120	40,500	12.0	14.5	42,000	3.66	8.2	25,600	2.56
3829917	215BNA042****A	CAP**4221A**	374RAN060120	40,500	12.0	14.5	42,000	3.64	8.2	25,600	2.54
4805132	215BNA042****A	CAP**4221A**	925*A42060E17***	40,500	11.5	14.0	42,000	3.60	8.2	26,200	2.50
4805133	215BNA042****A	CAP**4221A**	925*A48080E17***	41,000	11.8	14.2	42,000	3.64	8.2	26,200	2.52
4805134	215BNA042****A	CAP**4221A**	925*A48100E21***	40,500	11.8	14.2	42,000	3.62	8.2	25,800	2.52
4836940	215BNA042****A	CAP**4221A**	986*A42060V17***	40,500	11.4	13.7	42,000	3.58	8.0	26,200	2.48
4836896	215BNA042****A	CAP**4221A**	986*A48080V17***	40,500	11.5	14.0	42,000	3.60	8.2	26,000	2.50
4836897	215BNA042****A	CAP**4221A**	986*A48100V21***	41,000	11.8	14.2	42,000	3.64	8.2	26,000	2.54
4805129	215BNA042****A	CAP**4221A**	987*A42060V17***	40,000	11.4	13.7	42,000	3.54	8.0	25,800	2.48
4805130	215BNA042****A	CAP**4221A**	987*A42080V17***	40,500	11.8	14.2	42,000	3.58	8.0	25,800	2.50
4805131	215BNA042****A	CAP**4221A**	987*A60100V21***	40,500	11.8	14.2	42,000	3.60	8.2	25,600	2.52
3647247	215BNA042****A	CAP**4221A**+TDR		41,000	11.5	13.5	42,000	3.62	8.0	27,000	2.50
3647130	215BNA042****A	CAP**4224A**	313*AV060135	41,000	12.0	14.5	42,000	3.72	8.3	25,800	2.58
3646548	215BNA042****A	CAP**4224A**	315(A,J)AV066135	41,000	12.5	14.5	41,500	3.70	8.3	25,600	2.58
3646586	215BNA042****A	CAP**4224A**	315(A,J)AV066155	41,000	12.5	14.5	41,500	3.70	8.3	25,400	2.58
3646805	215BNA042****A	CAP**4224A**	353(A,B)AV060120	41,500	12.5	15.0	42,000	3.76	8.4	25,800	2.62
3646971	215BNA042****A	CAP**4224A**	355(A,C)AV060120	41,000	12.0	14.5	42,000	3.66	8.2	25,600	2.56
3647005	215BNA042****A	CAP**4224A**	355AAV042040	40,500	12.0	14.0	42,000	3.60	8.1	25,800	2.52
3647218	215BNA042****A	CAP**4224A**	355BAV060120	41,000	12.0	14.5	42,000	3.66	8.2	25,600	2.56
4194486	215BNA042****A	CAP**4224A**	359BAV060080	41,500	12.0	14.0	42,000	3.72	8.2	26,200	2.58
3646632	215BNA042****A	CAP**4224A**	359BAV060100	41,000	12.0	14.5	42,000	3.70	8.2	26,000	2.56
4805137	215BNA042****A	CAP**4224A**	925*A48100E21***	40,500	11.8	14.2	42,000	3.64	8.2	25,800	2.52
4805138	215BNA042****A	CAP**4224A**	925*A66120E24***	41,500	12.0	14.5	42,000	3.72	8.2	26,000	2.58
4836898	215BNA042****A	CAP**4224A**	986*A48100V21***	41,000	11.8	14.2	42,000	3.66	8.2	26,000	2.54
4836899	215BNA042****A	CAP**4224A**	986*A66120V24***	41,000	12.0	14.5	42,000	3.68	8.2	25,800	2.56
4805135	215BNA042****A	CAP**4224A**	987*A60100V21***	40,500	11.8	14.2	42,000	3.62	8.2	25,600	2.52
4805136	215BNA042****A	CAP**4224A**	987*A66120V24***	40,500	12.0	14.5	41,500	3.64	8.2	25,400	2.54
3647249	215BNA042****A	CAP**4224A**+TDR		41,000	11.5	13.5	42,000	3.62	8.0	27,000	2.50
3647050	215BNA042****A	CAP**4817A**	313*AV048070	41,500	12.0	14.0	42,000	3.76	8.2	26,600	2.56
3646469	215BNA042****A	CAP**4817A**	315(A,J)AV048090	41,500	12.5	14.5	42,000	3.82	8.3	26,000	2.62
3646680	215BNA042****A	CAP**4817A**	353(A,B)AV036060	42,000	12.5	14.5	42,000	3.84	8.4	26,400	2.62
3646717	215BNA042****A	CAP**4817A**	353(A,B)AV036080	42,000	12.5	14.5	42,000	3.86	8.4	26,200	2.64
3646748	215BNA042****A	CAP**4817A**	353(A,B)AV048080	42,000	12.5	14.5	42,000	3.82	8.4	26,200	2.62
3646642	215BNA042****A	CAP**4817A**	353AAV036040	42,000	12.5	14.5	42,000	3.86	8.4	26,400	2.62
3646835	215BNA042****A	CAP**4817A**	355(A,C)AV042060	42,000	12.5	14.5	42,000	3.84	8.4	26,400	2.62
3647160	215BNA042****A	CAP**4817A**	355BAV042060	42,000	12.5	14.5	42,000	3.84	8.4	26,400	2.62
4805141	215BNA042****A	CAP**4817A**	925*A42060E17***	41,500	11.8	14.2	42,000	3.74	8.2	26,400	2.56
4805142	215BNA042****A	CAP**4817A**	925*A48080E17***	42,000	12.0	14.5	42,000	3.78	8.2	26,400	2.58
4836900	215BNA042****A	CAP**4817A**	986*A42060V17***	41,500	11.8	14.2	42,000	3.72	8.2	26,600	2.54
4836901	215BNA042****A	CAP**4817A**	986*A48080V17***	41,500	12.0	14.5	42,000	3.76	8.2	26,200	2.58
4805139	215BNA042****A	CAP**4817A**	987*A42060V17***	41,000	11.8	14.2	42,000	3.68	8.2	26,200	2.54
4805140	215BNA042****A	CAP**4817A**	987*A42080V17***	41,500	12.0	14.5	42,000	3.72	8.2	26,000	2.56
3647250	215BNA042****A	CAP**4817A**+TDR		42,000	11.5	13.5	42,000	3.80	8.2	27,200	2.58
3647075	215BNA042****A	CAP**4821A**	313*AV048090	41,500	12.5	15.0	42,000	3.80	8.5	26,000	2.62
3647104	215BNA042****A	CAP**4821A**	313*AV060110	41,500	12.5	15.0	42,000	3.82	8.5	25,800	2.64
3646511	215BNA042****A	CAP**4821A**	315(A,J)AV060110	41,500	12.5	15.0	42,000	3.78	8.5	26,000	2.60
3646780	215BNA042****A	CAP**4821A**	353(A,B)AV060100	41,500	12.5	15.0	42,000	3.82	8.5	26,000	2.64
3646871	215BNA042****A	CAP**4821A**	355(A,C)AV042080	41,500	12.0	14.0	42,000	3.72	8.2	26,200	2.56
3646903	215BNA042****A	CAP**4821A**	355(A,C)AV060080	41,500	12.0	14.5	42,000	3.74	8.2	26,200	2.58
3646938	215BNA042****A	CAP**4821A**	355(A,C)AV060100	41,000	12.0	14.5	42,000	3.72	8.3	25,800	2.56
3647178	215BNA042****A	CAP**4821A**	355BAV042080	41,500	12.0	14.0	42,000	3.72	8.2	26,200	2.56
3647192	215BNA042****A	CAP**4821A**	355BAV060080	41,500	12.0	14.5	42,000	3.74	8.2	26,200	2.58
3647206	215BNA042****A	CAP**4821A**	355BAV060100	41,000	12.0	14.5	42,000	3.72	8.3	25,800	2.56
4194487	215BNA042****A	CAP**4821A**	359BAV060080	42,000	12.0	14.5	42,000	3.82	8.5	26,400	2.60
3829920	215BNA042****A	CAP**4821A**	368RAN060120	41,500	12.5	14.5	42,000	3.78	8.5	25,800	2.60
3829919	215BNA042****A	CAP**4821A**	374RAN060120	41,500	12.0	14.5	42,000	3.76	8.5	25,800	2.60
4805146	215BNA042****A	CAP**4821A**	925*A42060E17***	41,500	11.8	14.2	42,000	3.70	8.2	26,400	2.54
4805147	215BNA042****A	CAP**4821A**	925*A48080E17***	41,500	11.8	14.2	42,000	3.74	8.2	26,400	2.56
4805148	215BNA042****A	CAP**4821A**	925*A48100E21***	41,000	12.0	14.5	42,000	3.72	8.2	26,000	2.56
4836902	215BNA042****A	CAP**4821A**	986*A42060V17***	41,000	11.5	14.0	42,000	3.68	8.2	26,400	2.54
4836903	215BNA042****A	CAP**4821A**	986*A48080V17***	41,000	11.8	14.2	42,000	3.70	8.2	26,200	2.56
4836904	215BNA042****A	CAP**4821A**	986*A48100V21***	41,500	12.0	14.5	42,000	3.74	8.2	26,200	2.58
4805143	215BNA042****A	CAP**4821A**	987*A42060V17***	41,000	11.8	14.2	42,000	3.64	8.2	26,000	2.52
4805144	215BNA042****A	CAP**4821A**	987*A42080V17***	41,000	11.8	14.2	42,000	3.68	8.2	26,000	2.54
4805145	215BNA042****A	CAP**4821A**	987*A60100V21***	41,000	12.0	14.5	42,000	3.72	8.2	25,800	2.56
3647252	215BNA042****A	CAP**4821A**+TDR		42,000	11.5	14.0	42,000	3.74	8.2	27,000	2.54
3646629	215BNA042****A	CAP**4823A**	359BAV060080	42,000	12.0	14.5	42,000	3.82	8.4	26,400	2.60
4194490	215BNA042****A	CAP**4823A**	359BAV060100	41,500	12.5	14.5	42,000	3.80	8.5	26,000	2.60
4805155	215BNA042****A	CAP**4823A**	925*A48100E21***	41,000	12.0	14.5	42,000	3.72	8.2	26,000	2.56
4805156	215BNA042****A	CAP**4823A**	925*A66120E24***	42,000	12.0	14.5	42,000	3.82	8.5	26,200	2.62
4836907	215BNA042****A	CAP**4823A**	986*A48100V21***	41,500	12.0	14.5	42,000	3.74	8.2	26,200	2.58
4836908	215BNA042****A	CAP**4823A**	986*A66120V24***	41,500	12.0	14.5	42,000	3.76	8.5	26,000	2.60
4805153	215BNA042****A	CAP**4823A**	987*A60100V21***	41,000	12.0	14.5	42,000	3.72	8.2	25,800	2.56
4805154	215BNA042****A	CAP**4823A**	987*A66120V24***	41,000	12.0	14.5	42,000	3.74	8.5	25,800	2.58
3647254	215BNA042****A	CAP**4823A**+TDR		42,000	11.5	14.0	42,000	3.74	8.2	27,000	2.54
3647131	215BNA042****A	CAP**4824A**	313*AV060135	42,000	12.5	15.0	42,000	3.84	8.5	26,000	2.64

See notes on page 39

215B

COMBINATION RATINGS CONTINUED

AHRI Ref. No.	Model Number	Coil Model Number	Furnace Model Number	Cooling Capacity	EER	SEER	High Temp		HSPF	Low Temp	
							E Capacity	E COP		H Capacity	H COP
3646549	215BNA042****A	CAP**4824A**	315(A,J)AV066135	41,500	12.5	15.0	42,000	3.82	8.5	25,800	2.64
3646587	215BNA042****A	CAP**4824A**	315(A,J)AV066155	41,500	12.5	15.0	42,000	3.82	8.5	25,600	2.64
3646806	215BNA042****A	CAP**4824A**	353(A,B)AV060120	42,000	12.5	15.0	42,000	3.88	8.6	26,000	2.66
3646972	215BNA042****A	CAP**4824A**	355(A,C)AV060120	41,500	12.5	15.0	42,000	3.78	8.5	25,800	2.60
3647006	215BNA042****A	CAP**4824A**	355AAV042040	41,000	12.0	14.5	42,000	3.72	8.3	26,000	2.56
3647219	215BNA042****A	CAP**4824A**	355BAV060120	41,500	12.5	15.0	42,000	3.78	8.5	25,800	2.60
4194488	215BNA042****A	CAP**4824A**	359BAV060080	42,000	12.0	14.5	42,000	3.84	8.5	26,400	2.62
4194489	215BNA042****A	CAP**4824A**	359BAV060100	42,000	12.5	14.5	42,000	3.82	8.5	26,200	2.62
4805151	215BNA042****A	CAP**4824A**	925*A48100E21***	41,500	12.0	14.5	42,000	3.74	8.2	26,000	2.58
4805152	215BNA042****A	CAP**4824A**	925*A66120E24***	42,000	12.5	15.0	42,000	3.84	8.5	26,200	2.62
4836905	215BNA042****A	CAP**4824A**	986*A48100V21***	41,500	12.0	14.5	42,000	3.76	8.2	26,200	2.58
4836906	215BNA042****A	CAP**4824A**	986*A66120V24***	41,500	12.5	15.0	42,000	3.80	8.5	26,000	2.62
4805149	215BNA042****A	CAP**4824A**	987*A60100V21***	41,000	12.0	14.5	42,000	3.72	8.2	25,800	2.58
4805150	215BNA042****A	CAP**4824A**	987*A66120V24***	41,000	12.0	14.5	42,000	3.74	8.5	25,600	2.60
3647256	215BNA042****A	CAP**4824A**+TDR		42,000	11.5	14.0	42,000	3.74	8.2	27,000	2.54
3647055	215BNA042****A	CNPH*4221A**	313*AV048070	40,500	11.5	13.5	42,000	3.60	8.0	26,400	2.50
3647082	215BNA042****A	CNPH*4221A**	313*AV048090	41,000	12.0	14.5	42,000	3.68	8.2	25,800	2.56
3647110	215BNA042****A	CNPH*4221A**	313*AV060110	41,000	12.0	14.5	42,000	3.70	8.2	25,600	2.58
3647135	215BNA042****A	CNPH*4221A**	313*AV060135	41,000	12.0	14.5	42,000	3.68	8.2	25,800	2.56
3646447	215BNA042****A	CNPH*4221A**	315(A,J)AV036070	40,500	11.8	14.0	42,000	3.60	8.0	26,000	2.50
3646478	215BNA042****A	CNPH*4221A**	315(A,J)AV048090	41,000	12.0	14.5	42,000	3.66	8.2	25,800	2.54
3646521	215BNA042****A	CNPH*4221A**	315(A,J)AV060110	41,000	12.0	14.5	42,000	3.66	8.2	25,800	2.56
3646559	215BNA042****A	CNPH*4221A**	315(A,J)AV066135	41,000	12.0	14.5	42,000	3.70	8.2	25,600	2.58
3646597	215BNA042****A	CNPH*4221A**	315(A,J)AV066155	41,000	12.0	14.5	42,000	3.70	8.2	25,600	2.58
3646688	215BNA042****A	CNPH*4221A**	353(A,B)AV036060	41,000	12.0	14.0	42,000	3.68	8.2	26,000	2.56
3646724	215BNA042****A	CNPH*4221A**	353(A,B)AV036080	41,000	12.0	14.5	42,000	3.68	8.2	26,000	2.56
3646754	215BNA042****A	CNPH*4221A**	353(A,B)AV048080	41,000	12.0	14.0	42,000	3.66	8.2	25,800	2.54
3646786	215BNA042****A	CNPH*4221A**	353(A,B)AV060100	41,000	12.0	14.5	42,000	3.70	8.3	25,800	2.58
3646810	215BNA042****A	CNPH*4221A**	353(A,B)AV060120	41,000	12.5	14.5	42,000	3.72	8.3	25,800	2.60
3646650	215BNA042****A	CNPH*4221A**	353AAV036040	41,000	12.0	14.0	42,000	3.68	8.2	26,000	2.56
3646843	215BNA042****A	CNPH*4221A**	355(A,C)AV042060	41,000	12.0	14.0	42,000	3.68	8.2	26,000	2.54
3646879	215BNA042****A	CNPH*4221A**	355(A,C)AV042080	40,500	11.8	14.0	42,000	3.60	8.1	26,000	2.50
3646912	215BNA042****A	CNPH*4221A**	355(A,C)AV060080	40,500	12.0	14.0	42,000	3.64	8.1	26,000	2.52
3646947	215BNA042****A	CNPH*4221A**	355(A,C)AV060100	40,500	12.0	14.0	42,000	3.60	8.1	25,800	2.52
3646981	215BNA042****A	CNPH*4221A**	355(A,C)AV060120	41,000	12.0	14.5	42,000	3.66	8.2	25,800	2.54
3647014	215BNA042****A	CNPH*4221A**	355AAV042040	40,500	12.0	14.0	42,000	3.60	8.0	26,000	2.50
3756448	215BNA042****A	CNPH*4221A**	359BAV060080	41,000	12.0	14.0	42,000	3.68	8.2	26,200	2.56
3756449	215BNA042****A	CNPH*4221A**	359BAV060100	41,000	12.2	14.5	42,000	3.68	8.2	26,000	2.56
3829926	215BNA042****A	CNPH*4221A**	368RAN060120	41,000	12.0	14.5	42,000	3.66	8.2	25,600	2.56
3829925	215BNA042****A	CNPH*4221A**	374RAN060120	40,500	12.0	14.5	42,000	3.64	8.2	25,600	2.54
4805185	215BNA042****A	CNPH*4221A**	925*A42060E17***	40,500	11.4	13.7	42,000	3.58	8.2	26,200	2.50
4805186	215BNA042****A	CNPH*4221A**	925*A48080E17***	41,000	11.5	14.0	42,000	3.62	8.2	26,200	2.52
4805187	215BNA042****A	CNPH*4221A**	925*A48100E21***	40,500	11.8	14.2	42,000	3.60	8.2	25,800	2.52
4805188	215BNA042****A	CNPH*4221A**	925*A66120E24***	41,000	12.0	14.5	42,000	3.68	8.2	26,000	2.56
4836921	215BNA042****A	CNPH*4221A**	986*A42060V17***	40,500	11.4	13.7	42,000	3.56	8.0	26,200	2.48
4836922	215BNA042****A	CNPH*4221A**	986*A48080V17***	40,500	11.5	14.0	42,000	3.60	8.2	26,000	2.50
4836923	215BNA042****A	CNPH*4221A**	986*A48100V21***	41,000	11.8	14.2	42,000	3.64	8.2	26,000	2.52
4836924	215BNA042****A	CNPH*4221A**	986*A66120V24***	41,000	12.0	14.5	42,000	3.64	8.2	25,600	2.54
4805181	215BNA042****A	CNPH*4221A**	987*A42060V17***	40,000	11.4	13.7	42,000	3.54	8.0	26,000	2.46
4805182	215BNA042****A	CNPH*4221A**	987*A42080V17***	40,500	11.5	14.0	42,000	3.56	8.0	25,800	2.50
4805183	215BNA042****A	CNPH*4221A**	987*A60100V21***	40,500	11.8	14.2	42,000	3.60	8.2	25,800	2.52
4805184	215BNA042****A	CNPH*4221A**	987*A66120V24***	40,500	12.0	14.5	42,000	3.62	8.2	25,600	2.54
4194507	215BNA042****A	CNPH*4221A**	OVLAAB048112	41,000	11.5	13.5	42,000	3.64	8.2	26,400	2.52
4194508	215BNA042****A	CNPH*4221A**	OVLAAB060154	42,000	12.0	14.5	42,000	3.76	8.2	26,600	2.58
4194506	215BNA042****A	CNPH*4221A**	OVMAAB042112	40,500	12.0	14.0	42,000	3.62	8.2	26,000	2.52
3647277	215BNA042****A	CNPH*4221A**+TDR		41,000	11.5	13.5	42,000	3.64	8.0	27,000	2.50
3756450	215BNA042****A	CNPH*4321A**	359BAV060080	42,000	12.5	15.0	42,000	3.92	8.6	26,600	2.66
3756451	215BNA042****A	CNPH*4321A**	359BAV060100	42,000	12.5	15.0	42,000	3.90	8.5	26,200	2.66
3829928	215BNA042****A	CNPH*4321A**	368RAN060120	42,000	12.5	15.0	42,000	3.88	8.5	26,000	2.66
3829927	215BNA042****A	CNPH*4321A**	374RAN060120	42,000	12.5	15.0	42,000	3.86	8.5	26,000	2.64
4805193	215BNA042****A	CNPH*4321A**	925*A42060E17***	42,000	12.0	14.5	42,000	3.80	8.5	26,600	2.58
4805194	215BNA042****A	CNPH*4321A**	925*A48080E17***	42,000	12.0	14.5	42,000	3.84	8.5	26,600	2.62
4805195	215BNA042****A	CNPH*4321A**	925*A48100E21***	42,000	12.5	15.0	42,000	3.82	8.5	26,200	2.62
4805196	215BNA042****A	CNPH*4321A**	925*A66120E24***	42,000	12.5	15.2	42,000	3.92	8.5	26,400	2.66
4836925	215BNA042****A	CNPH*4321A**	986*A42060V17***	41,500	12.0	14.5	42,000	3.72	8.2	26,200	2.56
4836926	215BNA042****A	CNPH*4321A**	986*A48080V17***	41,500	12.0	14.5	42,000	3.76	8.5	26,000	2.60
4836927	215BNA042****A	CNPH*4321A**	986*A48100V21***	41,500	12.5	15.0	42,000	3.80	8.5	26,000	2.60
4836928	215BNA042****A	CNPH*4321A**	986*A66120V24***	42,000	12.5	15.2	42,000	3.84	8.5	25,800	2.64
4805189	215BNA042****A	CNPH*4321A**	987*A42060V17***	41,500	12.0	14.5	42,000	3.74	8.2	26,200	2.56
4805190	215BNA042****A	CNPH*4321A**	987*A42080V17***	41,500	12.0	14.5	42,000	3.78	8.2	26,000	2.58
4805191	215BNA042****A	CNPH*4321A**	987*A60100V21***	42,000	12.5	15.0	42,000	3.82	8.5	26,000	2.62
4805192	215BNA042****A	CNPH*4321A**	987*A66120V24***	42,000	12.5	15.2	42,000	3.84	8.5	25,800	2.64
4194510	215BNA042****A	CNPH*4321A**	OVLAAB048112	42,000	12.0	14.5	42,000	3.84	8.5	26,600	2.62
4194511	215BNA042****A	CNPH*4321A**	OVLAAB060154	42,000	12.5	15.0	42,000	4.00	8.5	26,800	2.70
4194509	215BNA042****A	CNPH*4321A**	OVMAAB042112	42,000	12.5	14.5	42,000	3.84	8.5	26,400	2.62
3647056	215BNA042****A	CNPH*4821A**	313*AV048070	41,500	12.0	14.0	42,000	3.72	8.1	26,600	2.56
3647083	215BNA042****A	CNPH*4821A**	313*AV048090	42,000	12.5	15.0	42,000	3.82	8.5	26,000	2.64
3647111	215BNA042****A	CNPH*4821A**	313*AV060110	42,000	12.5	15.0	42,000	3.86	8.5	26,000	2.66
3647136	215BNA042****A	CNPH*4821A**	313*AV060135	42,000	12.5	15.0	42,000	3.84	8.5	26,000	2.64

See notes on page 39

COMBINATION RATINGS CONTINUED

AHRI Ref. No.	Model Number	Coil Model Number	Furnace Model Number	Cooling Capacity	EER	SEER	High Temp		HSPF	Low Temp	
							E Capacity	E COP		H Capacity	H COP
3646448	215BNA042****A	CNPH*4821A**	315(A,J)AV036070	41,500	12.0	14.5	42,000	3.72	8.3	26,000	2.58
3646479	215BNA042****A	CNPH*4821A**	315(A,J)AV048090	41,500	12.0	14.5	42,000	3.78	8.4	25,800	2.62
3646522	215BNA042****A	CNPH*4821A**	315(A,J)AV060110	41,500	12.5	15.0	42,000	3.80	8.5	25,800	2.62
3646560	215BNA042****A	CNPH*4821A**	315(A,J)AV066135	41,500	12.5	15.0	42,000	3.82	8.5	25,800	2.64
3646598	215BNA042****A	CNPH*4821A**	315(A,J)AV066155	41,500	12.5	15.0	42,000	3.82	8.5	25,600	2.64
3646689	215BNA042****A	CNPH*4821A**	353(A,B)AV036060	42,000	12.0	14.5	42,000	3.82	8.3	26,200	2.62
3646725	215BNA042****A	CNPH*4821A**	353(A,B)AV036080	42,000	12.0	14.5	42,000	3.82	8.4	26,200	2.62
3646755	215BNA042****A	CNPH*4821A**	353(A,B)AV048080	41,500	12.0	14.5	42,000	3.80	8.3	26,000	2.62
3646787	215BNA042****A	CNPH*4821A**	353(A,B)AV060100	42,000	12.5	15.0	42,000	3.86	8.5	26,000	2.66
3646811	215BNA042****A	CNPH*4821A**	353(A,B)AV060120	42,000	12.5	15.0	42,000	3.88	8.6	26,000	2.66
3646651	215BNA042****A	CNPH*4821A**	353AAV036040	42,000	12.0	14.5	42,000	3.82	8.4	26,200	2.62
3646844	215BNA042****A	CNPH*4821A**	355(A,C)AV042060	42,000	12.5	14.5	42,000	3.80	8.3	26,200	2.62
3646880	215BNA042****A	CNPH*4821A**	355(A,C)AV042080	41,500	12.0	14.5	42,000	3.74	8.2	26,200	2.58
3646913	215BNA042****A	CNPH*4821A**	355(A,C)AV060080	41,500	12.0	14.5	42,000	3.76	8.2	26,000	2.60
3646948	215BNA042****A	CNPH*4821A**	355(A,C)AV060100	41,500	12.0	14.5	42,000	3.74	8.3	25,800	2.58
3646982	215BNA042****A	CNPH*4821A**	355(A,C)AV060120	41,500	12.5	14.5	42,000	3.78	8.5	25,800	2.62
3647015	215BNA042****A	CNPH*4821A**	355AAV042040	41,500	12.0	14.5	42,000	3.72	8.3	26,000	2.58
3756452	215BNA042****A	CNPH*4821A**	359BAV060080	42,000	12.2	14.5	42,000	3.84	8.4	26,400	2.62
3756453	215BNA042****A	CNPH*4821A**	359BAV060100	42,000	12.5	15.0	42,000	3.82	8.5	26,200	2.62
3829930	215BNA042****A	CNPH*4821A**	368RAN060120	41,500	12.5	15.0	42,000	3.80	8.5	25,800	2.62
3829929	215BNA042****A	CNPH*4821A**	374RAN060120	41,500	12.5	15.0	42,000	3.76	8.5	25,800	2.60
4805201	215BNA042****A	CNPH*4821A**	925*A42060E17***	41,500	11.8	14.2	42,000	3.72	8.2	26,400	2.56
4805202	215BNA042****A	CNPH*4821A**	925*A48080E17***	41,500	12.0	14.5	42,000	3.76	8.5	26,400	2.58
4805203	215BNA042****A	CNPH*4821A**	925*A48100E21***	41,500	12.0	14.5	42,000	3.74	8.2	26,000	2.58
4805204	215BNA042****A	CNPH*4821A**	925*A66120E24***	42,000	12.5	15.0	42,000	3.84	8.5	26,200	2.64
4836929	215BNA042****A	CNPH*4821A**	986*A42060V17***	41,500	11.8	14.2	42,000	3.70	8.2	26,400	2.54
4836930	215BNA042****A	CNPH*4821A**	986*A48080V17***	41,500	12.0	14.5	42,000	3.72	8.2	26,200	2.56
4836931	215BNA042****A	CNPH*4821A**	986*A48100V21***	42,000	12.0	14.5	42,000	3.78	8.2	26,200	2.60
4836932	215BNA042****A	CNPH*4821A**	986*A66120V24***	41,500	12.5	15.0	42,000	3.80	8.5	26,000	2.62
4805197	215BNA042****A	CNPH*4821A**	987*A42060V17***	41,000	11.8	14.2	42,000	3.66	8.2	26,000	2.54
4805198	215BNA042****A	CNPH*4821A**	987*A42080V17***	41,000	12.0	14.5	42,000	3.70	8.2	26,000	2.56
4805199	215BNA042****A	CNPH*4821A**	987*A60100V21***	41,500	12.0	14.5	42,000	3.72	8.2	25,800	2.58
4805200	215BNA042****A	CNPH*4821A**	987*A66120V24***	41,500	12.5	15.0	42,000	3.76	8.5	25,600	2.60
4194513	215BNA042****A	CNPH*4821A**	OVLAAB048112	42,000	12.0	14.5	42,000	3.76	8.2	26,400	2.58
4194514	215BNA042****A	CNPH*4821A**	OVLAAB060154	42,000	12.5	15.0	42,000	3.90	8.5	26,600	2.66
4194512	215BNA042****A	CNPH*4821A**	OVMAAB042112	41,500	12.0	14.5	42,000	3.76	8.2	26,200	2.58
3647278	215BNA042****A	CNPH*4821A**+TDR		42,000	11.5	14.0	42,000	3.74	8.2	27,000	2.54
3647064	215BNA042****A	CNPV*4217A**	313*AV048070	41,000	11.5	13.5	42,000	3.64	8.0	26,400	2.52
3646495	215BNA042****A	CNPV*4217A**	315(A,J)AV048090	41,000	12.0	14.5	42,000	3.72	8.3	25,800	2.58
3646702	215BNA042****A	CNPV*4217A**	353(A,B)AV036060	41,500	12.0	14.5	42,000	3.72	8.2	26,200	2.58
3646736	215BNA042****A	CNPV*4217A**	353(A,B)AV036080	41,500	12.0	14.5	42,000	3.74	8.3	26,000	2.58
3646767	215BNA042****A	CNPV*4217A**	353(A,B)AV048080	41,000	12.0	14.5	42,000	3.72	8.3	26,000	2.58
3646664	215BNA042****A	CNPV*4217A**	353AAV036040	41,500	12.0	14.5	42,000	3.74	8.2	26,200	2.58
3646857	215BNA042****A	CNPV*4217A**	355(A,C)AV042060	41,500	12.0	14.5	42,000	3.72	8.2	26,200	2.58
3647173	215BNA042****A	CNPV*4217A**	355BAV042060	41,500	12.0	14.5	42,000	3.72	8.2	26,200	2.58
4194491	215BNA042****A	CNPV*4217A**	359BAV036060	41,000	11.5	13.5	42,000	3.64	8.2	26,600	2.52
4805159	215BNA042****A	CNPV*4217A**	925*A42060E17***	41,000	11.5	14.0	42,000	3.64	8.2	26,200	2.52
4805160	215BNA042****A	CNPV*4217A**	925*A48080E17***	41,000	11.8	14.2	42,000	3.68	8.2	26,200	2.54
4836909	215BNA042****A	CNPV*4217A**	986*A42060V17***	41,000	11.5	14.0	42,000	3.62	8.0	26,200	2.50
4836910	215BNA042****A	CNPV*4217A**	986*A48080V17***	41,000	11.8	14.2	42,000	3.64	8.2	26,000	2.52
4805157	215BNA042****A	CNPV*4217A**	987*A42060V17***	40,500	11.5	14.0	42,000	3.58	8.2	26,000	2.50
4805158	215BNA042****A	CNPV*4217A**	987*A42080V17***	40,500	11.8	14.2	42,000	3.62	8.2	26,000	2.52
4194497	215BNA042****A	CNPV*4217A**	OVMAAB042112	41,000	12.0	14.0	42,000	3.66	8.2	26,200	2.54
3647302	215BNA042****A	CNPV*4217A**+TDR		41,500	11.5	13.5	42,000	3.70	8.1	27,000	2.54
3647090	215BNA042****A	CNPV*4221A**	313*AV048090	41,000	12.0	14.5	42,000	3.68	8.2	25,800	2.56
3647119	215BNA042****A	CNPV*4221A**	313*AV060110	41,000	12.0	14.5	42,000	3.70	8.2	25,600	2.58
3646531	215BNA042****A	CNPV*4221A**	315(A,J)AV060110	41,000	12.0	14.5	42,000	3.66	8.2	25,800	2.56
3646795	215BNA042****A	CNPV*4221A**	353(A,B)AV060100	41,000	12.0	14.5	42,000	3.70	8.3	25,800	2.58
3646885	215BNA042****A	CNPV*4221A**	355(A,C)AV042080	40,500	11.8	14.0	42,000	3.60	8.1	26,000	2.50
3646920	215BNA042****A	CNPV*4221A**	355(A,C)AV060080	41,000	12.0	14.0	42,000	3.64	8.1	26,000	2.52
3646955	215BNA042****A	CNPV*4221A**	355(A,C)AV060100	40,500	12.0	14.0	42,000	3.60	8.1	25,800	2.52
3647183	215BNA042****A	CNPV*4221A**	355BAV042080	40,500	11.8	14.0	42,000	3.60	8.1	26,000	2.50
3647198	215BNA042****A	CNPV*4221A**	355BAV060080	41,000	12.0	14.0	42,000	3.64	8.1	26,000	2.52
3647212	215BNA042****A	CNPV*4221A**	355BAV060100	40,500	12.0	14.0	42,000	3.60	8.1	25,800	2.52
4194492	215BNA042****A	CNPV*4221A**	359BAV036060	40,500	11.5	13.5	42,000	3.60	8.0	26,400	2.50
4194493	215BNA042****A	CNPV*4221A**	359BAV060080	41,000	12.0	14.0	42,000	3.68	8.2	26,200	2.56
3829922	215BNA042****A	CNPV*4221A**	368RAN060120	41,000	12.0	14.5	42,000	3.66	8.2	25,600	2.56
3829921	215BNA042****A	CNPV*4221A**	374RAN060120	40,500	12.0	14.5	42,000	3.64	8.2	25,600	2.54
4805164	215BNA042****A	CNPV*4221A**	925*A42060E17***	40,500	11.4	13.7	42,000	3.58	8.2	26,200	2.50
4805165	215BNA042****A	CNPV*4221A**	925*A48080E17***	41,000	11.5	14.0	42,000	3.62	8.2	26,200	2.52
4805166	215BNA042****A	CNPV*4221A**	925*A48100E21***	40,500	11.8	14.2	42,000	3.60	8.2	25,800	2.52
4836911	215BNA042****A	CNPV*4221A**	986*A42060V17***	40,500	11.4	13.7	42,000	3.56	8.0	26,200	2.48
4836912	215BNA042****A	CNPV*4221A**	986*A48080V17***	40,500	11.5	14.0	42,000	3.60	8.2	26,000	2.50
4836913	215BNA042****A	CNPV*4221A**	986*A48100V21***	41,000	11.8	14.2	42,000	3.64	8.2	26,000	2.52
4805161	215BNA042****A	CNPV*4221A**	987*A42060V17***	40,000	11.4	13.7	42,000	3.54	8.0	26,000	2.46
4805162	215BNA042****A	CNPV*4221A**	987*A42080V17***	40,500	11.5	14.0	42,000	3.56	8.0	25,800	2.50
4805163	215BNA042****A	CNPV*4221A**	987*A60100V21***	40,500	11.8	14.2	42,000	3.60	8.2	25,800	2.52
4194499	215BNA042****A	CNPV*4221A**	OVLAAB048112	41,000	11.5	13.5	42,000	3.64	8.2	26,400	2.52
4194498	215BNA042****A	CNPV*4221A**	OVMAAB042112	40,500	12.0	14.0	42,000	3.62	8.2	26,000	2.52

See notes on page 39

215B

COMBINATION RATINGS CONTINUED

AHRI Ref. No.	Model Number	Coil Model Number	Furnace Model Number	Cooling Capacity	EER	SEER	High Temp		HSPF	Low Temp	
							E Capacity	E COP		H Capacity	H COP
3647304	215BNA042****A	CNPV*4221A**+TDR		41,000	11.5	13.5	42,000	3.64	8.0	27,000	2.50
3647120	215BNA042****A	CNPV*4324A**	313*AV060110	42,000	13.0	15.5	42,000	3.96	8.6	26,000	2.70
3647142	215BNA042****A	CNPV*4324A**	313*AV060135	42,000	13.0	15.5	42,000	3.96	8.6	26,200	2.70
3646532	215BNA042****A	CNPV*4324A**	315(A,J)AV060110	42,000	12.5	15.0	42,000	3.90	8.5	26,000	2.68
3646567	215BNA042****A	CNPV*4324A**	315(A,J)AV066135	42,000	13.0	15.5	42,000	3.94	8.7	25,800	2.70
3646605	215BNA042****A	CNPV*4324A**	315(A,J)AV066155	42,000	13.0	15.5	42,000	3.94	8.7	25,800	2.70
3646817	215BNA042****A	CNPV*4324A**	353(A,B)AV060120	42,000	13.0	15.5	42,000	4.00	8.7	26,200	2.72
3646956	215BNA042****A	CNPV*4324A**	355(A,C)AV060100	42,000	12.5	15.0	42,000	3.84	8.5	26,000	2.62
3646987	215BNA042****A	CNPV*4324A**	355(A,C)AV060120	42,000	12.5	15.0	42,000	3.88	8.5	26,000	2.66
3647017	215BNA042****A	CNPV*4324A**	355AAV02040	42,000	12.5	15.0	42,000	3.82	8.4	26,200	2.62
3647213	215BNA042****A	CNPV*4324A**	355BAV060100	42,000	12.5	15.0	42,000	3.84	8.5	26,000	2.62
3647223	215BNA042****A	CNPV*4324A**	355BAV060120	42,000	12.5	15.0	42,000	3.88	8.5	26,000	2.66
4194494	215BNA042****A	CNPV*4324A**	359BAV060080	42,000	12.5	15.0	42,000	3.94	8.5	26,600	2.68
4149766	215BNA042****A	CNPV*4324A**	359BAV060100	42,000	12.5	15.0	42,000	3.92	8.6	26,200	2.68
3756446	215BNA042****A	CNPV*4324A**	359BAV060100 (DWNFLW ONLY)	42,000	12.5	15.0	42,000	3.92	8.6	26,200	2.68
4805169	215BNA042****A	CNPV*4324A**	925*A48100E21***	42,000	12.5	15.0	42,000	3.84	8.5	26,200	2.62
4805170	215BNA042****A	CNPV*4324A**	925*A66120E24***	42,000	12.7	15.5	42,000	3.96	8.8	26,400	2.68
4836914	215BNA042****A	CNPV*4324A**	986*A48100V21***	42,000	12.5	15.0	42,000	3.82	8.5	26,000	2.62
4836915	215BNA042****A	CNPV*4324A**	986*A66120V24***	42,000	12.7	15.5	42,000	3.86	8.5	25,800	2.66
4805167	215BNA042****A	CNPV*4324A**	987*A60100V21***	42,000	12.5	15.0	42,000	3.82	8.5	26,000	2.62
4805168	215BNA042****A	CNPV*4324A**	987*A66120V24***	42,000	12.5	15.2	42,000	3.84	8.5	25,800	2.64
4194500	215BNA042****A	CNPV*4324A**	OVLAA048112	42,000	12.5	14.5	42,000	3.86	8.5	26,600	2.62
4194501	215BNA042****A	CNPV*4324A**	OVLAA060154	42,000	12.5	15.0	42,000	4.02	8.5	26,800	2.72
3647091	215BNA042****A	CNPV*4821A**	313*AV048090	42,000	12.5	15.0	42,000	3.82	8.5	26,000	2.64
3647121	215BNA042****A	CNPV*4821A**	313*AV060110	42,000	12.5	15.0	42,000	3.86	8.5	26,000	2.66
3646533	215BNA042****A	CNPV*4821A**	315(A,J)AV060110	41,500	12.5	15.0	42,000	3.80	8.5	25,800	2.62
3646796	215BNA042****A	CNPV*4821A**	353(A,B)AV060100	42,000	12.5	15.0	42,000	3.86	8.5	26,000	2.66
3646888	215BNA042****A	CNPV*4821A**	355(A,C)AV042080	41,500	12.0	14.5	42,000	3.74	8.2	26,200	2.58
3646922	215BNA042****A	CNPV*4821A**	355(A,C)AV060080	41,500	12.0	14.5	42,000	3.76	8.2	26,000	2.60
3646957	215BNA042****A	CNPV*4821A**	355(A,C)AV060100	41,500	12.0	14.5	42,000	3.74	8.3	25,800	2.58
3647186	215BNA042****A	CNPV*4821A**	355BAV042080	41,500	12.0	14.5	42,000	3.74	8.2	26,200	2.58
3647200	215BNA042****A	CNPV*4821A**	355BAV060080	41,500	12.0	14.5	42,000	3.76	8.2	26,000	2.60
3647214	215BNA042****A	CNPV*4821A**	355BAV060100	41,500	12.0	14.5	42,000	3.74	8.3	25,800	2.58
4194495	215BNA042****A	CNPV*4821A**	359BAV060080	42,000	12.5	14.5	42,000	3.84	8.5	26,400	2.62
3829924	215BNA042****A	CNPV*4821A**	368RAN060120	41,500	12.5	15.0	42,000	3.80	8.5	25,800	2.62
3829923	215BNA042****A	CNPV*4821A**	374RAN060120	41,500	12.5	15.0	42,000	3.76	8.5	25,800	2.60
4805174	215BNA042****A	CNPV*4821A**	925*A42060E17***	41,500	11.8	14.2	42,000	3.72	8.2	26,400	2.56
4805175	215BNA042****A	CNPV*4821A**	925*A48080E17***	41,500	12.0	14.5	42,000	3.76	8.2	26,400	2.58
4805176	215BNA042****A	CNPV*4821A**	925*A48100E21***	41,500	12.0	14.5	42,000	3.74	8.2	26,000	2.58
4836916	215BNA042****A	CNPV*4821A**	986*A42060V17***	41,500	11.8	14.2	42,000	3.70	8.2	26,400	2.54
4836917	215BNA042****A	CNPV*4821A**	986*A48080V17***	41,500	12.0	14.5	42,000	3.72	8.2	26,200	2.56
4836918	215BNA042****A	CNPV*4821A**	986*A48100V21***	42,000	12.0	14.5	42,000	3.78	8.2	26,200	2.60
4805171	215BNA042****A	CNPV*4821A**	987*A42060V17***	41,000	11.8	14.2	42,000	3.66	8.2	26,000	2.54
4805172	215BNA042****A	CNPV*4821A**	987*A42080V17***	41,000	12.0	14.5	42,000	3.70	8.2	26,000	2.56
4805173	215BNA042****A	CNPV*4821A**	987*A60100V21***	41,500	12.0	14.5	42,000	3.72	8.2	25,800	2.58
4194503	215BNA042****A	CNPV*4821A**	OVLAA048112	42,000	12.0	14.5	42,000	3.76	8.2	26,400	2.58
4194502	215BNA042****A	CNPV*4821A**	OVMMA042112	41,500	12.0	14.5	42,000	3.76	8.2	26,200	2.58
3647305	215BNA042****A	CNPV*4821A**+TDR		42,000	11.5	14.0	42,000	3.74	8.2	27,000	2.54
3647143	215BNA042****A	CNPV*4824A**	313*AV060135	42,000	12.5	15.0	42,000	3.84	8.5	26,000	2.64
3646568	215BNA042****A	CNPV*4824A**	315(A,J)AV066135	41,500	12.5	15.0	42,000	3.82	8.5	25,800	2.64
3646606	215BNA042****A	CNPV*4824A**	315(A,J)AV066155	41,500	12.5	15.0	42,000	3.82	8.5	25,600	2.64
3646818	215BNA042****A	CNPV*4824A**	353(A,B)AV060120	42,000	12.5	15.0	42,000	3.88	8.6	26,000	2.66
3646988	215BNA042****A	CNPV*4824A**	355(A,C)AV060120	41,500	12.5	15.0	42,000	3.78	8.5	25,800	2.62
3647018	215BNA042****A	CNPV*4824A**	355AAV042040	41,500	12.0	14.5	42,000	3.72	8.3	26,000	2.58
3647224	215BNA042****A	CNPV*4824A**	355BAV060120	41,500	12.5	15.0	42,000	3.78	8.5	25,800	2.62
4194496	215BNA042****A	CNPV*4824A**	359BAV060080	42,000	12.5	14.5	42,000	3.84	8.5	26,400	2.62
4149768	215BNA042****A	CNPV*4824A**	359BAV060100	42,000	12.5	15.0	42,000	3.82	8.5	26,200	2.62
3756447	215BNA042****A	CNPV*4824A**	359BAV060100 (DWNFLW ONLY)	42,000	12.5	15.0	42,000	3.82	8.5	26,200	2.62
4805179	215BNA042****A	CNPV*4824A**	925*A48100E21***	41,500	12.0	14.5	42,000	3.74	8.2	26,000	2.58
4805180	215BNA042****A	CNPV*4824A**	925*A66120E24***	42,000	12.5	15.0	42,000	3.84	8.5	26,200	2.64
4836919	215BNA042****A	CNPV*4824A**	986*A48100V21***	42,000	12.0	14.5	42,000	3.78	8.2	26,000	2.60
4836920	215BNA042****A	CNPV*4824A**	986*A66120V24***	41,500	12.5	15.0	42,000	3.80	8.5	26,200	2.62
4805177	215BNA042****A	CNPV*4824A**	987*A60100V21***	41,500	12.0	14.5	42,000	3.72	8.2	25,800	2.58
4805178	215BNA042****A	CNPV*4824A**	987*A66120V24***	41,500	12.5	15.0	42,000	3.76	8.5	25,600	2.60
4194504	215BNA042****A	CNPV*4824A**	OVLAA048112	42,000	12.0	14.5	42,000	3.76	8.2	26,400	2.58
4194505	215BNA042****A	CNPV*4824A**	OVLAA060154	42,000	12.5	15.0	42,000	3.90	8.7	26,600	2.66
3647307	215BNA042****A	CNPV*4824A**+TDR		42,000	11.5	14.0	42,000	3.74	8.2	27,000	2.54
3647069	215BNA042****A	CSPH*4212A**	313*AV048070	41,000	11.5	13.5	42,000	3.72	8.1	26,600	2.56
3647097	215BNA042****A	CSPH*4212A**	313*AV048090	41,500	12.0	14.5	42,000	3.82	8.3	26,000	2.62
3647125	215BNA042****A	CSPH*4212A**	313*AV060110	41,500	12.0	14.5	42,000	3.84	8.3	26,000	2.64
3647149	215BNA042****A	CSPH*4212A**	313*AV060135	41,500	12.0	14.5	42,000	3.82	8.3	26,000	2.62
3646461	215BNA042****A	CSPH*4212A**	315(A,J)AV036070	41,000	12.0	14.0	42,000	3.72	8.1	26,200	2.56
3646503	215BNA042****A	CSPH*4212A**	315(A,J)AV048090	41,500	12.0	14.5	42,000	3.78	8.3	26,000	2.62
3646542	215BNA042****A	CSPH*4212A**	315(A,J)AV060110	41,500	12.0	14.5	42,000	3.80	8.3	26,000	2.62
3646580	215BNA042****A	CSPH*4212A**	315(A,J)AV066135	41,500	12.0	14.5	42,000	3.82	8.3	25,800	2.64
3646618	215BNA042****A	CSPH*4212A**	315(A,J)AV066155	41,500	12.0	14.5	42,000	3.82	8.3	25,800	2.64
3646710	215BNA042****A	CSPH*4212A**	353(A,B)AV036060	41,500	12.0	14.5	42,000	3.80	8.2	26,200	2.62

See notes on page 39

COMBINATION RATINGS CONTINUED

AHRI Ref. No.	Model Number	Coil Model Number	Furnace Model Number	Cooling Capacity	EER	SEER	High Temp		HSPF	Low Temp	
							E Capacity	E COP		H Capacity	H COP
3646743	215BNA042****A	CSPH*4212A**	353(A,B)AV036080	41,500	12.0	14.5	42,000	3.82	8.3	26,200	2.62
3646772	215BNA042****A	CSPH*4212A**	353(A,B)AV048080	41,500	12.0	14.5	42,000	3.80	8.2	26,000	2.62
3646800	215BNA042****A	CSPH*4212A**	353(A,B)AV060100	41,500	12.0	14.5	42,000	3.84	8.4	26,000	2.64
3646824	215BNA042****A	CSPH*4212A**	353(A,B)AV060120	41,500	12.5	15.0	42,000	3.86	8.4	26,000	2.66
3646672	215BNA042****A	CSPH*4212A**	353AAV036040	41,500	12.0	14.5	42,000	3.82	8.3	26,200	2.62
3646865	215BNA042****A	CSPH*4212A**	355(A,C)AV042060	41,500	12.0	14.5	42,000	3.80	8.2	26,200	2.60
3646897	215BNA042****A	CSPH*4212A**	355(A,C)AV042080	41,000	12.0	14.0	42,000	3.74	8.1	26,200	2.58
3646930	215BNA042****A	CSPH*4212A**	355(A,C)AV060080	41,500	12.0	14.0	42,000	3.76	8.1	26,200	2.58
3646966	215BNA042****A	CSPH*4212A**	355(A,C)AV060100	41,000	12.0	14.0	42,000	3.72	8.2	26,000	2.58
3646999	215BNA042****A	CSPH*4212A**	355(A,C)AV060120	41,500	12.0	14.5	42,000	3.78	8.3	26,000	2.60
3647026	215BNA042****A	CSPH*4212A**	355AAV042040	41,000	12.0	14.0	42,000	3.72	8.1	26,000	2.56
3756454	215BNA042****A	CSPH*4212A**	359BAV060080	41,000	12.0	14.0	42,000	3.82	8.2	26,400	2.62
3756455	215BNA042****A	CSPH*4212A**	359BAV060100	41,000	12.2	14.5	42,000	3.80	8.2	26,200	2.62
3829932	215BNA042****A	CSPH*4212A**	368RAN060120	41,500	12.5	15.0	42,000	3.78	8.5	25,800	2.62
3829931	215BNA042****A	CSPH*4212A**	374RAN060120	41,500	12.5	14.5	42,000	3.76	8.5	25,800	2.60
4805209	215BNA042****A	CSPH*4212A**	925*A42060E17***	41,500	11.8	14.2	42,000	3.70	8.2	26,400	2.54
4805210	215BNA042****A	CSPH*4212A**	925*A48080E17***	42,000	12.0	14.5	42,000	3.74	8.2	26,400	2.58
4805211	215BNA042****A	CSPH*4212A**	925*A48100E21***	41,500	12.0	14.5	42,000	3.74	8.2	26,000	2.58
4805212	215BNA042****A	CSPH*4212A**	925*A66120E24***	42,000	12.5	15.0	42,000	3.82	8.5	26,200	2.62
4836933	215BNA042****A	CSPH*4212A**	986*A42060V17***	41,500	11.8	14.2	42,000	3.68	8.2	26,400	2.54
4836934	215BNA042****A	CSPH*4212A**	986*A48080V17***	41,500	12.0	14.5	42,000	3.72	8.2	26,200	2.56
4836935	215BNA042****A	CSPH*4212A**	986*A48100V21***	42,000	12.0	14.5	42,000	3.76	8.2	26,200	2.58
4805205	215BNA042****A	CSPH*4212A**	987*A42060V17***	41,000	11.8	14.2	42,000	3.66	8.2	26,200	2.52
4805206	215BNA042****A	CSPH*4212A**	987*A42080V17***	41,000	12.0	14.5	42,000	3.68	8.2	26,000	2.54
4805207	215BNA042****A	CSPH*4212A**	987*A60100V21***	41,500	12.0	14.5	42,000	3.72	8.2	26,000	2.58
4805208	215BNA042****A	CSPH*4212A**	987*A66120V24***	41,500	12.5	15.0	42,000	3.74	8.5	25,800	2.60
4194516	215BNA042****A	CSPH*4212A**	OVLAA048112	42,000	12.0	14.0	42,000	3.76	8.2	26,600	2.56
4194517	215BNA042****A	CSPH*4212A**	OVLAA060154	42,000	12.5	15.0	42,000	3.90	8.7	26,800	2.64
4194515	215BNA042****A	CSPH*4212A**	OVMAA042112	41,500	12.0	14.5	42,000	3.74	8.2	26,200	2.58
3647320	215BNA042****A	CSPH*4212A**+TDR		41,000	11.5	13.5	42,000	3.76	8.0	27,200	2.56
3647070	215BNA042****A	CSPH*4812A**	313*AV048070	41,500	12.0	14.0	42,000	3.74	8.1	26,600	2.56
3647098	215BNA042****A	CSPH*4812A**	313*AV048090	42,000	12.5	15.0	42,000	3.84	8.5	26,000	2.64
3647126	215BNA042****A	CSPH*4812A**	313*AV060110	42,000	12.5	15.0	42,000	3.86	8.5	26,000	2.66
3647150	215BNA042****A	CSPH*4812A**	313*AV060135	42,000	12.5	15.0	42,000	3.84	8.4	26,000	2.64
3646462	215BNA042****A	CSPH*4812A**	315(A,J)AV036070	41,500	12.0	14.5	42,000	3.74	8.2	26,200	2.58
3646504	215BNA042****A	CSPH*4812A**	315(A,J)AV048090	41,500	12.5	15.0	42,000	3.82	8.4	26,000	2.62
3646543	215BNA042****A	CSPH*4812A**	315(A,J)AV060110	41,500	12.5	15.0	42,000	3.82	8.5	26,000	2.62
3646581	215BNA042****A	CSPH*4812A**	315(A,J)AV066135	42,000	12.5	15.0	42,000	3.86	8.5	25,800	2.64
3646619	215BNA042****A	CSPH*4812A**	315(A,J)AV066155	42,000	12.5	15.0	42,000	3.84	8.5	25,800	2.64
3646711	215BNA042****A	CSPH*4812A**	353(A,B)AV036060	42,000	12.5	14.5	42,000	3.84	8.3	26,400	2.62
3646744	215BNA042****A	CSPH*4812A**	353(A,B)AV036080	42,000	12.5	15.0	42,000	3.84	8.4	26,200	2.64
3646773	215BNA042****A	CSPH*4812A**	353(A,B)AV048080	42,000	12.5	14.5	42,000	3.82	8.3	26,200	2.62
3646801	215BNA042****A	CSPH*4812A**	353(A,B)AV060100	42,000	12.5	15.0	42,000	3.86	8.4	26,000	2.66
3646825	215BNA042****A	CSPH*4812A**	353(A,B)AV060120	42,000	12.5	15.0	42,000	3.80	8.5	26,000	2.66
3646673	215BNA042****A	CSPH*4812A**	353AAV036040	42,000	12.5	14.5	42,000	3.84	8.4	26,400	2.64
3646866	215BNA042****A	CSPH*4812A**	355(A,C)AV042060	42,000	12.5	14.5	42,000	3.82	8.3	26,200	2.62
3646898	215BNA042****A	CSPH*4812A**	355(A,C)AV042080	41,500	12.0	14.5	42,000	3.76	8.2	26,200	2.58
3646931	215BNA042****A	CSPH*4812A**	355(A,C)AV060080	41,500	12.5	14.5	42,000	3.78	8.2	26,200	2.60
3646967	215BNA042****A	CSPH*4812A**	355(A,C)AV060100	41,500	12.0	14.5	42,000	3.76	8.3	26,000	2.58
3647000	215BNA042****A	CSPH*4812A**	355(A,C)AV060120	41,500	12.5	15.0	42,000	3.82	8.5	26,000	2.62
3647027	215BNA042****A	CSPH*4812A**	355AAV042040	41,500	12.0	14.5	42,000	3.74	8.2	26,200	2.58
3756456	215BNA042****A	CSPH*4812A**	359BAV060080	42,000	12.2	14.5	42,000	3.86	8.4	26,600	2.62
3756457	215BNA042****A	CSPH*4812A**	359BAV060100	42,000	12.5	15.0	42,000	3.84	8.5	26,200	2.62
3829934	215BNA042****A	CSPH*4812A**	368RAN060120	42,000	12.5	15.0	42,000	3.82	8.5	26,000	2.62
3829933	215BNA042****A	CSPH*4812A**	374RAN060120	41,500	12.5	15.0	42,000	3.80	8.5	26,000	2.62
4805217	215BNA042****A	CSPH*4812A**	925*A42060E17***	41,500	12.0	14.5	42,000	3.74	8.2	26,400	2.56
4805218	215BNA042****A	CSPH*4812A**	925*A48080E17***	42,000	12.0	14.5	42,000	3.78	8.2	26,400	2.58
4805219	215BNA042****A	CSPH*4812A**	925*A48100E21***	41,500	12.0	14.5	42,000	3.76	8.2	26,200	2.58
4805220	215BNA042****A	CSPH*4812A**	925*A66120E24***	42,000	12.5	15.0	42,000	3.86	8.5	26,200	2.64
4836936	215BNA042****A	CSPH*4812A**	986*A42060V17***	41,500	11.8	14.2	42,000	3.72	8.2	26,400	2.56
4836937	215BNA042****A	CSPH*4812A**	986*A48080V17***	41,500	12.0	14.5	42,000	3.74	8.2	26,200	2.58
4836938	215BNA042****A	CSPH*4812A**	986*A48100V21***	42,000	12.0	14.5	42,000	3.78	8.5	26,400	2.60
4836939	215BNA042****A	CSPH*4812A**	986*A66120V24***	42,000	12.5	15.0	42,000	3.80	8.5	26,000	2.62
4805213	215BNA042****A	CSPH*4812A**	987*A42060V17***	41,000	11.8	14.2	42,000	3.68	8.2	26,200	2.54
4805214	215BNA042****A	CSPH*4812A**	987*A42080V17***	41,500	12.0	14.5	42,000	3.72	8.2	26,000	2.56
4805215	215BNA042****A	CSPH*4812A**	987*A60100V21***	41,500	12.0	14.5	42,000	3.74	8.5	26,000	2.58
4805216	215BNA042****A	CSPH*4812A**	987*A66120V24***	41,500	12.5	15.0	42,000	3.78	8.5	25,800	2.60
4194519	215BNA042****A	CSPH*4812A**	OVLAA048112	42,000	12.0	14.5	42,000	3.78	8.5	26,600	2.58
4194520	215BNA042****A	CSPH*4812A**	OVLAA060154	42,000	12.5	15.0	42,000	3.92	8.7	26,800	2.66
4194518	215BNA042****A	CSPH*4812A**	OVMAA042112	42,000	12.0	14.5	42,000	3.76	8.2	26,200	2.58
3647321	215BNA042****A	CSPH*4812A**+TDR		42,000	11.5	14.0	42,000	3.78	8.2	27,200	2.56
3829913	215BNA042****A	FB4CNF042		42,000	12.0	13.5	42,000	3.80	8.5	26,400	2.62
3692797	215BNA042****A	FB4CNF042+TXV		42,000	12.5	14.5	42,000	3.80	8.5	26,400	2.62
3829914	215BNA042****A	FB4CNF048		42,000	12.5	13.5	42,000	3.82	8.5	26,400	2.62
3692798	215BNA042****A	FB4CNF048+TXV		42,000	12.5	15.0	42,000	3.82	8.5	26,400	2.62
3647328	215BNA042****A	FE4AN(B,F)003+UI		41,000	12.0	14.5	42,000	3.68	8.2	25,600	2.56
3647331	215BNA042****A	FE4AN(B,F)005+UI		42,000	13.0	15.5	42,000	3.88	8.7	25,800	2.68
3647334	215BNA042****A	FE4ANB006+UI		42,000	13.0	16.0	42,000	4.02	9.0	25,800	2.74
3647375	215BNA042****A	FV4CN(B,F)003		41,000	12.0	14.5	42,000	3.68	8.2	25,600	2.56

See notes on page 39

215B

COMBINATION RATINGS CONTINUED

AHRI Ref. No.	Model Number	Coil Model Number	Furnace Model Number	Cooling Capacity	EER	SEER	High Temp		HSPF	Low Temp	
							E Capacity	E COP		H Capacity	H COP
3647378	215BNA042****A	FV4CN(B,F)005		42,000	13.0	15.5	42,000	3.88	8.7	25,800	2.68
3647381	215BNA042****A	FV4CNB006		42,000	13.0	16.0	42,000	4.02	9.0	25,800	2.74
3647407	215BNA042****A	FX4DN(B,F)049		42,000	13.0	15.5	42,000	3.96	8.6	26,400	2.70
3829915	215BNA042****A	FY5BNF042		42,000	12.0	13.0	42,000	3.76	8.5	26,600	2.58
3692786	215BNA042****A	FY5BNF042+TXV		42,000	12.0	14.5	42,000	3.76	8.2	26,600	2.58
3829916	215BNA042****A	FY5BNF048		42,000	12.0	13.5	42,000	3.82	8.5	26,800	2.62
3692787	215BNA042****A	FY5BNF048+TXV		42,000	12.0	14.5	42,000	3.80	8.4	27,000	2.60
4843469	215BNA048****A	†FX4DN(B,F)049		47,500	12.5	15.0	46,500	3.84	8.5	29,000	2.66
3646470	215BNA048****A	CAP**4817A**	315(A,J)AV048090	45,500	11.5	14.0	45,500	3.68	7.9	28,800	2.56
3646749	215BNA048****A	CAP**4817A**	353(A,B)AV048080	45,500	11.5	14.0	46,000	3.70	8.0	29,200	2.56
4805221	215BNA048****A	CAP**4817A**	925*A48080E17***	45,000	11.4	13.7	46,000	3.60	8.0	29,200	2.52
4838110	215BNA048****A	CAP**4817A**	986*A48080V17***	45,000	11.4	13.7	46,000	3.62	8.0	29,200	2.52
3647251	215BNA048****A	CAP**4817A**+TDR		45,000	11.5	13.5	46,000	3.66	7.9	29,200	2.54
3647076	215BNA048****A	CAP**4821A**	313*AV048090	45,500	12.0	14.0	45,500	3.68	7.9	28,800	2.56
3647105	215BNA048****A	CAP**4821A**	313*AV060110	45,000	12.0	14.5	45,000	3.70	8.0	28,400	2.58
3646512	215BNA048****A	CAP**4821A**	315(A,J)AV060110	45,000	11.5	14.0	45,000	3.66	7.9	28,600	2.56
3646781	215BNA048****A	CAP**4821A**	353(A,B)AV060100	45,500	12.0	14.0	45,000	3.70	8.0	28,600	2.58
3646904	215BNA048****A	CAP**4821A**	355(A,C)AV060080	44,500	11.5	14.0	45,000	3.60	7.8	28,600	2.52
3646939	215BNA048****A	CAP**4821A**	355(A,C)AV060100	45,000	11.5	13.5	45,500	3.64	7.8	29,000	2.54
3647193	215BNA048****A	CAP**4821A**	355BAV060080	44,500	11.5	14.0	45,000	3.60	7.8	28,600	2.52
3647207	215BNA048****A	CAP**4821A**	355BAV060100	45,000	11.5	13.5	45,500	3.64	7.8	29,000	2.54
4194521	215BNA048****A	CAP**4821A**	359BAV060080	45,500	11.5	13.5	46,000	3.66	8.0	29,200	2.54
3829939	215BNA048****A	CAP**4821A**	368RAN060120	45,000	12.0	14.0	45,000	3.66	8.0	28,600	2.56
3829938	215BNA048****A	CAP**4821A**	374RAN060120	45,000	11.5	14.0	45,500	3.64	8.0	28,800	2.54
4805223	215BNA048****A	CAP**4821A**	925*A48080E17***	45,000	11.2	13.5	45,500	3.56	7.8	29,000	2.50
4805224	215BNA048****A	CAP**4821A**	925*A48100E21***	45,000	11.4	13.7	45,500	3.60	8.0	28,800	2.52
4838111	215BNA048****A	CAP**4821A**	986*A48080V17***	45,000	11.2	13.5	45,500	3.58	7.8	29,200	2.50
4838112	215BNA048****A	CAP**4821A**	986*A48100V21***	45,000	11.4	13.7	45,500	3.62	8.0	29,000	2.52
4805222	215BNA048****A	CAP**4821A**	987*A60100V21***	44,500	11.5	14.0	45,000	3.60	7.8	28,600	2.52
3647253	215BNA048****A	CAP**4821A**+TDR		45,500	11.5	13.5	46,500	3.68	7.9	29,600	2.54
3646630	215BNA048****A	CAP**4823A**	359BAV060080	45,500	11.5	13.5	46,000	3.66	7.9	29,200	2.54
4194527	215BNA048****A	CAP**4823A**	359BAV060100	45,000	11.5	14.0	45,500	3.66	8.0	29,000	2.56
4805238	215BNA048****A	CAP**4823A**	925*A48100E21***	45,000	11.4	13.7	45,500	3.60	8.0	28,800	2.52
4805239	215BNA048****A	CAP**4823A**	925*A66120E24***	45,000	11.8	14.2	45,500	3.66	8.0	28,600	2.56
4838119	215BNA048****A	CAP**4823A**	986*A48100V21***	45,000	11.4	13.7	45,500	3.62	8.0	29,000	2.52
4838120	215BNA048****A	CAP**4823A**	986*A66120V24***	45,000	11.8	14.2	45,000	3.66	8.0	28,600	2.56
4805236	215BNA048****A	CAP**4823A**	987*A60100V21***	44,500	11.5	14.0	45,000	3.60	7.8	28,600	2.52
4805237	215BNA048****A	CAP**4823A**	987*A66120V24***	45,000	11.8	14.2	45,000	3.62	8.0	28,400	2.54
3647255	215BNA048****A	CAP**4823A**+TDR		45,500	11.5	13.5	46,500	3.68	7.9	29,600	2.54
3647132	215BNA048****A	CAP**4824A**	313*AV060135	45,500	12.0	14.0	45,500	3.70	8.0	28,600	2.58
3646550	215BNA048****A	CAP**4824A**	315(A,J)AV066135	45,500	12.0	14.5	45,000	3.70	8.0	28,400	2.60
3646588	215BNA048****A	CAP**4824A**	315(A,J)AV066155	45,500	12.0	14.5	45,000	3.74	8.0	28,400	2.60
3646807	215BNA048****A	CAP**4824A**	353(A,B)AV060120	45,500	12.0	14.5	45,000	3.74	8.1	28,600	2.62
3646973	215BNA048****A	CAP**4824A**	355(A,C)AV060120	45,000	12.0	14.0	45,000	3.66	7.9	28,600	2.56
3647220	215BNA048****A	CAP**4824A**	355BAV060120	45,000	12.0	14.0	45,000	3.66	7.9	28,600	2.56
4194522	215BNA048****A	CAP**4824A**	359BAV060080	45,500	11.5	14.0	46,000	3.68	8.0	29,200	2.56
4194523	215BNA048****A	CAP**4824A**	359BAV060100	45,500	11.5	14.0	45,500	3.68	8.0	29,000	2.56
4805227	215BNA048****A	CAP**4824A**	925*A48100E21***	45,000	11.4	13.7	45,500	3.62	8.0	28,800	2.52
4805228	215BNA048****A	CAP**4824A**	925*A66120E24***	45,500	11.8	14.2	45,500	3.68	8.0	28,600	2.56
4838113	215BNA048****A	CAP**4824A**	986*A48100V21***	45,000	11.4	13.7	45,500	3.62	8.0	29,200	2.52
4838114	215BNA048****A	CAP**4824A**	986*A66120V24***	45,500	11.8	14.2	45,500	3.68	8.0	28,600	2.56
4805225	215BNA048****A	CAP**4824A**	987*A60100V21***	45,000	11.5	14.0	45,000	3.60	8.0	28,600	2.52
4805226	215BNA048****A	CAP**4824A**	987*A66120V24***	45,000	11.8	14.2	45,000	3.64	8.0	28,200	2.56
3647257	215BNA048****A	CAP**4824A**+TDR		45,500	11.5	13.5	46,500	3.68	7.9	29,600	2.54
3647077	215BNA048****A	CAP**6021A**	313*AV048090	46,500	12.0	14.5	45,500	3.74	8.1	28,800	2.62
3647106	215BNA048****A	CAP**6021A**	313*AV060110	46,500	12.5	14.5	45,000	3.78	8.1	28,600	2.64
3646513	215BNA048****A	CAP**6021A**	315(A,J)AV060110	46,000	12.0	14.5	45,500	3.72	8.0	28,800	2.60
3646782	215BNA048****A	CAP**6021A**	353(A,B)AV060100	46,500	12.0	14.5	45,500	3.78	8.1	28,800	2.62
3646905	215BNA048****A	CAP**6021A**	355(A,C)AV060080	45,500	12.0	14.0	45,500	3.66	7.9	28,800	2.56
3646940	215BNA048****A	CAP**6021A**	355(A,C)AV060100	46,000	12.0	14.0	45,500	3.70	8.0	29,000	2.58
3647194	215BNA048****A	CAP**6021A**	355BAV060080	45,500	12.0	14.0	45,500	3.66	7.9	28,800	2.56
3647208	215BNA048****A	CAP**6021A**	355BAV060100	46,000	12.0	14.0	45,500	3.70	8.0	29,000	2.58
4194524	215BNA048****A	CAP**6021A**	359BAV060080	46,500	11.5	14.0	46,000	3.72	8.0	29,400	2.58
3829941	215BNA048****A	CAP**6021A**	368RAN060120	46,000	12.0	14.5	45,500	3.72	8.0	28,600	2.60
3829940	215BNA048****A	CAP**6021A**	374RAN060120	46,000	12.0	14.0	45,500	3.70	8.0	28,800	2.58
4805230	215BNA048****A	CAP**6021A**	925*A48080E17***	46,000	11.4	13.7	46,000	3.62	8.0	29,200	2.54
4805231	215BNA048****A	CAP**6021A**	925*A48100E21***	46,000	11.8	14.2	45,500	3.66	8.0	29,000	2.56
4838115	215BNA048****A	CAP**6021A**	986*A48080V17***	46,000	11.4	13.7	46,000	3.64	8.0	29,200	2.54
4838116	215BNA048****A	CAP**6021A**	986*A48100V21***	46,000	11.5	14.0	46,000	3.68	8.0	29,200	2.56
4805229	215BNA048****A	CAP**6021A**	987*A60100V21***	45,500	11.8	14.2	45,500	3.66	8.0	28,800	2.56
3647258	215BNA048****A	CAP**6021A**+TDR		46,500	11.5	13.5	46,500	3.74	8.1	29,800	2.58
3647133	215BNA048****A	CAP**6024A**	313*AV060135	46,500	12.0	14.5	45,500	3.76	8.1	28,800	2.62
3646551	215BNA048****A	CAP**6024A**	315(A,J)AV066135	46,000	12.0	14.5	45,000	3.76	8.1	28,600	2.62
3646589	215BNA048****A	CAP**6024A**	315(A,J)AV066155	46,500	12.5	15.0	45,000	3.78	8.1	28,400	2.64
3646808	215BNA048****A	CAP**6024A**	353(A,B)AV060120	46,500	12.0	14.5	45,500	3.80	8.2	28,800	2.64
3646974	215BNA048****A	CAP**6024A**	355(A,C)AV060120	46,000	12.0	14.5	45,500	3.72	8.0	28,800	2.60
3647221	215BNA048****A	CAP**6024A**	355BAV060120	46,000	12.0	14.5	45,500	3.72	8.0	28,800	2.60
4194525	215BNA048****A	CAP**6024A**	359BAV060080	46,500	12.0	14.0	46,000	3.74	8.2	29,400	2.58

See notes on page 39

COMBINATION RATINGS CONTINUED

AHRI Ref. No.	Model Number	Coil Model Number	Furnace Model Number	Cooling Capacity	EER	SEER	High Temp		HSPF	Low Temp	
							E Capacity	E COP		H Capacity	H COP
4194526	215BNA048****A	CAP**6024A**	359BAV060100	46,500	12.0	14.0	45,500	3.74	8.2	29,000	2.60
4805234	215BNA048****A	CAP**6024A**	925*A48100E21***	46,000	11.8	14.2	45,500	3.68	8.0	29,000	2.56
4805235	215BNA048****A	CAP**6024A**	925*A66120E24***	46,500	12.0	14.5	45,500	3.74	8.2	28,800	2.60
4838117	215BNA048****A	CAP**6024A**	986*A48100V21***	46,000	11.5	14.0	46,000	3.68	8.0	29,200	2.56
4838118	215BNA048****A	CAP**6024A**	986*A66120V24***	46,000	12.0	14.5	45,500	3.72	8.2	28,800	2.60
4805232	215BNA048****A	CAP**6024A**	987*A60100V21***	45,500	11.8	14.2	45,500	3.66	8.0	28,600	2.56
4805233	215BNA048****A	CAP**6024A**	987*A66120V24***	46,000	12.0	14.5	45,000	3.68	8.0	28,400	2.58
3647260	215BNA048****A	CAP**6024A**+TDR		46,500	11.5	13.5	46,500	3.74	8.1	29,800	2.56
4194528	215BNA048****A	CAP**6025A**	359BAV060080	46,500	11.5	14.0	46,000	3.74	8.2	29,400	2.58
3646633	215BNA048****A	CAP**6025A**	359BAV060100	46,500	12.0	14.0	45,500	3.74	8.1	29,000	2.60
4805242	215BNA048****A	CAP**6025A**	925*A48100E21***	46,000	11.8	14.2	45,500	3.68	8.0	29,000	2.56
4805243	215BNA048****A	CAP**6025A**	925*A66120E24***	46,500	12.0	14.5	45,500	3.74	8.2	28,800	2.60
4838121	215BNA048****A	CAP**6025A**	986*A48100V21***	46,000	11.5	14.0	46,000	3.68	8.0	29,200	2.56
4838122	215BNA048****A	CAP**6025A**	986*A66120V24***	46,000	12.0	14.5	45,500	3.72	8.2	28,800	2.60
4805240	215BNA048****A	CAP**6025A**	987*A60100V21***	45,500	11.8	14.2	45,500	3.66	8.0	28,800	2.56
4805241	215BNA048****A	CAP**6025A**	987*A66120V24***	46,000	12.0	14.5	45,000	3.68	8.0	28,400	2.58
3647262	215BNA048****A	CAP**6025A**+TDR		46,500	11.5	13.5	46,500	3.74	8.1	29,800	2.56
3647084	215BNA048****A	CNPH*4821A**	313*AV048090	45,500	12.0	14.0	45,500	3.70	7.9	28,800	2.58
3647112	215BNA048****A	CNPH*4821A**	313*AV060110	45,500	12.0	14.5	45,000	3.74	8.0	28,400	2.60
3647137	215BNA048****A	CNPH*4821A**	313*AV060135	45,500	12.0	14.0	45,000	3.72	8.0	28,600	2.60
3646480	215BNA048****A	CNPH*4821A**	315(A,J)AV048090	45,000	12.0	14.0	45,000	3.66	7.9	28,600	2.56
3646523	215BNA048****A	CNPH*4821A**	315(A,J)AV060110	45,500	12.0	14.0	45,000	3.68	7.9	28,600	2.58
3646561	215BNA048****A	CNPH*4821A**	315(A,J)AV066135	45,500	12.0	14.5	45,000	3.72	8.0	28,400	2.60
3646599	215BNA048****A	CNPH*4821A**	315(A,J)AV066155	45,500	12.0	14.5	45,000	3.74	8.0	28,400	2.62
3646756	215BNA048****A	CNPH*4821A**	353(A,B)AV048080	45,500	11.5	14.0	45,500	3.68	7.9	29,000	2.56
3646788	215BNA048****A	CNPH*4821A**	353(A,B)AV060100	45,500	12.0	14.5	45,000	3.72	8.0	28,600	2.60
3646812	215BNA048****A	CNPH*4821A**	353(A,B)AV060120	46,000	12.0	14.5	45,000	3.76	8.1	28,600	2.62
3646914	215BNA048****A	CNPH*4821A**	355(A,C)AV060080	45,000	11.5	14.0	45,000	3.62	7.8	28,600	2.54
3646949	215BNA048****A	CNPH*4821A**	355(A,C)AV060100	45,500	11.5	13.5	45,500	3.66	7.8	28,800	2.54
3646983	215BNA048****A	CNPH*4821A**	355(A,C)AV060120	45,500	12.0	14.0	45,000	3.68	7.9	28,600	2.56
3756461	215BNA048****A	CNPH*4821A**	359BAV060080	45,500	11.5	13.5	46,000	3.68	8.0	29,200	2.56
3756462	215BNA048****A	CNPH*4821A**	359BAV060100	45,500	12.0	14.0	45,500	3.68	8.0	29,000	2.56
3829945	215BNA048****A	CNPH*4821A**	368RAN060120	45,500	12.0	14.5	45,000	3.68	8.0	28,400	2.58
3829944	215BNA048****A	CNPH*4821A**	374RAN060120	45,000	12.0	14.0	45,000	3.66	8.0	28,600	2.56
4805261	215BNA048****A	CNPH*4821A**	925*A48080E17***	45,000	11.4	13.7	45,500	3.58	8.0	29,000	2.50
4805262	215BNA048****A	CNPH*4821A**	925*A48100E21***	45,000	11.5	14.0	45,500	3.62	8.0	28,800	2.54
4805263	215BNA048****A	CNPH*4821A**	925*A66120E24***	45,500	11.8	14.2	45,500	3.70	8.0	28,800	2.58
4838131	215BNA048****A	CNPH*4821A**	986*A48080V17***	45,000	11.4	13.7	45,500	3.60	7.8	29,200	2.52
4838132	215BNA048****A	CNPH*4821A**	986*A48100V21***	45,500	11.4	13.7	45,500	3.64	8.0	29,000	2.54
4838133	215BNA048****A	CNPH*4821A**	986*A66120V24***	45,500	11.8	14.2	45,000	3.68	8.0	28,600	2.58
4805259	215BNA048****A	CNPH*4821A**	987*A60100V21***	45,000	11.5	14.0	45,000	3.62	8.0	28,600	2.54
4805260	215BNA048****A	CNPH*4821A**	987*A66120V24***	45,000	11.8	14.2	45,000	3.64	8.0	28,400	2.56
4194537	215BNA048****A	CNPH*4821A**	OVLAAB060154	46,000	11.5	14.0	46,500	3.76	8.2	29,600	2.58
3647279	215BNA048****A	CNPH*4821A**+TDR		45,500	11.5	13.5	46,500	3.68	7.9	29,600	2.54
3647085	215BNA048****A	CNPH*6024A**	313*AV048090	46,500	12.0	14.5	45,500	3.76	8.1	29,000	2.62
3647113	215BNA048****A	CNPH*6024A**	313*AV060110	46,500	12.5	15.0	45,000	3.78	8.1	28,600	2.64
3647138	215BNA048****A	CNPH*6024A**	313*AV060135	46,500	12.0	14.5	45,500	3.78	8.1	28,800	2.64
3646481	215BNA048****A	CNPH*6024A**	315(A,J)AV048090	46,000	12.0	14.5	45,000	3.70	8.0	28,600	2.60
3646524	215BNA048****A	CNPH*6024A**	315(A,J)AV060110	46,000	12.0	14.5	45,000	3.72	8.0	28,600	2.62
3646562	215BNA048****A	CNPH*6024A**	315(A,J)AV066135	46,000	12.5	14.5	45,000	3.76	8.1	28,600	2.64
3646600	215BNA048****A	CNPH*6024A**	315(A,J)AV066155	46,500	12.5	15.0	45,000	3.78	8.1	28,400	2.66
3646757	215BNA048****A	CNPH*6024A**	353(A,B)AV048080	46,500	12.0	14.0	46,000	3.72	8.0	29,200	2.60
3646789	215BNA048****A	CNPH*6024A**	353(A,B)AV060100	46,500	12.0	14.5	45,500	3.78	8.1	28,800	2.64
3646813	215BNA048****A	CNPH*6024A**	353(A,B)AV060120	46,500	12.0	14.5	45,500	3.80	8.2	28,800	2.66
3646915	215BNA048****A	CNPH*6024A**	355(A,C)AV060080	45,500	12.0	14.0	45,000	3.66	7.9	28,600	2.58
3646950	215BNA048****A	CNPH*6024A**	355(A,C)AV060100	46,000	12.0	14.0	45,500	3.70	8.0	29,000	2.58
3646984	215BNA048****A	CNPH*6024A**	355(A,C)AV060120	46,000	12.0	14.5	45,500	3.72	8.0	28,800	2.60
3756463	215BNA048****A	CNPH*6024A**	359BAV060080	46,500	12.0	14.0	45,500	3.74	8.1	29,400	2.60
3756464	215BNA048****A	CNPH*6024A**	359BAV060100	46,500	12.0	14.0	45,500	3.74	8.1	29,000	2.60
3829947	215BNA048****A	CNPH*6024A**	368RAN060120	46,000	12.0	14.5	45,000	3.74	8.0	28,600	2.62
3829946	215BNA048****A	CNPH*6024A**	374RAN060120	46,000	12.0	14.5	45,500	3.70	8.0	28,800	2.60
4805266	215BNA048****A	CNPH*6024A**	925*A48080E17***	46,000	11.5	14.0	46,000	3.64	8.0	29,200	2.54
4805267	215BNA048****A	CNPH*6024A**	925*A48100E21***	46,000	11.8	14.2	45,500	3.68	8.0	29,000	2.56
4805268	215BNA048****A	CNPH*6024A**	925*A66120E24***	46,500	12.0	14.5	45,500	3.74	8.2	28,800	2.60
4838134	215BNA048****A	CNPH*6024A**	986*A48080V17***	46,000	11.5	14.0	46,000	3.64	8.0	29,200	2.54
4838135	215BNA048****A	CNPH*6024A**	986*A48100V21***	46,000	11.8	14.2	46,000	3.68	8.0	29,200	2.56
4838136	215BNA048****A	CNPH*6024A**	986*A66120V24***	46,000	12.0	14.5	45,500	3.74	8.2	28,800	2.60
4805264	215BNA048****A	CNPH*6024A**	987*A60100V21***	45,500	11.8	14.2	45,000	3.66	8.0	28,600	2.56
4805265	215BNA048****A	CNPH*6024A**	987*A66120V24***	46,000	12.0	14.5	45,000	3.68	8.2	28,400	2.60
4194538	215BNA048****A	CNPH*6024A**	OVLAAB060154	47,000	12.0	14.0	46,500	3.80	8.2	29,600	2.62
3647280	215BNA048****A	CNPH*6024A**+TDR		46,500	11.5	13.5	46,500	3.72	8.1	29,800	2.56
3647086	215BNA048****A	CNPH*6124A**	313*AV048090	46,500	12.0	14.5	46,000	3.80	8.2	29,000	2.62
3647115	215BNA048****A	CNPH*6124A**	313*AV060110	46,500	12.5	14.5	45,500	3.82	8.2	28,600	2.64
3647140	215BNA048****A	CNPH*6124A**	313*AV060135	46,500	12.0	14.5	45,500	3.82	8.2	28,800	2.64
3646482	215BNA048****A	CNPH*6124A**	315(A,J)AV048090	46,000	12.0	14.5	45,500	3.74	8.1	28,800	2.60
3646526	215BNA048****A	CNPH*6124A**	315(A,J)AV060110	46,500	12.0	14.5	45,500	3.76	8.1	28,800	2.62
3646564	215BNA048****A	CNPH*6124A**	315(A,J)AV066135	46,500	12.5	14.5	45,500	3.80	8.2	28,600	2.64
3646602	215BNA048****A	CNPH*6124A**	315(A,J)AV066155	46,500	12.5	15.0	45,500	3.84	8.2	28,600	2.66
3646759	215BNA048****A	CNPH*6124A**	353(A,B)AV048080	46,500	12.0	14.0	46,000	3.80	8.1	29,200	2.60

See notes on page 39

215B

COMBINATION RATINGS CONTINUED

AHRI Ref. No.	Model Number	Coil Model Number	Furnace Model Number	Cooling Capacity	EER	SEER	High Temp		HSPF	Low Temp	
							E Capacity	E COP		H Capacity	H COP
3646791	215BNA048****A	CNPH*6124A**	353(A,B)AV060100	46,500	12.0	14.5	45,500	3.82	8.2	28,800	2.64
3646815	215BNA048****A	CNPH*6124A**	353(A,B)AV060120	47,000	12.5	15.0	45,500	3.86	8.3	28,800	2.66
3646916	215BNA048****A	CNPH*6124A**	355(A,C)AV060080	46,000	12.0	14.0	45,500	3.70	8.0	28,800	2.58
3646951	215BNA048****A	CNPH*6124A**	355(A,C)AV060100	46,500	12.0	14.0	46,000	3.76	8.1	29,200	2.58
3646985	215BNA048****A	CNPH*6124A**	355(A,C)AV060120	46,500	12.0	14.5	45,500	3.76	8.1	28,800	2.60
3756465	215BNA048****A	CNPH*6124A**	359BAV060080	46,500	12.0	14.0	46,500	3.80	8.2	29,400	2.60
3756466	215BNA048****A	CNPH*6124A**	359BAV060100	46,500	12.2	14.5	46,000	3.78	8.2	29,200	2.60
3829949	215BNA048****A	CNPH*6124A**	368RAN060120	46,500	12.0	14.5	45,500	3.78	8.2	28,800	2.62
3829948	215BNA048****A	CNPH*6124A**	374RAN060120	46,000	12.0	14.5	45,500	3.74	8.2	28,800	2.60
4805271	215BNA048****A	CNPH*6124A**	925*A48080E17***	46,000	11.5	14.0	46,000	3.68	8.0	29,200	2.54
4805272	215BNA048****A	CNPH*6124A**	925*A48100E21***	46,000	11.8	14.2	46,000	3.72	8.2	29,000	2.58
4805273	215BNA048****A	CNPH*6124A**	925*A66120E24***	46,500	12.0	14.5	46,000	3.80	8.2	29,000	2.62
4838137	215BNA048****A	CNPH*6124A**	986*A48080V17***	45,500	11.8	14.2	45,500	3.64	8.0	28,800	2.56
4838138	215BNA048****A	CNPH*6124A**	986*A48100V21***	46,000	11.8	14.2	45,500	3.68	8.0	28,800	2.58
4838139	215BNA048****A	CNPH*6124A**	986*A66120V24***	46,000	12.0	14.5	45,000	3.72	8.2	28,400	2.60
4805269	215BNA048****A	CNPH*6124A**	987*A60100V21***	46,000	11.8	14.2	45,500	3.68	8.0	28,800	2.58
4805270	215BNA048****A	CNPH*6124A**	987*A66120V24***	46,000	12.0	14.5	45,000	3.72	8.2	28,600	2.60
4194539	215BNA048****A	CNPH*6124A**	OVLAAB060154	47,500	12.0	14.0	47,000	3.90	8.5	29,800	2.62
3647283	215BNA048****A	CNPH*6124A**+TDR		47,000	11.5	14.0	47,000	3.82	8.2	29,800	2.58
3647092	215BNA048****A	CNPV*4821A**	313*AV048090	45,500	12.0	14.0	45,500	3.70	7.9	28,800	2.58
3647122	215BNA048****A	CNPV*4821A**	313*AV060110	45,500	12.0	14.5	45,000	3.74	8.0	28,400	2.60
3648534	215BNA048****A	CNPV*4821A**	315(A,J)AV060110	45,500	12.0	14.0	45,000	3.68	7.9	28,600	2.58
3646797	215BNA048****A	CNPV*4821A**	353(A,B)AV060100	45,500	12.0	14.5	45,000	3.72	8.0	28,600	2.60
3646923	215BNA048****A	CNPV*4821A**	355(A,C)AV060080	45,000	11.5	14.0	45,000	3.62	7.8	28,600	2.54
3646958	215BNA048****A	CNPV*4821A**	355(A,C)AV060100	45,500	11.5	13.5	45,500	3.66	7.8	28,800	2.54
3647201	215BNA048****A	CNPV*4821A**	355BAV060080	45,000	11.5	14.0	45,000	3.62	7.8	28,600	2.54
3647215	215BNA048****A	CNPV*4821A**	355BAV060100	45,500	11.5	13.5	45,500	3.66	7.8	28,800	2.54
4194529	215BNA048****A	CNPV*4821A**	359BAV060080	45,500	11.5	14.0	46,000	3.68	8.0	29,200	2.56
3829943	215BNA048****A	CNPV*4821A**	368RAN060120	45,500	12.0	14.5	45,000	3.68	8.0	28,400	2.58
3829942	215BNA048****A	CNPV*4821A**	374RAN060120	45,000	12.0	14.0	45,000	3.66	8.0	28,600	2.56
4805245	215BNA048****A	CNPV*4821A**	925*A48080E17***	45,000	11.4	13.7	45,500	3.58	7.8	29,000	2.50
4805246	215BNA048****A	CNPV*4821A**	925*A48100E21***	45,000	11.5	14.0	45,500	3.62	8.0	28,800	2.54
4838123	215BNA048****A	CNPV*4821A**	986*A48080V17***	45,000	11.4	13.7	45,500	3.60	7.8	29,200	2.52
4838124	215BNA048****A	CNPV*4821A**	986*A48100V21***	45,500	11.4	13.7	45,500	3.64	8.0	29,000	2.54
4805244	215BNA048****A	CNPV*4821A**	987*A60100V21***	45,000	11.5	14.0	45,000	3.62	8.0	28,600	2.54
3647306	215BNA048****A	CNPV*4821A**+TDR		45,500	11.5	13.5	46,500	3.68	7.9	29,600	2.54
3647144	215BNA048****A	CNPV*4824A**	313*AV060135	45,500	12.0	14.0	45,000	3.72	8.0	28,600	2.60
3646569	215BNA048****A	CNPV*4824A**	315(A,J)AV066135	45,500	12.0	14.5	45,000	3.72	8.0	28,400	2.60
3646607	215BNA048****A	CNPV*4824A**	315(A,J)AV066155	45,500	12.0	14.5	45,000	3.74	8.0	28,400	2.62
3646819	215BNA048****A	CNPV*4824A**	353(A,B)AV060120	46,000	12.0	14.5	45,000	3.76	8.1	28,600	2.62
3646989	215BNA048****A	CNPV*4824A**	355(A,C)AV060120	45,500	12.0	14.0	45,000	3.68	7.9	28,600	2.56
3647225	215BNA048****A	CNPV*4824A**	355BAV060120	45,500	12.0	14.0	45,000	3.68	7.9	28,600	2.56
4194530	215BNA048****A	CNPV*4824A**	359BAV060080	45,500	11.5	14.0	46,000	3.68	8.0	29,200	2.56
4149769	215BNA048****A	CNPV*4824A**	359BAV060100	45,500	12.0	14.0	45,500	3.68	8.0	29,000	2.56
3756458	215BNA048****A	CNPV*4824A**	359BAV060100 (DWNFLW ONLY)	45,500	12.0	14.0	45,500	3.68	8.0	29,000	2.56
4805249	215BNA048****A	CNPV*4824A**	925*A48100E21***	45,000	11.5	14.0	45,500	3.62	8.0	28,800	2.54
4805250	215BNA048****A	CNPV*4824A**	925*A66120E24***	45,500	11.8	14.2	45,500	3.70	8.0	28,800	2.58
4838125	215BNA048****A	CNPV*4824A**	986*A48100V21***	45,500	11.4	13.7	45,500	3.64	8.0	29,000	2.54
4838126	215BNA048****A	CNPV*4824A**	986*A66120V24***	45,500	11.8	14.2	45,000	3.68	8.0	28,600	2.58
4805247	215BNA048****A	CNPV*4824A**	987*A60100V21***	45,000	11.5	14.0	45,000	3.62	8.0	28,600	2.54
4805248	215BNA048****A	CNPV*4824A**	987*A66120V24***	45,000	11.8	14.2	45,000	3.64	8.0	28,400	2.56
4194533	215BNA048****A	CNPV*4824A**	OVLAAB060154	46,000	11.5	14.0	46,500	3.76	8.2	29,600	2.58
3647308	215BNA048****A	CNPV*4824A**+TDR		45,500	11.5	13.5	46,500	3.68	7.9	29,600	2.54
3647145	215BNA048****A	CNPV*6024A**	313*AV060135	46,500	12.0	14.5	45,500	3.78	8.1	28,800	2.64
3648570	215BNA048****A	CNPV*6024A**	315(A,J)AV066135	46,000	12.5	14.5	45,000	3.76	8.1	28,600	2.64
3646608	215BNA048****A	CNPV*6024A**	315(A,J)AV066155	46,500	12.5	15.0	45,000	3.78	8.1	28,400	2.66
3646820	215BNA048****A	CNPV*6024A**	353(A,B)AV060120	46,500	12.0	14.5	45,500	3.80	8.2	28,800	2.66
3646990	215BNA048****A	CNPV*6024A**	355(A,C)AV060120	46,000	12.0	14.5	45,500	3.72	8.0	28,800	2.60
3647226	215BNA048****A	CNPV*6024A**	355BAV060120	46,000	12.0	14.5	45,500	3.72	8.0	28,800	2.60
4194531	215BNA048****A	CNPV*6024A**	359BAV060080	46,500	12.0	14.0	46,000	3.74	8.2	29,400	2.60
4149770	215BNA048****A	CNPV*6024A**	359BAV060100	46,500	12.0	14.0	45,500	3.74	8.1	29,000	2.60
3756459	215BNA048****A	CNPV*6024A**	359BAV060100 (DWNFLW ONLY)	46,500	12.0	14.0	45,500	3.74	8.1	29,000	2.60
4805253	215BNA048****A	CNPV*6024A**	925*A48100E21***	46,000	11.8	14.2	45,500	3.68	8.2	29,000	2.56
4805254	215BNA048****A	CNPV*6024A**	925*A66120E24***	46,500	12.0	14.5	45,500	3.74	8.2	28,800	2.60
4838127	215BNA048****A	CNPV*6024A**	986*A48100V21***	46,000	11.8	14.2	46,000	3.68	8.0	29,200	2.56
4838128	215BNA048****A	CNPV*6024A**	986*A66120V24***	46,000	12.0	14.5	45,500	3.74	8.2	28,800	2.60
4805251	215BNA048****A	CNPV*6024A**	987*A60100V21***	45,500	11.8	14.2	45,000	3.66	8.0	28,600	2.56
4805252	215BNA048****A	CNPV*6024A**	987*A66120V24***	46,000	12.0	14.5	45,000	3.68	8.2	28,400	2.60
4194534	215BNA048****A	CNPV*6024A**	OVLAAB060154	47,000	12.0	14.0	46,500	3.80	8.2	29,600	2.62
3647309	215BNA048****A	CNPV*6024A**+TDR		46,500	11.5	13.5	46,500	3.72	8.0	29,800	2.56
3647147	215BNA048****A	CNPV*6124A**	313*AV060135	47,000	12.5	15.0	45,500	3.86	8.5	29,000	2.66
3646535	215BNA048****A	CNPV*6124A**	315(A,J)AV060110	46,500	12.2	14.5	45,500	3.82	8.2	28,800	2.64
3646572	215BNA048****A	CNPV*6124A**	315(A,J)AV066135	47,000	12.5	15.0	45,500	3.84	8.3	28,600	2.66
3646610	215BNA048****A	CNPV*6124A**	315(A,J)AV066155	47,000	12.5	15.0	45,500	3.88	8.5	28,600	2.68
3646822	215BNA048****A	CNPV*6124A**	353(A,B)AV060120	47,000	12.5	15.0	45,500	3.90	8.5	28,800	2.68
3646959	215BNA048****A	CNPV*6124A**	355(A,C)AV060100	46,500	12.0	14.5	46,000	3.78	8.3	29,200	2.62
3646991	215BNA048****A	CNPV*6124A**	355(A,C)AV060120	46,500	12.0	14.5	45,500	3.80	8.3	28,800	2.64

See notes on page 39

COMBINATION RATINGS CONTINUED

AHRI Ref. No.	Model Number	Coil Model Number	Furnace Model Number	Cooling Capacity	EER	SEER	High Temp		HSPF	Low Temp	
							E Capacity	E COP		H Capacity	H COP
3647216	215BNA048****A	CNPV*6124A**	355BAV060100	46,500	12.0	14.5	46,000	3.78	8.3	29,200	2.62
3647227	215BNA048****A	CNPV*6124A**	355BAV060120	46,500	12.0	14.5	45,500	3.80	8.3	28,800	2.64
4194532	215BNA048****A	CNPV*6124A**	359BAV060080	47,000	12.0	14.5	46,500	3.82	8.2	29,400	2.62
4149772	215BNA048****A	CNPV*6124A**	359BAV060100	47,000	12.2	14.5	46,000	3.82	8.2	29,200	2.64
3756460	215BNA048****A	CNPV*6124A**	359BAV060100 (DWNFLW ONLY)	47,000	12.2	14.5	46,000	3.82	8.2	29,200	2.64
4805257	215BNA048****A	CNPV*6124A**	925*A48100E21***	46,500	12.0	14.5	46,000	3.76	8.2	29,200	2.60
4805258	215BNA048****A	CNPV*6124A**	925*A66120E24***	47,000	12.0	14.5	46,000	3.84	8.2	29,000	2.64
4838129	215BNA048****A	CNPV*6124A**	986*A48100V21***	46,500	12.0	14.5	45,500	3.74	8.2	28,800	2.60
4838130	215BNA048****A	CNPV*6124A**	986*A66120V24***	46,500	12.5	15.0	45,000	3.80	8.2	28,400	2.64
4805255	215BNA048****A	CNPV*6124A**	987*A60100V21***	46,500	12.0	14.5	45,500	3.74	8.2	28,800	2.60
4805256	215BNA048****A	CNPV*6124A**	987*A66120V24***	46,500	12.5	15.0	45,000	3.78	8.5	28,400	2.62
4194535	215BNA048****A	CNPV*6124A**	OVLAA048112	46,500	11.5	14.0	46,500	3.74	8.2	29,600	2.58
4194536	215BNA048****A	CNPV*6124A**	OVLAA060154	48,000	12.0	14.5	47,000	3.92	8.5	29,800	2.66
3647311	215BNA048****A	CNPV*6124A**+TDR		47,000	11.5	14.0	47,000	3.80	8.2	30,000	2.60
3647099	215BNA048****A	CSPH*4812A**	313*AV048090	46,000	12.0	14.0	45,500	3.72	8.0	28,800	2.58
3647127	215BNA048****A	CSPH*4812A**	313*AV060110	46,000	12.0	14.5	45,000	3.74	8.0	28,600	2.60
3647151	215BNA048****A	CSPH*4812A**	313*AV060135	45,500	12.0	14.0	45,500	3.72	8.0	28,600	2.60
3646505	215BNA048****A	CSPH*4812A**	315(A,J)AV048090	45,500	12.0	14.0	45,500	3.68	7.9	28,800	2.56
3646544	215BNA048****A	CSPH*4812A**	315(A,J)AV060110	45,500	12.0	14.0	45,500	3.70	7.9	28,800	2.58
3646582	215BNA048****A	CSPH*4812A**	315(A,J)AV066135	46,000	12.0	14.5	45,000	3.72	8.0	28,600	2.60
3646620	215BNA048****A	CSPH*4812A**	315(A,J)AV066155	46,000	12.0	14.5	45,000	3.76	8.0	28,600	2.62
3646774	215BNA048****A	CSPH*4812A**	353(A,B)AV048080	46,000	11.5	14.0	46,000	3.70	7.9	29,200	2.56
3646802	215BNA048****A	CSPH*4812A**	353(A,B)AV060100	46,000	12.0	14.5	45,500	3.74	8.0	28,600	2.60
3646826	215BNA048****A	CSPH*4812A**	353(A,B)AV060120	46,000	12.0	14.5	45,500	3.76	8.1	28,600	2.62
3646932	215BNA048****A	CSPH*4812A**	355(A,C)AV060080	45,500	11.5	14.0	45,500	3.64	7.8	28,800	2.54
3646968	215BNA048****A	CSPH*4812A**	355(A,C)AV060100	45,500	11.5	13.5	45,500	3.68	7.9	29,000	2.56
3647001	215BNA048****A	CSPH*4812A**	355(A,C)AV060120	45,500	12.0	14.0	45,500	3.70	7.9	28,800	2.58
3756467	215BNA048****A	CSPH*4812A**	359BAV060080	45,500	11.5	13.5	46,000	3.70	8.0	29,200	2.56
3756468	215BNA048****A	CSPH*4812A**	359BAV060100	45,500	12.0	14.0	45,500	3.70	8.0	29,000	2.56
3829951	215BNA048****A	CSPH*4812A**	368RAN060120	45,500	12.0	14.5	45,500	3.70	8.0	28,600	2.58
3829950	215BNA048****A	CSPH*4812A**	374RAN060120	45,500	12.0	14.0	45,500	3.68	8.0	28,800	2.56
4805276	215BNA048****A	CSPH*4812A**	925*A48080E17***	45,500	11.4	13.7	46,000	3.60	8.0	29,200	2.52
4805277	215BNA048****A	CSPH*4812A**	925*A48100E21***	45,500	11.5	14.0	45,500	3.64	8.0	29,000	2.54
4805278	215BNA048****A	CSPH*4812A**	925*A66120E24***	46,000	11.8	14.2	45,500	3.70	8.0	28,800	2.58
4838140	215BNA048****A	CSPH*4812A**	986*A48080V17***	45,500	11.4	13.7	46,000	3.62	8.0	29,200	2.52
4838141	215BNA048****A	CSPH*4812A**	986*A48100V21***	45,500	11.5	14.0	46,000	3.66	8.0	29,200	2.54
4838142	215BNA048****A	CSPH*4812A**	986*A66120V24***	45,500	11.8	14.2	45,500	3.70	8.0	28,800	2.58
4805274	215BNA048****A	CSPH*4812A**	987*A60100V21***	45,500	11.5	14.0	45,500	3.64	8.0	28,800	2.54
4805275	215BNA048****A	CSPH*4812A**	987*A66120V24***	45,500	11.8	14.2	45,000	3.66	8.0	28,400	2.56
4194540	215BNA048****A	CSPH*4812A**	OVLAA060154	46,500	11.5	14.0	46,500	3.78	8.2	29,800	2.58
3647322	215BNA048****A	CSPH*4812A**+TDR		45,500	11.5	13.5	46,500	3.72	7.9	29,800	2.56
3647100	215BNA048****A	CSPH*6012A**	313*AV048090	46,500	12.0	14.5	45,500	3.80	8.1	29,000	2.62
3647128	215BNA048****A	CSPH*6012A**	313*AV060110	46,500	12.5	15.0	45,500	3.82	8.1	28,600	2.66
3647152	215BNA048****A	CSPH*6012A**	313*AV060135	46,500	12.0	14.5	45,500	3.82	8.1	28,800	2.64
3646506	215BNA048****A	CSPH*6012A**	315(A,J)AV048090	46,500	12.0	14.5	45,500	3.74	8.0	28,800	2.60
3646545	215BNA048****A	CSPH*6012A**	315(A,J)AV060110	46,500	12.0	14.5	45,500	3.76	8.0	28,800	2.62
3646583	215BNA048****A	CSPH*6012A**	315(A,J)AV066135	46,500	12.5	14.5	45,000	3.80	8.1	28,600	2.64
3646621	215BNA048****A	CSPH*6012A**	315(A,J)AV066155	46,500	12.5	15.0	45,000	3.82	8.2	28,600	2.66
3646775	215BNA048****A	CSPH*6012A**	353(A,B)AV048080	46,500	12.0	14.0	46,000	3.76	8.1	29,200	2.60
3646803	215BNA048****A	CSPH*6012A**	353(A,B)AV060100	47,000	12.0	14.5	45,500	3.82	8.2	28,800	2.64
3646827	215BNA048****A	CSPH*6012A**	353(A,B)AV060120	47,000	12.5	15.0	45,500	3.84	8.2	28,800	2.66
3646933	215BNA048****A	CSPH*6012A**	355(A,C)AV060080	46,000	12.0	14.5	45,500	3.70	7.9	28,800	2.58
3646969	215BNA048****A	CSPH*6012A**	355(A,C)AV060100	46,500	12.0	14.0	45,500	3.74	8.0	29,000	2.60
3647002	215BNA048****A	CSPH*6012A**	355(A,C)AV060120	46,500	12.0	14.5	45,500	3.76	8.0	28,800	2.62
3756469	215BNA048****A	CSPH*6012A**	359BAV060080	46,500	12.0	14.0	45,500	3.78	8.1	29,400	2.60
3756470	215BNA048****A	CSPH*6012A**	359BAV060100	46,500	12.0	14.0	45,500	3.78	8.1	29,200	2.62
3829953	215BNA048****A	CSPH*6012A**	368RAN060120	46,500	12.0	14.5	45,500	3.76	8.2	28,600	2.62
3829952	215BNA048****A	CSPH*6012A**	374RAN060120	46,500	12.0	14.5	45,500	3.74	8.2	28,800	2.60
4805281	215BNA048****A	CSPH*6012A**	925*A48080E17***	46,000	11.5	14.0	46,000	3.66	8.0	29,200	2.54
4805282	215BNA048****A	CSPH*6012A**	925*A48100E21***	46,500	11.8	14.2	46,000	3.72	8.2	29,000	2.58
4805283	215BNA048****A	CSPH*6012A**	925*A66120E24***	46,500	12.0	14.5	45,500	3.80	8.2	29,000	2.62
4838143	215BNA048****A	CSPH*6012A**	986*A48080V17***	46,000	11.5	14.0	46,000	3.68	8.0	29,400	2.56
4838144	215BNA048****A	CSPH*6012A**	986*A48100V21***	46,500	11.8	14.2	46,000	3.72	8.2	29,200	2.58
4838145	215BNA048****A	CSPH*6012A**	986*A66120V24***	46,500	12.0	14.5	45,500	3.78	8.2	28,800	2.62
4805279	215BNA048****A	CSPH*6012A**	987*A60100V21***	46,000	12.0	14.5	45,500	3.68	8.0	28,800	2.58
4805280	215BNA048****A	CSPH*6012A**	987*A66120V24***	46,000	12.0	14.5	45,000	3.72	8.2	28,400	2.60
4194541	215BNA048****A	CSPH*6012A**	OVLAA048112	46,500	11.5	14.0	46,000	3.70	8.0	29,400	2.56
4194542	215BNA048****A	CSPH*6012A**	OVLAA060154	47,500	12.0	14.5	46,500	3.86	8.5	29,600	2.64
3647323	215BNA048****A	CSPH*6012A**+TDR		46,500	11.5	13.5	46,500	3.76	8.1	29,800	2.58
3829935	215BNA048****A	FB4CNF048		46,000	11.5	13.0	45,500	3.68	8.0	29,200	2.56
3692799	215BNA048****A	FB4CNF048+TXV		46,000	11.5	14.0	46,000	3.68	8.0	29,200	2.56
3829936	215BNA048****A	FB4CNF060		47,000	12.0	14.5	46,000	3.80	8.4	29,200	2.62
3647332	215BNA048****A	FE4AN(B,F)005+UI		46,500	12.5	15.0	45,000	3.76	8.1	28,400	2.64
3647335	215BNA048****A	FE4ANB006+UI		47,000	12.5	15.5	45,500	3.90	8.3	28,400	2.70
3647379	215BNA048****A	FV4CN(B,F)005		46,500	12.5	15.0	45,000	3.76	8.1	28,400	2.64
3647382	215BNA048****A	FV4CNB006		47,000	12.5	15.5	45,500	3.90	8.5	28,400	2.70
3647409	215BNA048****A	FX4DN(B,F)061		48,000	12.5	15.0	46,000	3.96	8.5	29,200	2.70
3647427	215BNA048****A	FY5BNB060		47,000	11.5	13.5	47,000	3.74	8.2	30,000	2.56

See notes on page 39

215B

COMBINATION RATINGS CONTINUED

AHRI Ref. No.	Model Number	Coil Model Number	Furnace Model Number	Cooling Capacity	EER	SEER	High Temp		HSPF	Low Temp	
							E Capacity	E COP		H Capacity	H COP
3829937	215BNA048****A	FY5BNF048		47,000	11.5	13.0	46,000	3.76	8.2	29,400	2.60
3692788	215BNA048****A	FY5BNF048+TXV		46,500	12.0	14.0	46,000	3.74	8.2	29,400	2.60
4843470	215BNA060****A	†FX4DN(B,F)061		57,000	12.5	15.0	57,000	3.86	8.7	35,400	2.72
4838930	215BNA060****A	CAP**6024A**	986*A66120V24***	55,500	11.5	13.7	57,500	3.66	8.2	36,200	2.60
4838931	215BNA060****A	CAP**6025A**	986*A66120V24***	55,500	11.5	13.7	57,500	3.66	8.2	36,200	2.60
4838934	215BNA060****A	CNPH*6024A**	986*A66120V24***	55,500	11.5	13.7	57,500	3.66	8.2	36,000	2.60
4838935	215BNA060****A	CNPH*6124A**	986*A66120V24***	55,500	11.7	14.0	57,000	3.70	8.2	35,400	2.62
4838932	215BNA060****A	CNPV*6024A**	986*A66120V24***	55,500	11.5	13.7	57,500	3.66	8.2	36,000	2.60
4838933	215BNA060****A	CNPV*6124A**	986*A66120V24***	56,000	11.7	14.0	57,000	3.76	8.2	35,600	2.64
4838936	215BNA060****A	CSPH*6012A**	986*A66120V24***	56,000	11.5	13.7	57,500	3.72	8.2	36,200	2.62
3647107	215BNA060****A	CAP**6021A**	313*AV060110	55,500	12.0	14.0	56,500	3.72	8.2	35,600	2.64
3646514	215BNA060****A	CAP**6021A**	315(A,J)AV060110	55,500	11.5	13.5	56,500	3.66	8.1	35,800	2.60
3646783	215BNA060****A	CAP**6021A**	353(A,B)AV060100	55,500	12.0	14.0	56,500	3.68	8.1	35,400	2.62
4805284	215BNA060****A	CAP**6021A**	987*A60100V21***	55,000	11.4	13.7	57,500	3.58	8.0	36,000	2.56
3647259	215BNA060****A	CAP**6021A**+TDR		55,500	11.5	13.5	56,500	3.68	8.1	36,000	2.60
3647134	215BNA060****A	CAP**6024A**	313*AV060135	55,500	12.0	14.0	56,500	3.68	8.2	35,600	2.62
3646552	215BNA060****A	CAP**6024A**	315(A,J)AV066135	55,500	12.0	14.0	56,500	3.72	8.4	35,600	2.64
3646590	215BNA060****A	CAP**6024A**	315(A,J)AV066155	56,000	12.0	14.5	56,500	3.76	8.3	35,400	2.66
3646809	215BNA060****A	CAP**6024A**	353(A,B)AV060120	55,500	12.0	14.0	56,500	3.72	8.3	35,200	2.64
4805287	215BNA060****A	CAP**6024A**	925*A66120E24***	55,500	11.8	14.2	57,000	3.66	8.2	35,600	2.60
4805285	215BNA060****A	CAP**6024A**	987*A60100V21***	55,000	11.4	13.7	57,500	3.60	8.0	36,000	2.56
4805286	215BNA060****A	CAP**6024A**	987*A66120V24***	55,500	11.8	14.2	57,000	3.66	8.2	35,600	2.60
3647261	215BNA060****A	CAP**6024A**+TDR		55,500	11.5	13.5	56,500	3.68	8.2	36,000	2.60
3646634	215BNA060****A	CAP**6025A**	359BAV060100	55,500	11.5	13.5	58,000	3.64	8.1	36,400	2.58
4805290	215BNA060****A	CAP**6025A**	925*A66120E24***	55,500	11.8	14.2	57,000	3.66	8.2	35,600	2.60
4805288	215BNA060****A	CAP**6025A**	987*A60100V21***	55,000	11.4	13.7	57,500	3.60	8.0	36,000	2.56
4805289	215BNA060****A	CAP**6025A**	987*A66120V24***	55,500	11.8	14.2	57,000	3.66	8.2	35,600	2.60
3647263	215BNA060****A	CAP**6025A**+TDR		55,500	11.5	13.5	56,500	3.68	8.2	36,000	2.60
3647114	215BNA060****A	CNPH*6024A**	313*AV060110	55,500	12.0	14.0	56,500	3.72	8.2	35,400	2.64
3647139	215BNA060****A	CNPH*6024A**	313*AV060135	55,500	12.0	14.0	56,500	3.68	8.2	35,400	2.62
3646525	215BNA060****A	CNPH*6024A**	315(A,J)AV060110	55,500	11.5	14.0	56,500	3.68	8.1	35,800	2.62
3646563	215BNA060****A	CNPH*6024A**	315(A,J)AV066135	55,500	12.0	14.0	56,500	3.72	8.4	35,400	2.64
3646601	215BNA060****A	CNPH*6024A**	315(A,J)AV066155	56,000	12.0	14.5	56,500	3.74	8.3	35,400	2.66
3646758	215BNA060****A	CNPH*6024A**	353(A,B)AV048080	55,000	11.5	13.5	56,500	3.60	8.0	35,600	2.58
3646790	215BNA060****A	CNPH*6024A**	353(A,B)AV060100	55,500	12.0	14.0	56,500	3.68	8.1	35,400	2.62
3646814	215BNA060****A	CNPH*6024A**	353(A,B)AV060120	55,500	12.0	14.5	56,500	3.72	8.3	35,200	2.64
3756473	215BNA060****A	CNPH*6024A**	359BAV060080	55,500	11.2	13.0	58,000	3.62	8.0	36,800	2.56
3756474	215BNA060****A	CNPH*6024A**	359BAV060100	55,500	11.5	13.5	57,500	3.64	8.0	36,400	2.58
3829955	215BNA060****A	CNPH*6024A**	368RAN060120	55,500	11.5	14.0	57,500	3.68	8.2	35,800	2.60
4805299	215BNA060****A	CNPH*6024A**	925*A66120E24***	55,500	11.8	14.2	57,000	3.66	8.2	35,600	2.60
4805297	215BNA060****A	CNPH*6024A**	987*A60100V21***	55,000	11.4	13.7	57,000	3.58	8.0	35,800	2.56
4805298	215BNA060****A	CNPH*6024A**	987*A66120V24***	55,500	11.8	14.2	57,000	3.66	8.2	35,400	2.60
3647281	215BNA060****A	CNPH*6024A**+TDR		55,500	11.5	13.5	56,500	3.66	8.2	36,000	2.60
3647116	215BNA060****A	CNPH*6124A**	313*AV060110	56,000	12.0	14.0	56,500	3.76	8.2	35,600	2.66
3647141	215BNA060****A	CNPH*6124A**	313*AV060135	55,500	12.0	14.0	56,500	3.72	8.2	35,600	2.64
3646527	215BNA060****A	CNPH*6124A**	315(A,J)AV060110	56,000	11.5	14.0	56,500	3.72	8.2	36,000	2.62
3646565	215BNA060****A	CNPH*6124A**	315(A,J)AV066135	56,000	12.0	14.0	56,500	3.76	8.5	35,600	2.66
3646603	215BNA060****A	CNPH*6124A**	315(A,J)AV066155	56,000	12.0	14.5	56,500	3.80	8.5	35,600	2.68
3646792	215BNA060****A	CNPH*6124A**	353(A,B)AV060100	55,500	12.0	14.0	56,500	3.72	8.2	35,600	2.64
3646816	215BNA060****A	CNPH*6124A**	353(A,B)AV060120	56,000	12.0	14.5	56,500	3.76	8.3	35,400	2.66
3756475	215BNA060****A	CNPH*6124A**	359BAV060080	56,000	11.2	13.0	58,500	3.68	8.1	36,800	2.58
3756476	215BNA060****A	CNPH*6124A**	359BAV060100	55,500	11.5	13.5	58,000	3.68	8.1	36,400	2.60
4805302	215BNA060****A	CNPH*6124A**	925*A66120E24***	55,500	11.8	14.2	57,000	3.70	8.2	35,600	2.62
4805300	215BNA060****A	CNPH*6124A**	987*A60100V21***	55,000	11.4	13.7	57,500	3.62	8.0	36,000	2.56
4805301	215BNA060****A	CNPH*6124A**	987*A66120V24***	55,500	11.8	14.2	57,000	3.70	8.2	35,800	2.62
3647282	215BNA060****A	CNPH*6124A**+TDR		56,000	11.5	13.5	56,500	3.72	8.4	36,200	2.62
3647146	215BNA060****A	CNPV*6024A**	313*AV060135	55,500	12.0	14.0	56,500	3.68	8.2	35,400	2.62
3646571	215BNA060****A	CNPV*6024A**	315(A,J)AV066135	55,500	12.0	14.0	56,500	3.72	8.4	35,400	2.64
3646609	215BNA060****A	CNPV*6024A**	315(A,J)AV066155	56,000	12.0	14.5	56,500	3.74	8.3	35,400	2.66
3646821	215BNA060****A	CNPV*6024A**	353(A,B)AV060120	55,500	12.0	14.5	56,500	3.72	8.3	35,200	2.64
4149773	215BNA060****A	CNPV*6024A**	359BAV060100	55,500	11.5	13.5	57,500	3.64	8.0	36,400	2.58
3756471	215BNA060****A	CNPV*6024A**	359BAV060100 (DWNFLW ONLY)	55,500	11.5	13.5	57,500	3.64	8.0	36,400	2.58
4805293	215BNA060****A	CNPV*6024A**	925*A66120E24***	55,500	11.8	14.2	57,000	3.66	8.2	35,600	2.60
4805291	215BNA060****A	CNPV*6024A**	987*A60100V21***	55,000	11.4	13.7	57,000	3.58	8.0	35,800	2.56
4805292	215BNA060****A	CNPV*6024A**	987*A66120V24***	55,500	11.8	14.2	57,000	3.66	8.2	35,400	2.60
3647310	215BNA060****A	CNPV*6024A**+TDR		55,500	11.5	13.5	56,500	3.66	8.2	36,000	2.60
3647148	215BNA060****A	CNPV*6124A**	313*AV060135	56,500	12.0	14.5	56,500	3.78	8.5	35,600	2.66
3646573	215BNA060****A	CNPV*6124A**	315(A,J)AV066135	56,500	12.0	14.5	56,500	3.82	8.5	35,600	2.68
3646611	215BNA060****A	CNPV*6124A**	315(A,J)AV066155	56,500	12.0	14.5	56,500	3.84	8.5	35,600	2.70
3646823	215BNA060****A	CNPV*6124A**	353(A,B)AV060120	56,500	12.0	14.5	56,500	3.82	8.5	35,400	2.68
3646992	215BNA060****A	CNPV*6124A**	355(A,C)AV060120	56,000	11.8	14.0	56,500	3.74	8.3	36,000	2.64
3647228	215BNA060****A	CNPV*6124A**	355BAV060120	56,000	11.8	14.0	56,500	3.74	8.3	36,000	2.64
4149774	215BNA060****A	CNPV*6124A**	359BAV060100	56,500	11.5	13.5	58,000	3.74	8.2	36,600	2.62
3756472	215BNA060****A	CNPV*6124A**	359BAV060100 (DWNFLW ONLY)	56,500	11.5	13.5	58,000	3.74	8.2	36,600	2.62
4805296	215BNA060****A	CNPV*6124A**	925*A66120E24***	56,000	11.8	14.2	57,500	3.76	8.2	35,800	2.64
4805294	215BNA060****A	CNPV*6124A**	987*A60100V21***	55,500	11.5	14.0	57,500	3.68	8.2	36,000	2.60

See notes on page 39

COMBINATION RATINGS CONTINUED

AHRI Ref. No.	Model Number	Coil Model Number	Furnace Model Number	Cooling Capacity	EER	SEER	High Temp		HSPF	Low Temp	
							E Capacity	E COP		H Capacity	H COP
4805295	215BNA060****A	CNPV*6124A**	987*A66120V24***	56,000	11.8	14.2	57,000	3.76	8.2	35,600	2.64
3647312	215BNA060****A	CNPV*6124A**+TDR		56,500	11.5	14.0	56,500	3.76	8.4	36,200	2.64
3647129	215BNA060****A	CSPH*6012A**	313*AV060110	56,000	12.0	14.5	56,500	3.78	8.2	35,600	2.66
3647153	215BNA060****A	CSPH*6012A**	313*AV060135	56,000	12.0	14.0	56,500	3.74	8.2	35,600	2.64
3646546	215BNA060****A	CSPH*6012A**	315(A,J)AV060110	56,000	11.5	14.0	56,500	3.74	8.1	35,800	2.64
3646584	215BNA060****A	CSPH*6012A**	315(A,J)AV066135	56,000	12.0	14.5	56,500	3.76	8.4	35,600	2.66
3646622	215BNA060****A	CSPH*6012A**	315(A,J)AV066155	56,000	12.0	14.5	56,500	3.80	8.3	35,400	2.68
3646776	215BNA060****A	CSPH*6012A**	353(A,B)AV048080	55,500	11.5	14.0	56,500	3.66	8.0	35,600	2.60
3646804	215BNA060****A	CSPH*6012A**	353(A,B)AV060100	56,000	12.0	14.0	56,500	3.74	8.2	35,400	2.64
3646828	215BNA060****A	CSPH*6012A**	353(A,B)AV060120	56,000	12.0	14.5	56,500	3.78	8.3	35,400	2.66
3647003	215BNA060****A	CSPH*6012A**	355(A,C)AV060120	55,500	11.5	14.0	56,500	3.70	8.1	35,800	2.62
3756477	215BNA060****A	CSPH*6012A**	359BAV060080	55,500	11.2	13.0	58,000	3.68	8.0	36,800	2.58
3756478	215BNA060****A	CSPH*6012A**	359BAV060100	55,500	11.5	13.5	57,500	3.70	8.0	36,400	2.60
3829956	215BNA060****A	CSPH*6012A**	368RAN060120	56,000	11.5	14.0	57,500	3.72	8.2	36,000	2.62
4805305	215BNA060****A	CSPH*6012A**	925*A66120E24***	55,500	11.8	14.2	57,000	3.72	8.2	35,600	2.62
4805303	215BNA060****A	CSPH*6012A**	987*A60100V21***	55,500	11.4	13.7	57,500	3.64	8.0	36,000	2.58
4805304	215BNA060****A	CSPH*6012A**	987*A66120V24***	55,500	11.8	14.2	57,000	3.72	8.2	35,600	2.62
3647324	215BNA060****A	CSPH*6012A**+TDR		55,500	11.5	13.5	56,500	3.72	8.2	36,200	2.62
3829954	215BNA060****A	FB4CNF060		55,500	11.5	14.0	56,000	3.68	8.2	35,600	2.60
3647336	215BNA060****A	FE4ANB006+UI		56,500	12.5	14.5	56,000	3.86	8.5	35,400	2.72
3647383	215BNA060****A	FV4CNB006		56,500	12.5	14.5	56,000	3.86	8.5	35,400	2.72
3647428	215BNA060****A	FV5BNB060		56,000	11.5	13.5	58,000	3.68	8.2	36,400	2.58

* Ratings are net values reflecting the effects of circulating fan heat. Supplemental electric heat is not included. Ratings are based on:

Cooling Standard: 80°F (27°C) db 67°F (19°C) wb indoor entering air temperature and 95°F (35°C) db air entering outdoor unit.

High-Temp Heating Standard: 70°F (21°C) db indoor entering air temperature and 47°F (8°C) db 43°F (6°C) wb air entering outdoor unit.

Low-Temp Heating Standard: 70°F (21°C) db indoor entering air temperature and 17°F (-8°C) db 15°F (-9°C) wb air entering outdoor unit.

COP — Coefficient of Performance

EER — Energy Efficiency Ratio

HSPF — Heating Seasonal Performance Factor

SEER — Seasonal Energy Efficiency Ratio

TDR — Time-Delay Relay

UI — User Interface

NOTE: Ratings contained in this document are subject to change at any time. Always refer to the AHRI directory (www.ahridirectory.org) for the most up-to-date ratings information.

215B

DETAILED COOLING CAPACITIES#

EVAPORATOR AIR		CONDENSER ENTERING AIR TEMPERATURES ° F (° C)																	
CFM	EWB ° F (° C)	75 (23.9)			85 (29.4)			95 (35)			105 (40.6)			115 (46.1)			125 (51.7)		
		Capacity MBtuh	Total	Sens†	Capacity MBtuh	Total	Sens†	Capacity MBtuh	Total	Sens†	Capacity MBtuh	Total	Sens†	Capacity MBtuh	Total	Sens†	Capacity MBtuh	Total	Sens†
		215BNA018***A Outdoor Section With FX4DNF019 Indoor Section																	
525	72 (22.2)	21.38	11.10	1.10	20.34	10.70	1.25	19.25	10.28	1.42	18.10	9.85	1.60	16.88	9.40	1.80	15.59	8.93	2.03
	67 (19.4)	19.37	13.52	1.10	18.43	13.12	1.25	17.43	12.70	1.41	16.38	12.26	1.59	15.26	11.81	1.79	14.08	11.33	2.02
	63 (17.2)††	17.92	13.00	1.10	17.05	12.60	1.25	16.12	12.18	1.41	15.14	11.74	1.59	14.10	11.28	1.79	12.99	10.80	2.01
	62 (16.7)	17.54	15.88	1.10	16.69	15.47	1.25	15.79	15.04	1.41	14.85	14.58	1.59	13.91	13.91	1.78	13.03	13.03	2.01
	57 (13.9)	16.80	16.80	1.10	16.15	16.15	1.25	15.45	15.45	1.41	14.70	14.70	1.59	13.89	13.89	1.78	13.01	13.01	2.01
600	72 (22.2)	21.87	11.89	1.11	20.79	11.28	1.26	19.64	10.85	1.43	18.44	10.41	1.61	17.17	9.95	1.81	15.83	9.47	2.04
	67 (19.4)	19.84	14.44	1.11	18.85	14.03	1.26	17.80	13.60	1.42	16.70	13.15	1.60	15.54	12.69	1.80	14.31	12.20	2.03
	63 (17.2)††	18.37	13.86	1.11	17.45	13.45	1.26	16.48	13.02	1.42	15.45	12.57	1.60	14.37	12.10	1.80	13.22	11.61	2.02
	62 (16.7)	18.01	17.11	1.11	17.13	16.68	1.26	16.21	16.12	1.42	15.36	15.36	1.60	14.49	14.49	1.80	13.56	13.56	2.02
	57 (13.9)	17.61	17.61	1.11	16.90	16.90	1.26	16.15	16.15	1.42	15.34	15.34	1.60	14.47	14.47	1.80	13.54	13.54	2.02
675	72 (22.2)	22.26	12.24	1.12	21.13	11.82	1.27	19.94	11.39	1.44	18.70	10.94	1.62	17.39	10.48	1.82	16.02	10.00	2.05
	67 (19.4)	20.21	15.33	1.12	19.17	14.90	1.27	18.08	14.47	1.43	16.95	14.01	1.61	15.75	13.53	1.81	14.49	13.03	2.04
	63 (17.2)††	18.73	14.89	1.12	17.76	14.27	1.27	16.76	13.83	1.43	15.70	13.37	1.61	14.58	12.89	1.81	13.40	12.38	2.03
	62 (16.7)	18.42	18.24	1.12	17.56	17.56	1.27	16.76	16.76	1.43	15.90	15.90	1.61	14.98	14.98	1.81	14.00	14.00	2.04
	57 (13.9)	18.29	18.29	1.12	17.54	17.54	1.27	16.74	16.74	1.43	15.88	15.88	1.61	14.96	14.96	1.81	13.98	13.98	2.04

COOLING INDOOR MODEL	CAPACITY	POWER	FURNACE MODEL	COOLING INDOOR MODEL	CAPACITY	POWER	FURNACE MODEL	COOLING INDOOR MODEL	CAPACITY	POWER	FURNACE MODEL	COOLING INDOOR MODEL	CAPACITY	POWER	FURNACE MODEL
FX4DNF019	1.00	1.00		CNPV*2417A**	0.98	0.99	315(A,J)AV048080	CNPV*1917A**	0.99	1.04	925*A30040E14***	CNPV*2417A**	0.98	1.05	925*A30040E14***
FB4CNF018	0.99	1.00		CNPV*1917A**	0.99	1.00	315(A,J)AV048080	CNPV*2417A**	0.98	1.05	925*A30040E14***	CNPV*2417A**	0.98	1.05	925*A30040E14***
FB4CNF024	0.98	0.99		CSPH*2412A**	0.98	0.99	315(A,J)AV048080	CSPH*2412A**	0.98	1.06	986*A42060V17***	CAP**1814A**	0.97	1.06	986*A42060V17***
FE4ANF002	0.99	0.96		CAP**2417A**	1.01	0.98	355(A,B)AV036040	CAP**2417A**	1.01	1.06	986*A42060V17***	CAP**2417A**	0.99	1.06	986*A42060V17***
FF1ENP018	0.97	1.09		CNPV*2417A**	0.98	1.01	355(A,B)AV036040	CNPV*2417A**	0.98	1.07	986*A42060V17***	CAP**2417A**	0.99	1.06	986*A42060V17***
FF1ENP019	0.98	1.03		CNPV*2417A**	1.00	1.01	355(A,B)AV036040	CNPV*2417A**	0.99	1.06	986*A42060V17***	CAP**2417A**	0.99	1.06	986*A42060V17***
FF1ENP024	0.98	1.10		CNPV*1917A**	1.01	0.98	355(A,B)AV036040	CNPV*1917A**	1.01	1.07	986*A42060V17***	CAP**2417A**	0.99	1.06	986*A42060V17***
FF1ENP025	1.00	1.01		CNPV*2417A**	1.00	1.01	355(A,B)AV036040	CNPV*2417A**	0.98	1.07	986*A42060V17***	CAP**2417A**	0.99	1.06	986*A42060V17***
FV4BNF002	0.99	0.96		CSPH*2412A**	1.00	1.01	355(A,B)AV036040	CSPH*2412A**	1.00	1.06	986*A42060V17***	CNPV*1814A**	0.98	1.06	986*A42060V17***
FV4CNF002	0.99	0.96		CAP**2417A**	1.00	0.97	355(A,B)AV036060	CAP**2417A**	1.00	1.06	986*A42060V17***	CNPV*1917A**	0.99	1.06	986*A42060V17***
FV4CNF018	0.98	0.99		CNPV*2417A**	0.99	1.00	355(A,B)AV036060	CNPV*2417A**	0.99	1.06	986*A42060V17***	CNPV*2417A**	0.99	1.06	986*A42060V17***
FV4CNF024	0.99	1.00		CNPV*1917A**	1.01	0.98	355(A,B)AV036060	CNPV*1917A**	1.01	1.06	986*A42060V17***	CAP**2417A**	0.99	1.06	986*A42060V17***
FX4DNF025	1.01	1.01		CNPV*2417A**	0.99	1.00	355(A,B)AV036060	CNPV*2417A**	0.99	1.06	986*A42060V17***	CAP**2417A**	0.99	1.06	986*A42060V17***
FY4ANF018	0.97	1.09		CSPH*2412A**	0.99	1.00	355(A,B)AV036060	CSPH*2412A**	0.99	1.06	986*A42060V17***	CAP**2417A**	0.99	1.06	986*A42060V17***
FY4ANF024	0.97	1.09		CAP**2417A**	0.98	0.99	355(A,C)AV042060	CAP**2417A**	0.99	1.05	986*A42060V17***	CSPH*2412A**	1.01	1.02	986*A42060V17***
FY5BNF018	0.98	1.07		CNPV*2417A**	0.98	0.99	355(A,C)AV042060	CNPV*2417A**	0.98	1.02	986*A42060V17***	CNPV*2417A**	1.00	1.05	986*A42060V17***
FY5BNF024	0.98	1.07		CNPV*1917A**	0.98	0.99	355(A,C)AV042060	CNPV*1917A**	0.98	1.05	986*A42060V17***	CNPV*2417A**	1.00	1.05	986*A42060V17***
CAP**1814A**	0.97	1.09		CNPV*2417A**	0.98	0.99	355(A,C)AV042060	CNPV*2417A**	0.98	1.02	986*A42060V17***	CAP**2417A**	0.99	1.04	987*A42060V17***
CAP**2414A**	0.98	1.10		CSPH*2412A**	0.98	0.99	355(A,C)AV042060	CSPH*2412A**	0.98	1.02	986*A42060V17***	CAP**2417A**	0.99	1.04	987*A42060V17***
CAP**2417A**	0.98	1.10		CNPV*2417A**	0.97	0.98	355(A,C)AV042080	CNPV*2417A**	0.97	1.02	986*A42060V17***	CSPH*2412A**	1.01	1.05	987*A42060V17***
CNPV*2418A**	0.98	1.10		CSPH*2412A**	0.98	0.99	355(A,C)AV042080	CSPH*2412A**	0.98	1.02	986*A42060V17***	CNPV*1917A**	1.01	1.02	986*A42060V17***
CNPV*1814A**	0.97	1.09		CSPH*2412A**	0.98	0.99	355AAV042040	CSPH*2412A**	0.98	1.02	986*A42060V17***	CNPV*2417A**	1.01	1.02	986*A42060V17***
CNPV*1917A**	0.99	1.08		CAP**1814A**	0.98	1.03	313*A AV024045	CAP**1814A**	0.99	1.04	987*A42060V17***	CNPV*2417A**	0.99	1.04	987*A42060V17***
CNPV*2414A**	0.98	1.10		CAP**2414A**	0.99	1.00	313*A AV024045	CAP**2414A**	0.99	1.05	987*A42060V17***	CSPH*2412A**	1.00	1.04	987*A42060V17***
CNPV*2417A**	0.98	1.10		CNPV*2417A**	0.99	1.00	313*A AV024045	CNPV*2417A**	0.99	1.05	987*A42060V17***	CNPV*1917A**	1.00	1.05	987*A42060V17***
CSPH*2412A**	0.98	1.10		CNPV*1814A**	0.98	1.03	313*A AV024045	CNPV*1814A**	0.99	1.04	987*A42060V17***	CNPV*2417A**	0.99	1.04	987*A42060V17***
CAP**1814A**	0.97	1.01		CNPV*2414A**	0.99	1.00	313*A AV024045	CNPV*2414A**	0.99	1.04	987*A42060V17***	CNPV*2417A**	0.99	1.04	987*A42060V17***
CAP**2414A**	0.98	0.99		CSPH*2412A**	0.99	1.00	313*A AV024045	CSPH*2412A**	0.99	1.04	987*A42060V17***	CAP**2417A**	0.99	1.04	987*A42060V17***
CNPV*1814A**	0.97	1.01		CAP**2414A**	0.99	1.06	925*A30040E14***	CAP**2414A**	0.97	1.06	987*A42060V17***	CSPH*2412A**	0.99	1.04	987*A42060V17***
CNPV*2414A**	0.98	0.99		CAP**2417A**	0.99	1.04	925*A30040E14***	CAP**2417A**	0.99	1.06	987*A42060V17***	CNPV*1917A**	0.99	1.04	987*A42060V17***
CSPH*2412A**	0.98	0.99		CSPH*2412A**	0.99	1.06	925*A30040E14***	CSPH*2412A**	0.99	1.06	987*A42060V17***	CNPV*2417A**	0.99	1.04	987*A42060V17***
CAP**2417A**	0.98	0.99		CNPV*1814A**	0.97	1.04	925*A30040E14***	CNPV*1814A**	0.97	1.04	987*A42060V17***	CNPV*2417A**	0.99	1.04	987*A42060V17***

See note on pg. 15

DETAILED COOLING CAPACITIES# CONTINUED

EVAPORATOR AIR		CONDENSER ENTERING AIR TEMPERATURES °F (°C)																																																																																																																																																																																																																																																																																																																																																																																																																																																																																																																																																																																																																																																																																																																																																																																																																																																																																																																																																																																																																																																																																																													
		75 (23.9)				85 (29.4)				95 (35)				105 (40.6)				115 (46.1)				125 (51.7)																																																																																																																																																																																																																																																																																																																																																																																																																																																																																																																																																																																																																																																																																																																																																																																																																																																																																																																																																																																																																																																																																									
		Capacity MBtuh		Total System KW**		Capacity MBtuh		Total System KW**		Capacity MBtuh		Total System KW**		Capacity MBtuh		Total System KW**		Capacity MBtuh		Total System KW**		Capacity MBtuh		Total System KW**																																																																																																																																																																																																																																																																																																																																																																																																																																																																																																																																																																																																																																																																																																																																																																																																																																																																																																																																																																																																																																																																																							
CFM	EWB °F (°C)	Total	Sens†	Total	Sens†	Total	Sens†	Total	Sens†	Total	Sens†	Total	Sens†	Total	Sens†	Total	Sens†	Total	Sens†	Total	Sens†	Total	Sens†																																																																																																																																																																																																																																																																																																																																																																																																																																																																																																																																																																																																																																																																																																																																																																																																																																																																																																																																																																																																																																																																																								
215BNA024***A Outdoor Section With FX4DNF025 Indoor Section																																																																																																																																																																																																																																																																																																																																																																																																																																																																																																																																																																																																																																																																																																																																																																																																																																																																																																																																																																																																																																																																																																															
700		72 (22.2)	28.25	14.67	1.50	27.04	14.21	1.70	25.76	13.71	1.91	24.38	13.19	2.15	22.88	12.63	2.41	21.23	12.03	2.68	19.12	11.50	2.93	17.17	10.97	3.26	15.11	10.44	3.51	13.14	9.91	3.76	11.15	9.36	4.01	9.16	8.77	4.26	7.17	8.38	4.51	5.18	7.39	4.76	3.19	6.40	5.01	2.20	5.62	4.76	1.75	4.84	3.91	4.05	3.16	3.20	2.21	2.35	1.26	1.49	0.52	1.72	0.85	1.95	1.00	2.15	1.20	2.40	1.25	2.65	1.30	2.90	1.35	3.15	1.40	3.45	1.45	3.75	1.50	4.05	1.55	4.35	1.60	4.65	1.65	4.95	1.70	5.25	1.75	5.55	1.80	5.85	1.85	6.15	1.90	6.45	1.95	6.75	2.00	7.05	2.05	7.35	2.10	7.65	2.15	7.95	2.20	8.25	2.25	8.55	2.30	8.85	2.35	9.15	2.40	9.45	2.45	9.75	2.50	10.05	2.55	10.35	2.60	10.65	2.65	10.95	2.70	11.25	2.75	11.55	2.80	11.85	2.85	12.15	2.90	12.45	2.95	12.75	3.00	13.05	3.05	13.35	3.10	13.65	3.15	13.95	3.20	14.25	3.25	14.55	3.30	14.85	3.35	15.15	3.40	15.45	3.45	15.75	3.50	16.05	3.55	16.35	3.60	16.65	3.65	16.95	3.70	17.25	3.75	17.55	3.80	17.85	3.85	18.15	3.90	18.45	3.95	18.75	4.00	19.05	4.05	19.35	4.10	19.65	4.15	19.95	4.20	20.25	4.25	20.55	4.30	20.85	4.35	21.15	4.40	21.45	4.45	21.75	4.50	22.05	4.55	22.35	4.60	22.65	4.65	22.95	4.70	23.25	4.75	23.55	4.80	23.85	4.85	24.15	4.90	24.45	4.95	24.75	5.00	25.05	5.05	25.35	5.10	25.65	5.15	25.95	5.20	26.25	5.25	26.55	5.30	26.85	5.35	27.15	5.40	27.45	5.45	27.75	5.50	28.05	5.55	28.35	5.60	28.65	5.65	28.95	5.70	29.25	5.75	29.55	5.80	29.85	5.85	30.15	5.90	30.45	5.95	30.75	6.00	31.05	6.05	31.35	6.10	31.65	6.15	31.95	6.20	32.25	6.25	32.55	6.30	32.85	6.35	33.15	6.40	33.45	6.45	33.75	6.50	34.05	6.55	34.35	6.60	34.65	6.65	34.95	6.70	35.25	6.75	35.55	6.80	35.85	6.85	36.15	6.90	36.45	6.95	36.75	7.00	37.05	7.05	37.35	7.10	37.65	7.15	37.95	7.20	38.25	7.25	38.55	7.30	38.85	7.35	39.15	7.40	39.45	7.45	39.75	7.50	40.05	7.55	40.35	7.60	40.65	7.65	40.95	7.70	41.25	7.75	41.55	7.80	41.85	7.85	42.15	7.90	42.45	7.95	42.75	8.00	43.05	8.05	43.35	8.10	43.65	8.15	43.95	8.20	44.25	8.25	44.55	8.30	44.85	8.35	45.15	8.40	45.45	8.45	45.75	8.50	46.05	8.55	46.35	8.60	46.65	8.65	46.95	8.70	47.25	8.75	47.55	8.80	47.85	8.85	48.15	8.90	48.45	8.95	48.75	9.00	49.05	9.05	49.35	9.10	49.65	9.15	49.95	9.20	50.25	9.25	50.55	9.30	50.85	9.35	51.15	9.40	51.45	9.45	51.75	9.50	52.05	9.55	52.35	9.60	52.65	9.65	52.95	9.70	53.25	9.75	53.55	9.80	53.85	9.85	54.15	9.90	54.45	9.95	54.75	10.00	55.05	10.05	55.35	10.10	55.65	10.15	55.95	10.20	56.25	10.25	56.55	10.30	56.85	10.35	57.15	10.40	57.45	10.45	57.75	10.50	58.05	10.55	58.35	10.60	58.65	10.65	58.95	10.70	59.25	10.75	59.55	10.80	59.85	10.85	60.15	10.90	60.45	10.95	60.75	11.00	61.05	11.05	61.35	11.10	61.65	11.15	61.95	11.20	62.25	11.25	62.55	11.30	62.85	11.35	63.15	11.40	63.45	11.45	63.75	11.50	64.05	11.55	64.35	11.60	64.65	11.65	64.95	11.70	65.25	11.75	65.55	11.80	65.85	11.85	66.15	11.90	66.45	11.95	66.75	12.00	67.05	12.05	67.35	12.10	67.65	12.15	67.95	12.20	68.25	12.25	68.55	12.30	68.85	12.35	69.15	12.40	69.45	12.45	69.75	12.50	70.05	12.55	70.35	12.60	70.65	12.65	70.95	12.70	71.25	12.75	71.55	12.80	71.85	12.85	72.15	12.90	72.45	12.95	72.75	13.00	73.05	13.05	73.35	13.10	73.65	13.15	73.95	13.20	74.25	13.25	74.55	13.30	74.85	13.35	75.15	13.40	75.45	13.45	75.75	13.50	76.05	13.55	76.35	13.60	76.65	13.65	76.95	13.70	77.25	13.75	77.55	13.80	77.85	13.85	78.15	13.90	78.45	13.95	78.75	14.00	79.05	14.05	79.35	14.10	79.65	14.15	79.95	14.20	80.25	14.25	80.55	14.30	80.85	14.35	81.15	14.40	81.45	14.45	81.75	14.50	82.05	14.55	82.35	14.60	82.65	14.65	82.95	14.70	83.25	14.75	83.55	14.80	83.85	14.85	84.15	14.90	84.45	14.95	84.75	15.00	85.05	15.05	85.35	15.10	85.65	15.15	85.95	15.20	86.25	15.25	86.55	15.30	86.85	15.35	87.15	15.40	87.45	15.45	87.75	15.50	88.05	15.55	88.35	15.60	88.65	15.65	88.95	15.70	89.25	15.75	89.55	15.80	89.85	15.85	90.15	15.90	90.45	15.95	90.75	16.00	91.05	16.05	91.35	16.10	91.65	16.15	91.95	16.20	92.25	16.25	92.55	16.30	92.85	16.35	93.15	16.40	93.45	16.45	93.75	16.50	94.05	16.55	94.35	16.60	94.65	16.65	94.95	16.70	95.25	16.75	95.55	16.80	95.85	16.85	96.15	16.90	96.45	16.95	96.75	17.00	97.05	17.05	97.35	17.10	97.65	17.15	97.95	17.20	98.25	17.25	98.55	17.30	98.85	17.35	99.15	17.40	99.45	17.45	99.75	17.50	100.05	17.55	100.35	17.60	100.65	17.65	100.95	17.70	101.25	17.75	101.55	17.80	101.85	17.85	102.15	17.90	102.45	17.95	102.75	18.00	103.05	18.05	103.35	18.10	103.65	18.15	103.95	18.20	104.25	18.25	104.55	18.30	104.85	18.35	105.15	18.40	105.45	18.45	105.75	18.50	106.05	18.55	106.35	18.60	106.65	18.65	106.95	18.70	107.25	18.75	107.55	18.80	107.85	18.85	108.15	18.90	108.45	18.95	108.75	19.00	109.05	19.05	109.35	19.10	109.65	19.15	109.95	19.20	110.25	19.25	110.55	19.30	110.85	19.35	111.15	19.40	111.45	19.45	111.75	19.50	112.05	19.55	112.35	19.60	112.65	19.65	112.95	19.70	113.25	19.75	113.55	19.80	113.85	19.85	114.15	19.90	114.45	19.95	114.75	20.00	115.05	20.05	115.35	20.10	115.65	20.15	115.95	20.20	116.25	20.25	116.55	20.30	116.85	20.35	117.15	20.40	117.45	20.45	117.75	20.50	118.05	20.55	118.35	20.60	118.65	20.65	118.95	20.70	119.25	20.75	119.55	20.80	119.85	20.85	120.15	20.90	120.45	20.95	120.75	21.00	121.05	21.05	121.35	21.10	121.65	21.15	121.95	21.20	122.25	21.25	122.55	21.30	122.85	21.35	123.15	21.40	123.45	21.45	123.75	21.50	124.05	21.55	124.35	21.60	124.65	21.65	124.95	21.70	125.25	21.75	125.55	21.80	125.85	21.85	126.15	21.90	126.45	21.95	126.75	22.00	127.05	22.05	127.35	22.10	127.65	22.15	127.95	22.20	128.25	22.25	128.55	22.30	128.85	22.35	129.15	22.40	129.45	22.45	129.75	22.50	130.05	22.55	130.35	22.60	130.65	22.65	130.95	22.70	131.25	22.75	131.55	22.80	131.85	22.85	132.15	22.90	132.45	22.95	132.75	23.00	133.05	23.05	133.35	23.10	133.65	23.15	133.95	23.20	134.25	23.25	134.55	23.30	134.85	23.35	135.15	23.40	135.45	23.45	135.75	23.50	136.05	23.55	136.35	23.60	136.65	23.65	136.95	23.70	137.25	23.75	137.55	23.80	137.85	23.85	138.15	23.90	138.45	23.95	138.75	24.00	139.05	24.05	139.35	24.10	139.65	24.15	139.95	24.20	140.25	24.25	140.55	24.30	140.85	24.35	141.15	24.40	141.45	24.45	141.75	24.50	142.05	24.55	142.35	24.60	142.65	24.65	142.95	24.70	143.25	24.75	143.55	24.80	143.85	24.85	144.15	24.90	144.45	24.95	144.75	25.00	145.05	25.05	145.35	25.10	145.65	25.15	145.95	25.20	146.25	25.25	146.55	25.30	146.85	25.35	147.15	25.40	147.45	25.45	147.75	25.50	148.05	25.55	148.35	25.60	148.65	25.65	148.95	25.70	149.25	25.75	149.55	25.80	149.85	25.85	150.15	25.90	150.45	25.95	150.75	26.00	151.05	26.05	151.35	26.10	151.65	26.15	151.95	26.20	152.25	26.25	152.55	26.30

DETAILED COOLING CAPACITIES# CONTINUED

215BNA024***A Outdoor Section With FX4DNF025 Indoor Section

COOLING INDOOR MODEL	CAPACITY	POWER	FURNACE MODEL	COOLING INDOOR MODEL	CAPACITY	POWER	FURNACE MODEL
CNPH*2417A**	0.98	0.98	355(A,C)AV042080	CAP**3014A**	0.98	1.03	986*A30040V14***
CNPH*3017A**	0.98	0.98	355(A,C)AV042080	CNPH*3017A**	0.98	0.99	986*A30040V14***
CSPH*2412A**	0.98	0.98	355(A,C)AV042080	CSPH*2412A**	0.98	1.03	986*A30040V14***
CSPH*3012A**	0.98	0.98	355(A,C)AV042080	CSPH*3012A**	0.98	1.03	986*A30040V14***
CNPH*2417A**	0.97	0.97	355(A,C)AV060080	CNPV*2414A**	0.97	1.03	986*A30040V14***
CNPH*3017A**	0.98	0.98	355(A,C)AV060080	CNPV*2417A**	0.97	1.03	986*A30040V14***
CSPH*2412A**	0.98	0.98	355(A,C)AV060080	CNPH*2417A**	0.98	1.03	986*A30040V14***
CSPH*3012A**	0.98	0.98	355(A,C)AV060080	CNPH*3017A**	0.98	1.03	986*A30040V14***
CNPH*2417A**	0.98	0.98	355(A,C)AV060100	CNPV*3117A**	1.00	1.04	986*A30040V14***
CNPH*3017A**	0.98	0.98	355(A,C)AV060100	CNPH*3117A**	0.97	1.03	986*A30040V14***
CSPH*2412A**	0.98	0.98	355(A,C)AV060100	CSPH*2417A**	0.98	1.03	986*A30040V14***
CSPH*3012A**	0.98	0.98	355(A,C)AV060100	CSPH*3017A**	0.98	1.03	986*A30040V14***
CNPH*2417A**	0.98	0.98	355(A,C)AV060120	CNPV*2417A**	0.99	0.99	986*A42060V17***
CNPH*3017A**	0.98	0.98	355(A,C)AV060120	CNPH*2412A**	0.98	0.99	986*A42060V17***
CSPH*2412A**	0.98	0.98	355(A,C)AV060120	CSPH*3012A**	0.98	0.99	986*A42060V17***
CSPH*3012A**	0.98	0.98	355(A,C)AV060120	CSPH*3012A**	0.98	0.99	986*A42060V17***
CAP**2414A**	0.98	0.98	313*AV024045	CNPH*2417A**	0.98	0.99	986*A42060V17***
CAP**3014A**	0.98	0.98	313*AV024045	CNPH*3017A**	0.98	0.99	986*A42060V17***
CNPH*2417A**	0.98	1.02	313*AV024045	CNPV*3117A**	1.00	0.99	986*A42060V17***
CNPH*3017A**	0.98	0.98	313*AV024045	CAP**2417A**	0.98	0.98	986*A42060V17***
CNPV*2414A**	0.98	0.98	313*AV024045	CSPH*2417A**	0.98	0.98	986*A42060V17***
CNPV*3014A**	0.98	0.98	313*AV024045	CSPH*3017A**	0.98	0.98	986*A42060V17***
CSPH*2412A**	0.99	0.98	313*AV024045	CNPV*2417A**	0.98	0.98	986*A42060V17***
CSPH*3012A**	0.98	0.98	313*AV024045	CNPV*3017A**	0.98	0.98	986*A42060V17***
CNPH*2414A**	0.98	1.07	925*A30040E14***	CNPV*3117A**	1.00	0.98	986*A42060V17***
CNPH*2417A**	0.98	1.07	925*A30040E14***	CNPH*3117A**	0.97	0.97	986*A42060V17***
CAP**3014A**	0.98	1.08	925*A30040E14***	CSPH*2417A**	0.97	0.97	986*A42060V17***
CAP**3017A**	1.00	1.07	925*A30040E14***	CSPH*3017A**	0.97	0.97	986*A42060V17***
CSPH*2412A**	0.99	1.08	925*A30040E14***	CNPV*2417A**	0.99	0.98	986*A42060V17***
CSPH*3012A**	1.00	1.06	925*A30040E14***	CNPV*3017A**	0.99	0.98	986*A42060V17***
CNPV*2414A**	0.98	1.07	925*A30040E14***	CNPH*2417A**	0.98	0.98	986*A42060V17***
CNPV*2417A**	0.98	1.07	925*A30040E14***	CNPH*3017A**	0.98	0.98	986*A42060V17***
CNPV*3014A**	0.99	1.08	925*A30040E14***	CNPV*3117A**	1.00	0.96	986*A42060V17***
CNPV*3017A**	1.00	1.07	925*A30040E14***	CAP**2417A**	0.98	0.98	986*A42060V17***
CNPV*3117A**	1.00	1.05	925*A30040E14***	CAP**3017A**	0.98	0.98	986*A42060V17***
CNPH*2417A**	0.98	1.07	925*A30040E14***	CSPH*2412A**	0.98	1.00	986*A42060V17***
CNPH*3017A**	1.00	1.07	925*A30040E14***	CSPH*2417A**	0.98	1.00	986*A42060V17***
CAP**2417A**	0.98	0.98	925*A42060E17***	CSPH*3012A**	0.98	0.98	986*A42060V17***
CAP**3017A**	0.98	0.98	925*A42060E17***	CSPH*3012A**	0.98	0.98	986*A42060V17***
CSPH*2412A**	0.98	0.98	925*A42060E17***	CNPV*2417A**	0.98	0.98	986*A42060V17***
CSPH*2417A**	0.98	0.98	925*A42060E17***	CNPV*3017A**	0.98	0.98	986*A42060V17***
CSPH*3012A**	0.99	0.98	925*A42060E17***	CNPH*2417A**	0.98	0.98	986*A42060V17***
CNPV*2417A**	0.98	0.98	925*A42060E17***	CNPH*3017A**	0.98	0.98	986*A42060V17***
CNPV*3017A**	0.99	0.98	925*A42060E17***	CNPV*3117A**	1.00	0.98	986*A42060V17***
CNPV*3117A**	1.00	0.98	925*A42060E17***	CAP**2417A**	0.98	0.98	986*A42060V17***
CNPH*2417A**	0.98	0.98	925*A42060E17***	CAP**3017A**	0.98	0.98	986*A42060V17***
CNPH*3017A**	0.98	0.98	925*A42060E17***				
CAP**2414A**	0.98	1.03	986*A30040V14***				
CAP**2417A**	0.98	1.03	986*A30040V14***				

COOLING INDOOR MODEL	CAPACITY	POWER	FURNACE MODEL
CSPH*2412A**	0.98	0.98	987*A42080V17***
CSPH*3012A**	0.99	0.98	987*A42080V17***
CNPV*2417A**	0.98	0.98	987*A42080V17***
CNPV*3017A**	0.98	0.98	987*A42080V17***
CNPH*2417A**	1.00	0.98	987*A42080V17***
CNPH*3117A**	0.98	0.98	987*A42080V17***
CNPH*3017A**	0.98	0.98	987*A42080V17***
CNPH*3117A**	1.00	0.98	987*A42080V17***
CSPH*2412A**	1.00	1.00	987*A60100V21***
CSPH*3012A**	1.00	1.00	987*A60100V21***
CNPH*2417A**	0.99	1.00	987*A60100V21***
CNPH*3017A**	1.00	0.99	987*A60100V21***
CNPH*3117A**	1.00	0.98	987*A60100V21***
CSPH*2412A**	1.00	1.00	987*A66120V24***
CSPH*3012A**	1.00	0.98	987*A66120V24***
CNPH*2417A**	0.98	0.98	987*A66120V24***
CNPH*3017A**	1.00	0.98	987*A66120V24***
CNPH*3117A**	1.00	0.98	987*A66120V24***

See note on pg. 55

DETAILED COOLING CAPACITIES# CONTINUED

EVAPORATOR AIR		CONDENSER ENTERING AIR TEMPERATURES °F (°C)																			
		75 (23.9)				85 (29.4)				105 (40.6)				115 (46.1)				125 (51.7)			
		CFM	EWB °F (°C)	Capacity MBtuh		Total System KW**	Capacity MBtuh		Total System KW**	Capacity MBtuh		Total System KW**	Capacity MBtuh		Total System KW**	Capacity MBtuh		Total System KW**			
Total	Sens†			Total	Sens†		Total	Sens†		Total	Sens†		Total	Sens†							
875		72 (22.2)	34.40	17.74	1.83	32.81	17.14	2.05	31.16	16.52	2.29	29.42	15.88	2.56	27.55	15.20	2.87	25.53	14.48	3.23	
		67 (19.4)	31.23	21.80	1.82	29.80	21.20	2.04	28.29	20.57	2.28	26.69	19.03	2.55	24.96	19.24	2.86	23.10	18.49	3.22	
		63 (17.2)††	28.95	20.97	1.81	27.62	20.37	2.03	26.22	19.74	2.27	24.73	18.09	2.54	23.11	18.39	2.86	21.35	17.64	3.22	
		62 (16.7)	28.38	25.74	1.81	27.09	25.12	2.03	25.75	24.46	2.26	24.33	23.73	2.54	22.91	22.91	2.86	21.51	21.51	3.22	
		57 (13.9)	27.40	27.40	1.81	26.39	26.39	2.02	25.32	25.32	2.26	24.15	24.15	2.54	22.88	22.88	2.86	21.48	21.48	3.22	
		72 (22.2)	35.08	18.63	1.86	33.43	18.02	2.08	31.71	17.39	2.32	29.89	16.74	2.59	27.95	16.05	2.90	25.86	15.32	3.25	
		67 (19.4)	31.88	23.23	1.85	30.37	22.61	2.06	28.80	21.98	2.30	27.13	21.31	2.58	25.35	20.60	2.89	23.43	19.84	3.24	
		63 (17.2)††	29.57	22.30	1.84	28.18	21.68	2.05	26.71	21.05	2.29	25.16	20.38	2.57	23.49	19.66	2.88	21.67	18.88	3.24	
		62 (16.7)	29.06	27.61	1.84	27.73	26.92	2.05	26.39	26.39	2.29	25.13	25.13	2.57	23.77	23.77	2.88	22.28	22.28	3.24	
		57 (13.9)	28.58	28.58	1.84	27.49	27.49	2.05	26.34	26.34	2.29	25.10	25.10	2.57	23.74	23.74	2.88	22.26	22.26	3.24	
72 (22.2)	35.61	19.48	1.89	33.89	18.86	2.11	32.11	18.22	2.35	30.24	17.56	2.82	28.25	16.86	2.93	26.10	16.12	3.28			
67 (19.4)	32.37	24.59	1.87	30.81	23.96	2.09	29.18	23.31	2.33	27.47	22.63	2.60	25.64	21.90	2.91	23.68	21.10	3.27			
63 (17.2)††	30.05	23.56	1.86	28.60	22.94	2.08	27.09	22.29	2.32	25.49	21.60	2.59	23.78	20.86	2.91	21.93	20.05	3.27			
62 (16.7)	29.68	29.51	1.86	28.45	28.45	2.08	27.22	27.22	2.32	25.91	25.91	2.60	24.49	24.49	2.91	22.92	22.92	3.27			
57 (13.9)	29.56	29.56	1.86	28.41	28.41	2.08	27.19	27.19	2.32	25.88	25.88	2.59	24.46	24.46	2.91	22.89	22.89	3.27			

215BNA030***A Outdoor Section With FX4DNF031 Indoor Section

COOLING INDOOR MODEL	CAPACITY	POWER	FURNACE MODEL	COOLING INDOOR MODEL	CAPACITY	POWER	FURNACE MODEL	COOLING INDOOR MODEL	CAPACITY	POWER	FURNACE MODEL	COOLING INDOOR MODEL	CAPACITY	POWER	FURNACE MODEL
FB4CNF030	0.98	1.02		CSPH*3012A**	0.97	1.09		CSPH*3012A**	0.97	1.09		CAP**3619A**	0.98	1.02	359BAV036060
FB4CNF036	0.98	1.02		CSPH*3612A**	0.97	1.09		CAP**3617A**	0.98	1.09		CAP**3617A**	0.98	1.02	353(A)BAV036040
FE4AN(B)F003	0.99	0.99		CAP**3014A**	0.97	1.01	315(A)-JAV036070	CNPV*3017A**	0.98	0.98	353(A)BAV036040	CNPV*3017A**	0.98	0.98	353(A)BAV036040
FE4AN(B)F005	1.01	0.97		CAP**3614A**	0.97	1.01	315(A)-JAV036070	CNPV*3017A**	0.98	0.98	353(A)BAV036040	CNPV*3017A**	0.98	0.98	353(A)BAV036040
FE4ANF002	0.98	0.98		CNPV*3017A**	0.97	1.01	315(A)-JAV036070	CNPV*3017A**	0.98	1.01	353(A)BAV036040	CNPV*3017A**	0.98	0.98	353(A)BAV036040
FE4ANF030	0.96	1.07		CNPV*3617A**	0.97	1.01	315(A)-JAV036070	CNPV*3117A**	1.01	0.97	353(A)BAV036060	CNPV*3117A**	1.01	0.97	353(A)BAV036060
FE4ANF031	0.98	1.02		CNPV*3014A**	0.97	1.01	315(A)-JAV036070	CNPV*3617A**	0.98	0.98	353(A)BAV036040	CNPV*3617A**	0.98	0.98	353(A)BAV036040
FE4ANF036	0.98	1.09		CSPH*3012A**	0.97	1.01	315(A)-JAV036070	CNPV*3717A**	1.01	0.97	353(A)BAV036060	CNPV*3717A**	1.01	0.97	353(A)BAV036060
FE4ANF037	0.99	1.03		CSPH*3612A**	0.97	1.01	315(A)-JAV036070	CSPH*3012A**	0.98	0.98	353(A)BAV036040	CSPH*3012A**	0.98	0.98	353(A)BAV036040
FV4BN(B)F003	0.99	0.99		CAP**3017A**	0.97	0.97	315(A)-JAV048090	CSPH*3612A**	0.98	0.98	353(A)BAV036060	CSPH*3612A**	0.98	0.98	353(A)BAV036060
FV4BN(B)F005	1.01	0.97		CAP**3617A**	0.97	0.97	315(A)-JAV048090	CAP**3017A**	0.98	0.98	353(A)BAV036060	CAP**3017A**	0.98	0.98	353(A)BAV036060
FV4BNF002	0.98	0.98		CNPV*3017A**	0.97	0.97	315(A)-JAV048090	CAP**3617A**	0.98	0.98	353(A)BAV036060	CAP**3617A**	0.98	0.98	353(A)BAV036060
FV4CN(B)F003	0.99	0.99		CNPV*3617A**	0.97	0.97	315(A)-JAV048090	CNPV*3017A**	0.98	0.98	353(A)BAV036060	CNPV*3017A**	0.98	0.98	353(A)BAV036060
FV4CN(B)F005	1.01	0.97		CNPV*3017A**	0.97	0.97	315(A)-JAV048090	CNPV*3617A**	0.98	0.98	353(A)BAV036060	CNPV*3617A**	0.98	0.98	353(A)BAV036060
FV4CNF002	0.98	0.98		CNPV*3117A**	0.99	0.99	315(A)-JAV048090	CNPV*3117A**	1.01	0.99	353(A)BAV036060	CNPV*3117A**	1.01	0.99	353(A)BAV036060
FV4CN(B)F036	0.99	1.03		CNPV*3617A**	0.97	0.97	315(A)-JAV048090	CNPV*3617A**	0.98	0.97	353(A)BAV036060	CNPV*3617A**	0.98	0.97	353(A)BAV036060
FV4CNF030	0.98	1.02		CNPV*3717A**	1.01	0.97	315(A)-JAV048090	CNPV*3717A**	1.01	0.97	353(A)BAV036060	CNPV*3717A**	1.01	0.97	353(A)BAV036060
FV4DN(B)F037	1.01	1.01		CSPH*3012A**	0.97	0.97	315(A)-JAV048090	CSPH*3012A**	0.98	0.97	353(A)BAV036060	CSPH*3012A**	0.98	0.97	353(A)BAV036060
FV4ANF030	0.97	1.08		CSPH*3612A**	0.97	0.97	315(A)-JAV048090	CSPH*3612A**	0.98	0.98	353(A)BAV036060	CSPH*3612A**	0.98	0.98	353(A)BAV036060
FV4ANF036	0.97	1.09		CAP**3621A**	0.97	0.97	315(A)-JAV060110	CAP**3621A**	0.98	0.97	353(A)BAV036060	CAP**3621A**	0.98	0.98	353(A)BAV036060
FV5BNF030	0.99	1.03		CNPV*3017A**	0.97	0.97	315(A)-JAV060110	CNPV*3017A**	0.98	0.97	353(A)BAV036060	CNPV*3017A**	0.98	0.98	353(A)BAV036060
FV5BNF036	0.98	1.06		CNPV*3617A**	0.97	0.97	315(A)-JAV060110	CNPV*3617A**	0.98	0.97	353(A)BAV036060	CNPV*3617A**	0.98	0.98	353(A)BAV036060
CAP**3014A**	0.97	1.09		CNPV*3617A**	0.97	0.97	315(A)-JAV060110	CAP**3014A**	0.98	0.97	353(A)BAV036060	CAP**3014A**	0.98	0.98	353(A)BAV036060
CAP**3017A**	0.97	1.09		CSPH*3012A**	0.97	0.97	315(A)-JAV060110	CSPH*3012A**	0.98	0.97	353(A)BAV036060	CSPH*3012A**	0.98	0.98	353(A)BAV036060
CAP**3614A**	0.97	1.09		CSPH*3612A**	0.97	0.97	315(A)-JAV060110	CAP**3614A**	0.98	0.97	353(A)BAV036060	CAP**3614A**	0.98	0.98	353(A)BAV036060
CAP**3617A**	0.97	1.09		CNPV*3017A**	0.97	0.97	315(A)-JAV060110	CNPV*3617A**	0.98	0.97	353(A)BAV036060	CNPV*3617A**	0.98	0.98	353(A)BAV036060
CAP**3617A**	0.97	1.09		CNPV*3617A**	0.97	0.97	315(A)-JAV066135	CNPV*3617A**	0.98	0.97	353(A)BAV036060	CNPV*3617A**	0.98	0.98	353(A)BAV036060
CAP**3619A**	0.97	1.09		CNPV*3617A**	0.97	0.97	315(A)-JAV066135	CAP**3619A**	0.98	0.97	353(A)BAV036060	CAP**3619A**	0.98	0.98	353(A)BAV036060
CAP**3621A**	0.97	1.09		CSPH*3012A**	0.97	0.97	315(A)-JAV066135	CAP**3621A**	0.98	0.97	353(A)BAV036060	CAP**3621A**	0.98	0.98	353(A)BAV036060
CNPV*3618A**	0.97	1.09		CSPH*3612A**	0.97	0.97	315(A)-JAV066135	CNPV*3618A**	0.98	0.97	353(A)BAV036060	CNPV*3618A**	0.98	0.98	353(A)BAV036060
CNPV*3017A**	0.97	1.09		CNPV*3017A**	0.97	0.97	315(A)-JAV066155	CNPV*3017A**	0.98	0.97	353(A)BAV036060	CNPV*3017A**	0.98	0.98	353(A)BAV036060
CNPV*3617A**	0.97	1.09		CNPV*3617A**	0.97	0.97	315(A)-JAV066155	CNPV*3617A**	0.98	0.97	353(A)BAV036060	CNPV*3617A**	0.98	0.98	353(A)BAV036060
CNPV*3014A**	0.97	1.09		CSPH*3012A**	0.97	0.97	315(A)-JAV066155	CSPH*3012A**	0.98	0.97	353(A)BAV036060	CSPH*3012A**	0.98	0.98	353(A)BAV036060
CNPV*3017A**	0.97	1.09		CSPH*3612A**	0.97	0.97	315(A)-JAV066155	CNPV*3017A**	0.98	0.97	353(A)BAV036060	CNPV*3017A**	0.98	0.98	353(A)BAV036060
CNPV*3117A**	1.00	1.09		CAP**3619A**	0.97	1.01	359BAV036040	CAP**3619A**	0.98	1.01	359BAV036040	CAP**3619A**	0.98	1.01	359BAV036040
CNPV*3617A**	0.97	1.09		CAP**3619A**	0.97	1.01	359BAV036040	CNPV*3617A**	0.98	1.01	359BAV036040	CNPV*3617A**	0.98	1.01	359BAV036040
CNPV*3621A**	0.97	1.09		CAP**3621A**	0.97	1.01	359BAV036060	CNPV*3621A**	0.98	1.01	359BAV036060	CNPV*3621A**	0.98	1.01	359BAV036060

215B

DETAILED COOLING CAPACITIES# CONTINUED

215BNA030***A Outdoor Section With FX4DNF031 Indoor Section

COOLING INDOOR MODEL	CAPACITY	POWER	FURNACE MODEL
CAP**3617A**	0.97	1.01	987*A42080V17***
CAP**3621A**	0.98	1.02	987*A42080V17***
CAP**3619A**	0.97	1.01	987*A42080V17***
CAP**3619A**	0.97	1.01	987*A42080V17***
CSPH*3012A**	0.98	1.02	987*A42080V17***
CSPH*3612A**	0.99	0.99	987*A42080V17***
CNPV*3017A**	0.97	1.01	987*A42080V17***
CNPV*3117A**	0.99	0.99	987*A42080V17***
CNPV*3621A**	0.97	1.01	987*A42080V17***
CNPV*3717A**	1.01	1.01	987*A42080V17***
CNPV*3617A**	0.97	1.01	987*A42080V17***
CNPV*3017A**	0.97	1.01	987*A42080V17***
CNPV*3117A**	0.99	0.99	987*A42080V17***
CNPV*3617A**	0.97	1.01	987*A42080V17***
CAP**3621A**	0.98	0.98	987*A60100V21***
CAP**3619A**	0.98	1.02	987*A60100V21***
CSPH*3012A**	0.98	1.02	987*A60100V21***
CSPH*3612A**	1.00	1.00	987*A60100V21***
CNPV*3621A**	0.98	1.02	987*A60100V21***
CNPV*3017A**	0.98	1.02	987*A60100V21***
CNPV*3117A**	1.00	1.00	987*A60100V21***
CNPV*3617A**	0.98	1.02	987*A60100V21***
CSPH*3012A**	0.98	1.02	987*A66120V24***
CSPH*3612A**	1.00	1.00	987*A66120V24***
CNPV*3017A**	0.98	0.98	987*A66120V24***
CNPV*3117A**	1.00	1.00	987*A66120V24***
CNPV*3617A**	0.98	0.98	987*A66120V24***

See note on pg. 55

DETAILED COOLING CAPACITIES# CONTINUED

EVAPORATOR AIR		CONDENSER ENTERING AIR TEMPERATURES °F (°C)																					
		75 (23.9)				85 (29.4)				95 (35)				105 (40.6)				115 (46.1)				125 (51.7)	
		CFM	EWB °F (°C)	Capacity MBtuh		Total System KW**	Capacity MBtuh		Total System KW**	Capacity MBtuh		Total System KW**	Capacity MBtuh		Total System KW**	Capacity MBtuh		Total System KW**	Capacity MBtuh		Total System KW**		
Total	Sens†			Total	Sens†		Total	Sens†		Total	Sens†		Total	Sens†		Total	Sens†		Total	Sens†			
215BNA036***A Outdoor Section With FX4DNF037 Indoor Section																							
	72 (22.2)	41.59	22.07	2.25	21.35	2.51	37.77	20.58	2.79	35.67	19.78	33.40	18.93	3.48	30.96	18.02	3.90						
1050	67 (19.4)	37.90	27.12	2.23	36.20	2.48	34.37	25.60	2.77	32.42	24.78	30.32	23.91	3.45	28.05	22.97	3.88						
	63 (17.2)††	35.22	26.13	2.22	33.62	2.59	31.90	24.60	2.75	30.07	23.77	28.09	22.88	3.44	25.96	21.93	3.87						
	62 (16.7)	34.53	32.04	2.21	32.97	2.47	31.31	30.44	2.75	29.55	29.53	27.74	27.74	3.44	26.04	26.04	3.87						
	57 (13.9)	33.22	33.22	2.21	32.01	32.01	2.46	30.88	30.68	2.74	29.25	29.25	27.70	27.70	3.44	26.00	26.00	3.86					
	72 (22.2)	42.40	23.16	2.28	40.49	22.43	2.54	38.44	21.66	2.83	36.24	20.84	33.91	19.98	3.51	31.38	19.05	3.93					
1200	67 (19.4)	38.68	28.89	2.26	36.90	28.13	35.00	27.34	2.80	32.97	26.50	30.79	25.60	3.49	28.46	24.65	3.91						
	63 (17.2)††	35.97	27.78	2.25	34.30	27.02	32.52	26.22	2.78	30.61	25.37	28.56	24.46	3.47	26.36	23.49	3.90						
	62 (16.7)	35.34	34.38	2.24	33.74	33.54	32.07	31.86	2.78	30.45	30.45	28.80	28.80	3.47	26.99	26.99	3.90						
	57 (13.9)	34.65	34.65	2.24	33.35	33.35	31.93	31.93	2.78	30.41	30.41	28.76	28.76	3.47	26.96	26.96	3.90						
	72 (22.2)	43.03	24.20	2.31	41.06	23.46	2.58	38.93	22.68	2.86	36.68	21.85	34.27	20.98	3.55	31.68	20.04	3.96					
1350	67 (19.4)	39.27	30.57	2.29	37.43	29.81	35.47	29.00	2.83	33.38	28.14	31.16	27.22	3.52	28.76	24.94	3.93						
	63 (17.2)††	36.55	29.35	2.28	34.82	28.58	32.98	27.76	2.81	31.02	26.89	28.92	25.95	3.50	26.67	24.94	3.93						
	62 (16.7)	36.05	36.44	2.28	34.51	34.51	33.01	33.01	2.81	31.41	31.41	29.67	29.67	3.51	27.77	27.77	3.93						
	57 (13.9)	35.84	35.84	2.28	34.46	34.46	32.97	32.97	2.81	31.37	31.37	29.63	29.63	3.51	27.74	27.74	3.93						

COOLING INDOOR MODEL	CAPACITY	POWER	FURNACE MODEL	COOLING INDOOR MODEL	CAPACITY	POWER	FURNACE MODEL	COOLING INDOOR MODEL	CAPACITY	POWER	FURNACE MODEL	COOLING INDOOR MODEL	CAPACITY	POWER	FURNACE MODEL
FB4CNF036	0.97	1.05		CNPV*3717A**	1.01	1.09		CNPV*3717A**	1.01	1.09		CNPV*3717A**	1.01	1.09	
FB4CNF042	1.00	1.04		CNPV*4212A**	0.98	1.09		CNPV*4212A**	0.98	1.09		CNPV*4212A**	0.98	1.09	
FE4AN(B,F)003	0.97	1.01		CNPV*4224A**	1.01	1.08		CNPV*4224A**	1.01	1.08		CNPV*4224A**	1.01	1.08	
FE4AN(B,F)005	1.01	1.01		CSPH*3612A**	0.97	1.10		CSPH*3612A**	0.97	1.10		CSPH*3612A**	0.97	1.10	
FE4ANB006	1.02	0.98		CSPH*4212A**	0.97	1.08		CSPH*4212A**	0.97	1.08		CSPH*4212A**	0.97	1.08	
FE4ANF002	0.97	1.01		CAP**3614A**	0.96	1.00		CAP**3614A**	0.96	1.00		CAP**3614A**	0.96	1.00	
FF1ENP036	0.97	1.01		CAP**3614A**	0.95	1.04		CAP**3614A**	0.95	1.04		CAP**3614A**	0.95	1.04	
FF1ENP037	0.97	1.08		CNPV*3617A**	0.95	1.04		CNPV*3617A**	0.95	1.04		CNPV*3617A**	0.95	1.04	
FV4BN(B,F)003	0.97	1.01		CNPV*4221A**	0.97	1.01		CNPV*4221A**	0.97	1.01		CNPV*4221A**	0.97	1.01	
FV4BN(B,F)005	1.01	1.01		CNPV*4221A**	0.96	1.00		CNPV*4221A**	0.96	1.00		CNPV*4221A**	0.96	1.00	
FV4BNB006	1.02	0.98		CNPV*3717A**	0.99	0.99		CNPV*3717A**	0.99	0.99		CNPV*3717A**	0.99	0.99	
FV4BNF002	0.97	1.01		CNPV*4217A**	0.98	1.02		CNPV*4217A**	0.98	1.02		CNPV*4217A**	0.98	1.02	
FV4CN(B,F)003	0.97	1.01		CSPH*3612A**	0.97	1.01		CSPH*3612A**	0.97	1.01		CSPH*3612A**	0.97	1.01	
FV4CN(B,F)005	1.01	1.01		CSPH*4212A**	0.97	1.01		CSPH*4212A**	0.97	1.01		CSPH*4212A**	0.97	1.01	
FV4CNB006	1.02	0.98		CAP**4221A**	0.96	1.00		CAP**4221A**	0.96	1.00		CAP**4221A**	0.96	1.00	
FV4CNF002	0.97	1.01		CAP**4221A**	0.96	1.00		CAP**4221A**	0.96	1.00		CAP**4221A**	0.96	1.00	
FV4CN(B,F)036	0.98	1.02		CNPV*4221A**	0.97	1.01		CNPV*4221A**	0.97	1.01		CNPV*4221A**	0.97	1.01	
FV4CN(B,F)042	0.99	1.04		CNPV*3617A**	0.97	1.01		CNPV*3617A**	0.97	1.01		CNPV*3617A**	0.97	1.01	
FV4DN(B,F)043	1.00	1.00		CNPV*3617A**	0.96	1.00		CNPV*3617A**	0.96	1.00		CNPV*3617A**	0.96	1.00	
FV4ANF036	0.97	1.10		CNPV*4217A**	0.97	1.01		CNPV*4217A**	0.97	1.01		CNPV*4217A**	0.97	1.01	
FV4ANF042	0.98	1.12		CSPH*3612A**	0.97	1.01		CSPH*3612A**	0.97	1.01		CSPH*3612A**	0.97	1.01	
FV5BNF036	0.97	1.06		CSPH*4212A**	0.98	1.02		CSPH*4212A**	0.98	1.02		CSPH*4212A**	0.98	1.02	
FV5BNF042	0.99	1.07		CAP**4224A**	0.96	1.00		CAP**4224A**	0.96	1.00		CAP**4224A**	0.96	1.00	
CAP**4224A**	0.95	1.08		CNPV*4221A**	0.97	1.01		CNPV*4221A**	0.97	1.01		CNPV*4221A**	0.97	1.01	
CAP**3617A**	0.97	1.10		CNPV*4221A**	0.97	1.01		CNPV*4221A**	0.97	1.01		CNPV*4221A**	0.97	1.01	
CAP**3619A**	0.97	1.10		CSPH*3612A**	0.97	1.01		CSPH*3612A**	0.97	1.01		CSPH*3612A**	0.97	1.01	
CAP**3621A**	0.97	1.10		CSPH*4212A**	0.98	1.02		CSPH*4212A**	0.98	1.02		CSPH*4212A**	0.98	1.02	
CAP**4221A**	0.97	1.08		CAP**4224A**	0.97	1.01		CAP**4224A**	0.97	1.01		CAP**4224A**	0.97	1.01	
CNPV*3618A**	0.97	1.10		CNPV*3617A**	0.97	1.01		CNPV*3617A**	0.97	1.01		CNPV*3617A**	0.97	1.01	
CNPV*3617A**	0.97	1.10		CNPV*4324A**	1.00	1.00		CNPV*4324A**	1.00	1.00		CNPV*4324A**	1.00	1.00	
CNPV*4221A**	0.97	1.08		CSPH*3612A**	0.97	1.01		CSPH*3612A**	0.97	1.01		CSPH*3612A**	0.97	1.01	
CNPV*3617A**	0.97	1.10		CSPH*4212A**	0.97	1.01		CSPH*4212A**	0.97	1.01		CSPH*4212A**	0.97	1.01	

DETAILED COOLING CAPACITIES# CONTINUED

EVAPORATOR AIR		CONDENSER ENTERING AIR TEMPERATURES °F (°C)																							
		75 (23.9)				85 (29.4)				95 (35)				105 (40.6)				115 (46.1)				125 (51.7)			
		Capacity MBtuh		Total System KW**		Capacity MBtuh		Total System KW**		Capacity MBtuh		Total System KW**		Capacity MBtuh		Total System KW**		Capacity MBtuh		Total System KW**		Capacity MBtuh		Total System KW**	
CFM	EWB °F (°C)	Total	Sens†	Total	Sens†	Total	Sens†	Total	Sens†	Total	Sens†	Total	Sens†	Total	Sens†	Total	Sens†	Total	Sens†	Total	Sens†	Total	Sens†		
215BNA042***A Outdoor Section With FX4DNP043 Indoor Section																									
	72 (22.2)	50.43	25.70	2.47	48.01	24.76	2.86	45.51	23.81	42.89	22.83	3.69	40.16	21.82	37.25	20.76	4.13	33.74	26.40	4.62	33.74	26.40	4.62	33.74	26.40
	67 (19.4)	45.65	31.32	2.59	43.47	30.39	2.96	41.22	29.44	38.86	28.47	3.73	36.38	27.46	33.74	26.40	4.15	33.68	26.29	4.16	33.68	26.29	4.16	33.68	26.29
1225	63 (17.2)††	42.23	30.12	2.67	40.23	29.20	3.01	38.16	28.26	35.97	27.30	3.74	33.68	26.29	31.23	25.22	4.61	33.17	32.70	4.16	33.17	32.70	4.16	33.17	32.70
	62 (16.7)	41.36	36.82	2.66	39.42	35.88	3.02	37.42	34.91	33.87	33.87	3.75	32.98	32.98	31.09	31.09	4.61	32.98	32.98	4.16	32.98	32.98	4.16	32.98	32.98
	57 (13.9)	39.50	39.50	2.72	38.01	38.01	3.04	36.44	34.77	34.77	34.77	3.75	34.77	34.77	31.05	31.05	4.61	34.77	34.77	4.16	34.77	34.77	4.16	34.77	34.77
	72 (22.2)	51.53	26.95	2.47	48.98	25.98	2.88	46.35	25.01	43.62	24.01	3.72	40.76	22.98	37.75	21.90	4.65	37.75	22.98	4.19	37.75	22.98	4.19	37.75	22.98
	67 (19.4)	46.66	33.31	2.60	44.38	32.35	2.98	42.00	31.37	39.54	30.39	3.76	36.95	29.35	34.21	28.25	4.66	36.95	29.35	4.20	36.95	29.35	4.20	36.95	29.35
1400	63 (17.2)††	43.19	31.97	2.69	41.08	31.02	3.04	38.90	30.06	36.62	29.07	3.78	34.22	28.03	31.69	26.94	4.66	34.22	28.03	4.20	34.22	28.03	4.20	34.22	28.03
	62 (16.7)	42.36	39.45	2.70	40.35	38.44	3.05	38.28	37.36	36.20	36.20	3.78	34.27	34.27	32.20	32.20	4.66	34.27	34.27	4.20	34.27	34.27	4.20	34.27	34.27
	57 (13.9)	41.23	41.23	2.72	39.62	39.62	3.06	37.93	37.93	36.14	36.14	3.78	34.22	34.22	32.16	32.16	4.66	34.22	34.22	4.20	34.22	34.22	4.20	34.22	34.22
	72 (22.2)	52.37	28.11	2.48	49.72	27.13	2.90	47.00	26.14	44.15	25.12	3.75	41.21	24.07	38.11	22.98	4.69	41.21	24.07	4.20	41.21	24.07	4.20	41.21	24.07
	67 (19.4)	47.45	35.19	2.62	45.05	34.20	3.00	42.59	33.23	40.05	32.20	3.80	37.37	31.13	34.58	30.00	4.70	37.37	31.13	4.24	37.37	31.13	4.24	37.37	31.13
1575	63 (17.2)††	43.93	33.72	2.71	41.73	32.75	3.07	39.46	31.77	37.10	30.75	3.82	34.64	29.68	32.04	28.54	4.70	34.64	29.68	4.24	34.64	29.68	4.24	34.64	29.68
	62 (16.7)	43.23	41.84	2.72	41.18	40.82	3.07	39.23	38.23	37.32	37.32	3.82	35.29	35.29	33.12	33.12	4.70	35.29	35.29	4.24	35.29	35.29	4.24	35.29	35.29
	57 (13.9)	42.69	42.69	2.73	40.98	40.98	3.08	39.18	39.18	37.28	37.28	3.82	35.25	35.25	33.08	33.08	4.70	35.25	35.25	4.24	35.25	35.25	4.24	35.25	35.25

COOLING INDOOR MODEL		CAPACITY		POWER	FURNACE MODEL	
		Total	Sens†		FURNACE MODEL	
					Total	Sens†
*FX4DN(B,F)043	1.00	1.00		1.00	1.00	315(A)-JAV066110
FB4CNF042	1.01	1.01		1.03	1.03	315(A)-JAV036070
FE4AN(B,F)003	1.01	1.01		1.04	1.04	315(A)-JAV036070
FE4AN(B,F)005	1.01	0.97		1.03	1.03	315(A)-JAV036070
FE4AN(B,F)006	1.01	0.97		1.04	1.04	315(A)-JAV036070
FE4AN(B,F)003	0.99	1.03		1.00	1.00	315(A)-JAV048090
FE4AN(B,F)005	1.01	0.97		1.03	1.03	315(A)-JAV048090
FE4AN(B,F)006	1.01	0.97		1.04	1.04	315(A)-JAV048090
FX4CN(B,F)042	1.01	1.05		1.00	1.00	315(A)-JAV060110
FX4CN(B,F)048	1.01	1.01		1.03	1.03	315(A)-JAV060110
FX4DN(B,F)049	1.01	0.97		1.00	1.00	315(A)-JAV060110
FY4ANF042	1.00	1.09		1.03	1.03	315(A)-JAV060110
FY4ANF048	1.01	1.10		1.01	1.01	315(A)-JAV060110
FY5BNF042	1.01	1.05		1.00	1.00	315(A)-JAV060110
FY5BNF048	1.01	1.05		1.04	1.04	315(A)-JAV060110
CAP**4221A**	0.99	1.07		1.00	1.00	315(A)-JAV066135
CAP**4224A**	0.99	1.07		0.99	0.99	315(A)-JAV066135
CAP**4817A**	1.01	1.10		1.00	1.00	315(A)-JAV066135
CAP**4821A**	1.01	1.10		1.03	1.03	315(A)-JAV066135
CAP**4823A**	1.01	1.10		1.00	1.00	315(A)-JAV066135
CAP**4824A**	1.01	1.10		0.97	0.97	315(A)-JAV066135
CNPF*4818A**	1.00	1.09		1.00	1.00	315(A)-JAV066135
CNPF*4821A**	0.99	1.07		1.00	1.00	315(A)-JAV066135
CNPF*4821A**	1.01	1.10		1.01	1.01	315(A)-JAV066135
CNPF*4827A**	1.00	1.09		0.99	0.99	315(A)-JAV066155
CNPF*4828A**	1.01	1.10		1.01	1.01	315(A)-JAV066155
CNPF*4829A**	1.01	1.10		1.01	1.01	315(A)-JAV066155
CNPF*4832A**	1.01	1.10		1.01	1.01	315(A)-JAV066155
CNPF*4834A**	1.01	1.05		0.99	0.99	315(A)-JAV066155
CNPF*4821A**	1.01	1.10		1.01	1.01	315(A)-JAV066155
CNPF*4824A**	1.01	1.10		1.01	1.01	315(A)-JAV066155
CNPF*4821A**	0.99	1.07		1.00	1.00	315(A)-JAV066155

215B

DETAILED COOLING CAPACITIES# CONTINUED

215BNA042***A Outdoor Section With FX4DNF043 Indoor Section

COOLING INDOOR MODEL	CAPACITY	POWER	FURNACE MODEL
CSPH*4212A**	1.01	1.05	986*A48100V21***
CSPH*4812A**	1.01	1.05	986*A48100V21***
CNPV*4324A**	1.01	1.01	986*A48100V21***
CNPV*4824A**	1.01	1.05	986*A48100V21***
CNPV*4212A**	0.99	1.05	986*A48100V21***
CNPV*4821A**	1.01	1.05	986*A48100V21***
CNPV*4221A**	0.99	1.05	986*A48100V21***
CNPV*4321A**	1.00	1.00	986*A48100V21***
CNPV*4821A**	1.01	1.05	986*A48100V21***
CAP**4224A**	0.99	1.03	986*A66120V24***
CAP**4824A**	1.00	1.00	986*A66120V24***
CAP**4823A**	1.00	1.04	986*A66120V24***
CSPH*4812A**	1.01	1.01	986*A66120V24***
CNPV*4324A**	1.01	1.00	986*A66120V24***
CNPV*4824A**	1.00	1.00	986*A66120V24***
CNPV*4221A**	0.99	1.03	986*A66120V24***
CNPV*4321A**	1.01	1.01	986*A66120V24***
CNPV*4821A**	1.00	1.00	986*A66120V24***
CAP**4221A**	0.96	1.06	987*A42060V17***
CAP**4817A**	0.99	1.05	987*A42060V17***
CAP**4821A**	0.99	1.05	987*A42060V17***
CSPH*4212A**	0.99	1.05	987*A42060V17***
CSPH*4812A**	0.96	1.06	987*A42060V17***
CNPV*4212A**	0.99	1.05	987*A42060V17***
CNPV*4821A**	0.99	1.05	987*A42060V17***
CNPV*4217A**	0.98	1.06	987*A42060V17***
CNPV*4212A**	0.96	1.06	987*A42060V17***
CNPV*4321A**	1.00	1.04	987*A42060V17***
CNPV*4821A**	0.99	1.05	987*A42060V17***
CAP**4221A**	0.98	1.03	987*A42080V17***
CAP**4817A**	1.00	1.04	987*A42080V17***
CAP**4821A**	0.99	1.05	987*A42080V17***
CSPH*4212A**	0.99	1.03	987*A42080V17***
CSPH*4812A**	1.00	1.04	987*A42080V17***
CNPV*4212A**	0.99	1.04	987*A42080V17***
CNPV*4821A**	0.99	1.03	987*A42080V17***
CAP**4221A**	0.98	1.03	987*A60100V21***
CAP**4224A**	0.98	1.03	987*A60100V21***
CAP**4821A**	0.99	1.03	987*A60100V21***
CAP**4824A**	0.99	1.03	987*A60100V21***
CAP**4823A**	0.99	1.03	987*A60100V21***
CAP**4823A**	0.99	1.03	987*A60100V21***
CSPH*4212A**	1.00	1.04	987*A60100V21***
CSPH*4812A**	1.00	1.04	987*A60100V21***
CNPV*4324A**	1.01	1.01	987*A60100V21***
CNPV*4824A**	1.00	1.04	987*A60100V21***
CNPV*4212A**	0.98	1.03	987*A60100V21***
CNPV*4821A**	0.98	1.04	987*A60100V21***
CNPV*4221A**	0.98	1.03	987*A60100V21***
CNPV*4321A**	1.01	1.01	987*A60100V21***

COOLING INDOOR MODEL	CAPACITY	POWER	FURNACE MODEL
CNPV*4821A**	1.00	1.04	987*A60100V21***
CAP**4224A**	0.98	1.02	987*A66120V24***
CAP**4824A**	0.99	1.03	987*A66120V24***
CAP**4823A**	0.99	1.03	987*A66120V24***
CSPH*4212A**	1.00	1.00	987*A66120V24***
CSPH*4812A**	1.00	1.01	987*A66120V24***
CNPV*4324A**	1.01	1.01	987*A66120V24***
CNPV*4824A**	1.00	1.00	987*A66120V24***
CNPV*4221A**	0.98	1.02	987*A66120V24***
CNPV*4321A**	1.01	1.01	987*A66120V24***
CNPV*4821A**	1.00	1.00	987*A66120V24***

See note on pg. 55

DETAILED COOLING CAPACITIES# CONTINUED

EVAPORATOR AIR		CONDENSER ENTERING AIR TEMPERATURES ° F (° C)																							
		75 (23.9)				85 (29.4)				95 (35)				105 (40.6)				115 (46.1)				125 (51.7)			
		CFM	EWB ° F (° C)	Capacity MBtuh		Total System KW**	Capacity MBtuh		Total System KW**	Capacity MBtuh		Total System KW**	Capacity MBtuh		Total System KW**	Capacity MBtuh		Total System KW**	Capacity MBtuh		Total System KW**	Capacity MBtuh		Total System KW**	
Total	Sens†			Total	Sens†		Total	Sens†		Total	Sens†		Total	Sens†		Total	Sens†		Total	Sens†		Total	Sens†		
215BNA048***A Outdoor Section With FX4DNF049 Indoor Section																									
1400	72 (22.2)	57.01	29.54	54.18	2.89	28.44	3.33	51.32	27.34	3.75	48.40	26.24	4.19	45.36	25.11	4.66	42.16	23.93	5.18						
	67 (19.4)	51.80	36.19	49.25	2.93	35.09	3.33	46.66	33.99	3.74	44.00	32.89	4.16	41.24	31.75	4.62	38.29	30.55	5.14						
	63 (17.2)††	48.03	34.83	45.68	2.94	33.75	3.33	43.28	32.66	3.73	40.82	31.56	4.14	38.24	30.42	4.60	35.50	29.21	5.12						
	62 (16.7)	47.07	42.67	44.77	2.95	41.56	3.33	42.47	40.43	3.72	40.10	39.24	4.13	37.67	37.67	4.59	35.46	35.46	5.12						
	57 (13.9)	45.11	45.11	43.35	2.96	43.35	3.33	41.52	41.52	3.72	39.62	39.62	4.13	37.60	37.60	4.59	35.41	35.41	5.12						
1600	72 (22.2)	58.19	30.99	55.20	2.93	29.86	3.37	52.22	28.73	3.80	49.16	27.61	4.24	46.01	26.47	4.71	42.69	25.27	5.23						
	67 (19.4)	52.92	38.52	50.21	2.97	37.39	3.38	47.50	36.26	3.79	44.73	35.13	4.22	41.84	33.97	4.68	38.81	32.75	5.20						
	63 (17.2)††	49.09	37.01	46.60	2.99	35.89	3.38	44.10	34.77	3.78	41.52	33.65	4.19	38.85	32.48	4.65	36.02	31.24	5.17						
	62 (16.7)	48.18	45.78	45.81	2.99	44.58	3.38	43.44	43.29	3.78	41.21	41.21	4.19	39.05	39.05	4.65	36.72	36.72	5.18						
	57 (13.9)	47.07	47.07	45.16	2.99	45.16	3.38	43.19	43.19	3.77	41.16	41.16	4.19	39.00	39.00	4.65	36.67	36.67	5.18						
1800	72 (22.2)	59.07	32.35	55.98	2.97	31.20	3.42	52.88	30.05	3.85	49.73	28.92	4.30	46.49	27.76	4.77	43.06	26.55	5.29						
	67 (19.4)	53.74	40.74	50.94	3.01	39.59	3.43	48.45	38.45	3.84	45.26	37.27	4.27	42.30	36.08	4.73	39.19	34.81	5.25						
	63 (17.2)††	49.89	39.08	47.31	3.03	37.94	3.43	44.71	36.78	3.83	42.06	35.63	4.25	39.30	34.43	4.71	36.40	33.14	5.22						
	62 (16.7)	49.14	48.58	46.76	3.03	46.76	3.43	44.65	44.65	3.83	42.49	42.49	4.25	40.19	40.19	4.71	37.73	37.73	5.24						
	57 (13.9)	48.72	48.72	46.68	3.03	46.68	3.43	44.59	44.59	3.83	42.43	42.43	4.25	40.15	40.15	4.71	37.69	37.69	5.24						

COOLING INDOOR MODEL	CAPACITY	POWER	FURNACE MODEL	COOLING INDOOR MODEL			FURNACE MODEL			CAPACITY	POWER	FURNACE MODEL		
				COOLING INDOOR MODEL	POWER	FURNACE MODEL	COOLING INDOOR MODEL	POWER	FURNACE MODEL					
*FX4DN(B,F)049	1.00	1.00		CNPV*4821A**	0.95	315(A)-JAV048090	CSPH*4821A**	0.99	315(A)-JAV06110	0.95	315(A)-JAV06110	CAP**4823A**	1.04	359BAV060080
FB4CNF048	0.97	1.05		CNPV*6124A**	0.97	315(A)-JAV048090	CNPV*6124A**	1.01	315(A)-JAV06110	0.97	315(A)-JAV06110	CAP**6025A**	1.02	359BAV060100
FE4CNF060	0.98	1.03		CSPH*4821A**	0.96	315(A)-JAV048090	CSPH*4821A**	1.00	315(A)-JAV06110	0.96	315(A)-JAV06110	CNPV*4821A**	1.04	353(A)-BJAV048080
FE4AN(B,F)005	0.98	0.98		CSPH*6012A**	0.98	315(A)-JAV048090	CSPH*6012A**	1.02	315(A)-JAV06110	0.98	315(A)-JAV06110	CNPV*6024A**	1.02	353(A)-BJAV048080
FE4ANB006	0.99	0.99		CAP**4821A**	0.95	315(A)-JAV06110	CAP**4821A**	1.03	315(A)-JAV06110	0.95	315(A)-JAV06110	CSPH*6124A**	1.02	353(A)-BJAV048080
FV4BN(B,F)005	0.98	0.98		CAP**6021A**	0.97	315(A)-JAV06110	CAP**6021A**	1.01	315(A)-JAV06110	0.97	315(A)-JAV06110	CSPH*4812A**	1.05	353(A)-BJAV048080
FV4BNB006	0.99	0.99		CNPV*4821A**	0.96	315(A)-JAV06110	CNPV*4821A**	1.00	315(A)-JAV06110	0.96	315(A)-JAV06110	CSPH*6124A**	1.02	353(A)-BJAV048080
FV4CN(B,F)005	0.99	0.99		CNPV*6124A**	0.97	315(A)-JAV06110	CNPV*6124A**	1.01	315(A)-JAV06110	0.97	315(A)-JAV06110	CAP**4821A**	1.00	353(A)-BJAV060100
FV4CNB006	0.99	1.03		CNPV*6124A**	0.98	315(A)-JAV06110	CNPV*6124A**	1.02	315(A)-JAV06110	0.98	315(A)-JAV06110	CAP**6021A**	1.00	353(A)-BJAV060100
FX4CN(B,F)048	1.00	1.00		CNPV*4821A**	0.96	315(A)-JAV06110	CNPV*4821A**	1.00	315(A)-JAV06110	0.96	315(A)-JAV06110	CNPV*4821A**	1.02	353(A)-BJAV060100
FX4DN(B,F)061	1.01	1.01		CNPV*6124A**	0.98	315(A)-JAV06110	CNPV*6124A**	1.00	315(A)-JAV06110	0.98	315(A)-JAV06110	CNPV*6024A**	1.02	353(A)-BJAV060100
FY4ANB060	0.99	1.08		CSPH*4812A**	0.96	315(A)-JAV06110	CSPH*4812A**	1.00	315(A)-JAV06110	0.96	315(A)-JAV06110	CNPV*4821A**	1.02	353(A)-BJAV060100
FY4ANF048	0.97	1.08		CAP**4824A**	0.96	315(A)-JAV06110	CAP**4824A**	1.02	315(A)-JAV06110	0.96	315(A)-JAV06110	CNPV*6124A**	1.00	353(A)-BJAV060100
FY5BNB060	0.98	1.08		CAP**6024A**	0.97	315(A)-JAV06110	CAP**6024A**	1.01	315(A)-JAV06110	0.97	315(A)-JAV06110	CNPV*6024A**	1.01	353(A)-BJAV060100
FY5BNF048	0.98	1.02		CNPV*4821A**	0.96	315(A)-JAV06110	CNPV*4821A**	1.00	315(A)-JAV06110	0.96	315(A)-JAV06110	CNPV*6024A**	1.03	353(A)-BJAV060100
CAP**4817A**	0.95	1.03		CNPV*6024A**	0.97	315(A)-JAV06110	CNPV*6024A**	1.00	315(A)-JAV06110	0.97	315(A)-JAV06110	CNPV*6024A**	1.00	353(A)-BJAV060120
CAP**4821A**	0.96	1.04		CNPV*6024A**	0.97	315(A)-JAV06110	CNPV*6024A**	0.97	315(A)-JAV06110	0.97	315(A)-JAV06110	CNPV*6024A**	1.02	353(A)-BJAV060120
CAP**4823A**	0.96	1.04		CNPV*6124A**	0.98	315(A)-JAV06110	CNPV*6124A**	0.98	315(A)-JAV06110	0.98	315(A)-JAV06110	CNPV*6024A**	1.01	353(A)-BJAV060120
CAP**4824A**	0.96	1.04		CNPV*4824A**	0.96	315(A)-JAV06110	CNPV*4824A**	1.00	315(A)-JAV06110	0.96	315(A)-JAV06110	CNPV*6024A**	1.02	353(A)-BJAV060120
CAP**6021A**	0.98	1.06		CNPV*6024A**	0.97	315(A)-JAV06110	CNPV*6024A**	0.97	315(A)-JAV06110	0.97	315(A)-JAV06110	CNPV*6024A**	0.99	353(A)-BJAV060120
CAP**6024A**	0.98	1.06		CNPV*6124A**	0.99	315(A)-JAV06110	CNPV*6124A**	0.99	315(A)-JAV06110	0.99	315(A)-JAV06110	CNPV*6024A**	1.01	353(A)-BJAV060120
CAP**6025A**	0.98	1.06		CNPV*6124A**	0.97	315(A)-JAV06110	CNPV*6124A**	0.97	315(A)-JAV06110	0.97	315(A)-JAV06110	CNPV*6024A**	1.02	353(A)-BJAV060120
CNPV*4818A**	0.94	1.02		CNPV*6012A**	0.98	315(A)-JAV06110	CNPV*6012A**	0.98	315(A)-JAV06110	0.98	315(A)-JAV06110	CNPV*6124A**	0.99	353(A)-BJAV060120
CNPV*4821A**	0.96	1.04		CAP**4824A**	0.96	315(A)-JAV06110	CAP**4824A**	1.00	315(A)-JAV06110	0.96	315(A)-JAV06110	CSPH*4812A**	1.01	353(A)-BJAV060120
CNPV*6124A**	0.98	1.06		CAP**6024A**	0.98	315(A)-JAV06110	CAP**6024A**	0.98	315(A)-JAV06110	0.98	315(A)-JAV06110	CSPH*6012A**	0.99	353(A)-BJAV060120
CNPV*6124A**	0.99	1.08		CNPV*4821A**	0.96	315(A)-JAV06110	CNPV*4821A**	1.00	315(A)-JAV06110	0.96	315(A)-JAV06110	CAP**4821A**	1.00	355(A)-CAJAV060080
CNPV*6124A**	0.99	1.04		CNPV*6124A**	0.98	315(A)-JAV06110	CNPV*6124A**	0.98	315(A)-JAV06110	0.98	315(A)-JAV06110	CAP**6021A**	1.02	355(A)-CAJAV060080
CNPV*6124A**	0.96	1.04		CNPV*6024A**	0.98	315(A)-JAV06110	CNPV*6024A**	0.98	315(A)-JAV06110	0.98	315(A)-JAV06110	CAP**6021A**	1.03	355(A)-CAJAV060080
CNPV*6124A**	0.98	1.06		CNPV*6024A**	0.98	315(A)-JAV06110	CNPV*6024A**	0.98	315(A)-JAV06110	0.98	315(A)-JAV06110	CNPV*6024A**	1.00	355(A)-CAJAV060080
CNPV*6124A**	0.96	1.04		CNPV*6124A**	0.99	315(A)-JAV06110	CNPV*6124A**	0.99	315(A)-JAV06110	0.99	315(A)-JAV06110	CNPV*6124A**	1.01	355(A)-CAJAV060080
CNPV*6124A**	0.98	1.04		CNPV*6124A**	0.99	315(A)-JAV06110	CNPV*6124A**	0.99	315(A)-JAV06110	0.99	315(A)-JAV06110	CNPV*4821A**	1.03	355(A)-CAJAV060080
CNPV*6124A**	0.98	1.06		CSPH*4812A**	0.96	315(A)-JAV06110	CSPH*4812A**	0.96	315(A)-JAV06110	0.96	315(A)-JAV06110	CSPH*4812A**	1.04	355(A)-CAJAV060080
CNPV*6124A**	0.98	1.04		CSPH*6012A**	0.97	315(A)-JAV06110	CSPH*6012A**	0.97	315(A)-JAV06110	0.97	315(A)-JAV06110	CSPH*6012A**	1.01	355(A)-CAJAV060080

DETAILED COOLING CAPACITIES# CONTINUED

EVAPORATOR AIR		CONDENSER ENTERING AIR TEMPERATURES °F (°C)																					
		75 (23.9)				85 (29.4)				95 (35)				105 (40.6)				115 (46.1)				125 (51.7)	
		CFM	EWB °F (°C)	Capacity MBTuh		Total System KW**	Capacity MBTuh		Total System KW**	Capacity MBTuh		Total System KW**	Capacity MBTuh		Total System KW**	Capacity MBTuh		Total System KW**	Capacity MBTuh		Total System KW**		
Total	Sens†			Total	Sens†		Total	Sens†		Total	Sens†		Total	Sens†		Total	Sens†		Total	Sens†			
1750	72 (22.2)	69.17	35.96	3.81	65.83	34.68	4.20	62.32	33.37	4.56	58.60	31.99	5.12	54.63	30.54	5.68	50.41	29.02	6.30				
	67 (19.4)	63.19	44.51	3.74	60.19	43.24	4.13	57.00	41.92	4.56	53.63	40.55	5.05	50.02	39.09	5.61	46.18	37.54	6.25				
	63 (17.2)††	58.86	42.93	3.69	56.08	41.67	4.08	53.14	40.35	4.51	50.62	39.88	5.00	48.68	37.53	5.56	43.12	35.99	6.21				
	62 (16.7)	57.71	52.83	3.68	55.03	51.53	4.07	52.20	50.14	4.50	49.23	48.59	4.99	46.32	46.32	5.56	43.40	43.40	6.21				
	57 (13.9)	55.78	55.78	3.66	53.67	53.67	4.05	51.40	51.40	4.49	48.93	48.93	4.99	46.26	46.26	5.56	43.34	43.34	6.21				
2000	72 (22.2)	70.36	37.71	3.89	66.90	36.42	4.28	63.21	35.07	4.71	59.35	33.67	5.20	55.24	32.20	5.75	50.87	30.66	6.38				
	67 (19.4)	64.35	47.38	3.82	61.20	46.09	4.21	57.88	44.75	4.64	54.36	43.33	5.13	50.63	41.84	5.69	46.66	40.25	6.32				
	63 (17.2)††	59.99	45.61	3.77	57.09	44.32	4.15	54.01	42.98	4.59	50.76	41.57	5.08	47.31	40.08	5.64	43.61	38.48	6.28				
	62 (16.7)	58.97	56.64	3.76	56.19	55.19	4.15	53.39	53.39	4.58	50.73	50.73	5.08	47.86	47.86	5.65	44.74	44.74	6.30				
	57 (13.9)	57.48	57.48	3.75	55.76	55.76	4.14	53.31	53.31	4.58	50.67	50.67	5.08	47.80	47.80	5.65	44.69	44.69	6.29				
2250	72 (22.2)	71.26	39.37	3.97	67.85	38.06	4.36	63.86	36.70	4.79	59.89	35.28	5.27	55.65	33.79	5.82	51.19	32.24	6.45				
	67 (19.4)	65.22	50.14	3.89	61.95	48.81	4.23	58.50	47.43	4.71	54.89	45.99	5.20	51.06	44.45	5.76	47.00	42.79	6.39				
	63 (17.2)††	60.84	48.17	3.84	57.83	46.84	4.23	54.65	45.48	4.66	51.31	44.03	5.15	47.75	42.48	5.71	43.99	40.82	6.35				
	62 (16.7)	60.05	60.05	3.84	57.56	57.56	4.23	54.95	54.95	4.67	52.14	52.14	5.16	49.11	49.11	5.73	45.81	45.81	6.38				
	57 (13.9)	59.92	59.92	3.84	57.48	57.48	4.23	54.88	54.88	4.67	52.08	52.08	5.16	49.05	49.05	5.73	45.76	45.76	6.38				

215BN/A060***A Outdoor Section With FX4DNF061 Indoor Section

COOLING INDOOR MODEL	FURNACE MODEL	POWER	CAPACITY	COOLING INDOOR MODEL	FURNACE MODEL	POWER	CAPACITY	COOLING INDOOR MODEL	FURNACE MODEL	POWER	CAPACITY	COOLING INDOOR MODEL	FURNACE MODEL	POWER	CAPACITY	COOLING INDOOR MODEL	FURNACE MODEL	POWER	CAPACITY	COOLING INDOOR MODEL	FURNACE MODEL		
																						COOLING INDOOR MODEL	FURNACE MODEL
*FX4DN(B,F)061		1.00	1.00	CSPH*6012A**	353(A,B)A/V048080	1.06	0.97	CSPH*6012A**	353(A,B)A/V048080	1.06	0.97	CAP**6025A**	355(A,C)A/V060120	1.03	0.97	CAP**6025A**	355(A,C)A/V060120	1.03	0.97	CAP**6025A**	355(A,C)A/V060120	1.03	0.97
FB4CNF060		1.06	0.97	CAP**6021A**	353(A,B)A/V060100	1.01	0.97	CAP**6021A**	353(A,B)A/V060100	1.01	0.97	CAP**6021A**	353(A,B)A/V060100	1.01	0.97	CAP**6021A**	353(A,B)A/V060100	1.01	0.97	CAP**6021A**	353(A,B)A/V060100	1.01	0.97
FV4BNB006		0.99	0.99	CNPV*6024A**	353(A,B)A/V060100	1.01	0.97	CNPV*6024A**	353(A,B)A/V060100	1.01	0.97	CNPV*6024A**	353(A,B)A/V060100	1.01	0.97	CNPV*6024A**	353(A,B)A/V060100	1.01	0.97	CNPV*6024A**	353(A,B)A/V060100	1.01	0.97
FV4CNB006		0.99	0.99	CSPH*6012A**	353(A,B)A/V060100	1.02	0.98	CSPH*6012A**	353(A,B)A/V060100	1.02	0.98	CSPH*6012A**	353(A,B)A/V060100	1.02	0.98	CSPH*6012A**	353(A,B)A/V060100	1.02	0.98	CSPH*6012A**	353(A,B)A/V060100	1.02	0.98
FX4CN(B,F)060		1.03	0.99	CAP**6024A**	353(A,B)A/V060120	1.01	0.97	CAP**6024A**	353(A,B)A/V060120	1.01	0.97	CAP**6024A**	353(A,B)A/V060120	1.01	0.97	CAP**6024A**	353(A,B)A/V060120	1.01	0.97	CAP**6024A**	353(A,B)A/V060120	1.01	0.97
FV4ANB060		1.07	0.98	CNPV*6024A**	353(A,B)A/V060120	1.01	0.97	CNPV*6024A**	353(A,B)A/V060120	1.01	0.97	CNPV*6024A**	353(A,B)A/V060120	1.01	0.97	CNPV*6024A**	353(A,B)A/V060120	1.01	0.97	CNPV*6024A**	353(A,B)A/V060120	1.01	0.97
FV5BNB060		1.07	0.98	CNPV*6124A**	353(A,B)A/V060120	1.02	0.98	CNPV*6124A**	353(A,B)A/V060120	1.02	0.98	CNPV*6124A**	353(A,B)A/V060120	1.02	0.98	CNPV*6124A**	353(A,B)A/V060120	1.02	0.98	CNPV*6124A**	353(A,B)A/V060120	1.02	0.98
CAP**6021A**		1.06	0.97	CNPV*6024A**	353(A,B)A/V060120	1.01	0.97	CNPV*6024A**	353(A,B)A/V060120	1.01	0.97	CNPV*6024A**	353(A,B)A/V060120	1.01	0.97	CNPV*6024A**	353(A,B)A/V060120	1.01	0.97	CNPV*6024A**	353(A,B)A/V060120	1.01	0.97
CAP**6024A**		1.06	0.97	CNPV*6124A**	353(A,B)A/V060120	1.01	0.97	CNPV*6124A**	353(A,B)A/V060120	1.01	0.97	CNPV*6124A**	353(A,B)A/V060120	1.01	0.97	CNPV*6124A**	353(A,B)A/V060120	1.01	0.97	CNPV*6124A**	353(A,B)A/V060120	1.01	0.97
CAP**6025A**		1.06	0.97	CNPV*6024A**	353(A,B)A/V060120	1.02	0.98	CNPV*6024A**	353(A,B)A/V060120	1.02	0.98	CNPV*6024A**	353(A,B)A/V060120	1.02	0.98	CNPV*6024A**	353(A,B)A/V060120	1.02	0.98	CNPV*6024A**	353(A,B)A/V060120	1.02	0.98
CNPV*6024A**		1.06	0.97	CNPV*6124A**	355(A,C)A/V060120	1.04	0.98	CNPV*6124A**	355(A,C)A/V060120	1.04	0.98	CNPV*6124A**	355(A,C)A/V060120	1.04	0.98	CNPV*6124A**	355(A,C)A/V060120	1.04	0.98	CNPV*6124A**	355(A,C)A/V060120	1.04	0.98
CNPV*6124A**		1.07	0.98	CSPH*6012A**	355(A,C)A/V060120	1.06	0.97	CSPH*6012A**	355(A,C)A/V060120	1.06	0.97	CSPH*6012A**	355(A,C)A/V060120	1.06	0.97	CSPH*6012A**	355(A,C)A/V060120	1.06	0.97	CSPH*6012A**	355(A,C)A/V060120	1.06	0.97
CNPV*6024A**		1.06	0.97	CAP**6021A**	313*AV060110	1.01	0.97	CAP**6021A**	313*AV060110	1.01	0.97	CAP**6021A**	313*AV060110	1.01	0.97	CAP**6021A**	313*AV060110	1.01	0.97	CAP**6021A**	313*AV060110	1.01	0.97
CNPV*6124A**		1.06	0.97	CNPV*6024A**	313*AV060110	1.01	0.97	CNPV*6024A**	313*AV060110	1.01	0.97	CNPV*6024A**	313*AV060110	1.01	0.97	CNPV*6024A**	313*AV060110	1.01	0.97	CNPV*6024A**	313*AV060110	1.01	0.97
CSPH*6012A**		1.06	0.97	CNPV*6124A**	313*AV060110	1.02	0.98	CNPV*6124A**	313*AV060110	1.02	0.98	CNPV*6124A**	313*AV060110	1.02	0.98	CNPV*6124A**	313*AV060110	1.02	0.98	CNPV*6124A**	313*AV060110	1.02	0.98
CAP**6021A**		1.06	0.97	CSPH*6012A**	313*AV060110	1.02	0.98	CSPH*6012A**	313*AV060110	1.02	0.98	CSPH*6012A**	313*AV060110	1.02	0.98	CSPH*6012A**	313*AV060110	1.02	0.98	CSPH*6012A**	313*AV060110	1.02	0.98
CNPV*6024A**		1.06	0.97	CAP**6024A**	313*AV060110	1.01	0.97	CAP**6024A**	313*AV060110	1.01	0.97	CAP**6024A**	313*AV060110	1.01	0.97	CAP**6024A**	313*AV060110	1.01	0.97	CAP**6024A**	313*AV060110	1.01	0.97
CNPV*6124A**		1.07	0.98	CNPV*6024A**	313*AV060135	1.01	0.97	CNPV*6024A**	313*AV060135	1.01	0.97	CNPV*6024A**	313*AV060135	1.01	0.97	CNPV*6024A**	313*AV060135	1.01	0.97	CNPV*6024A**	313*AV060135	1.01	0.97
CSPH*6012A**		1.07	0.98	CNPV*6124A**	313*AV060135	1.01	0.97	CNPV*6124A**	313*AV060135	1.01	0.97	CNPV*6124A**	313*AV060135	1.01	0.97	CNPV*6124A**	313*AV060135	1.01	0.97	CNPV*6124A**	313*AV060135	1.01	0.97
CAP**6024A**		1.01	0.97	CNPV*6024A**	313*AV060135	1.01	0.97	CNPV*6024A**	313*AV060135	1.01	0.97	CNPV*6024A**	313*AV060135	1.01	0.97	CNPV*6024A**	313*AV060135	1.01	0.97	CNPV*6024A**	313*AV060135	1.01	0.97
CNPV*6024A**		1.01	0.97	CNPV*6124A**	313*AV060135	1.01	0.97	CNPV*6124A**	313*AV060135	1.01	0.97	CNPV*6124A**	313*AV060135	1.01	0.97	CNPV*6124A**	313*AV060135	1.01	0.97	CNPV*6124A**	313*AV060135	1.01	0.97
CNPV*6124A**		1.02	0.98	CAP**6024A**	313*AV060135	1.02	0.98	CAP**6024A**	313*AV060135	1.02	0.98	CAP**6024A**	313*AV060135	1.02	0.98	CAP**6024A**	313*AV060135	1.02	0.98	CAP**6024A**	313*AV060135	1.02	0.98
CNPV*6024A**		1.01	0.97	CAP**6025A**	313*AV060135	1.04	0.98	CAP**6025A**	313*AV060135	1.04	0.98	CAP**6025A**	313*AV060135	1.04	0.98	CAP**6025A**	313*AV060135	1.04	0.98	CAP**6025A**	313*AV060135	1.04	0.98
CSPH*6012A**		1.02	0.98	CAP**6025A**	313*AV060135	1.03	0.97	CAP**6025A**	313*AV060135	1.03	0.97	CAP**6025A**	313*AV060135	1.03	0.97	CAP**6025A**	313*AV060135	1.03	0.97	CAP**6025A**	313*AV060135	1.03	0.97
CAP**6024A**		1.02	0.98	CSPH*6012A**	313*AV060135	1.03	0.97	CSPH*6012A**	313*AV060135	1.03	0.97	CSPH*6012A**	313*AV060135	1.03	0.97	CSPH*6012A**	313*AV060135	1.03	0.97	CSPH*6012A**	313*AV060135	1.03	0.97
CNPV*6024A**		1.02	0.98	CNPV*6024A**	313*AV060135	1.04	0.98	CNPV*6024A**	313*AV060135	1.04	0.98	CNPV*6024A**	313*AV060135	1.04	0.98	CNPV*6024A**	313*AV06						

DETAILED COOLING CAPACITIES# CONTINUED

* Tested combination.

† The kW values include the compressor, outdoor fan motor, and indoor blower motor. The kW from supplement heaters should be added to these values to obtain total system kilowatts.

‡ Sensible capacities shown are based on 80°F (27°C) entering air at the indoor coil. For sensible capacities at other than 80°F (27°C), deduct 835 Btuh (245 kW) per 1000 CFM (480 L/S) of indoor coil air for each degree below 80°F (27°C), or add 835 Btuh (245 kW) per 1000 CFM (480 L/S) of indoor coil air per degree above 80°F (27°C).

Detailed cooling capacities are based on indoor and outdoor unit at the same elevation per AHRI standard 210/240–2008. If additional tubing length and/or indoor unit is located above outdoor unit, a slight variation in capacity may occur.

** System kw is total of indoor and outdoor unit kilowatts.

†† At TVA rating indoor condition (75°F edb/63°F ewb). All other indoor air temperatures are at 80°F edb.

EWB — Entering Wet Bulb

NOTE: When the required data fall between the published data, interpolation may be performed. Extrapolation is not an acceptable practice.

HEAT PUMP HEATING PERFORMANCE CONTINUED

INDOOR AIR		OUTDOOR COIL ENTERING AIR TEMPERATURES ° F (° C)																							
		-3 (-19.4)			7 (-13.9)			17 (-8.3)			27 (-2.8)			37 (2.8)			47 (8.3)			57 (13.9)			67 (19.4)		
		EDB °F (°C)	CFM	Capacity MBtuh	Total Syst. KWt	Integ*	Capacity MBtuh	Total Syst. KWt	Integ*	Capacity MBtuh	Total Syst. KWt	Integ*	Capacity MBtuh	Total Syst. KWt	Integ*	Capacity MBtuh	Total Syst. KWt	Integ*	Capacity MBtuh	Total Syst. KWt	Integ*	Capacity MBtuh	Total Syst. KWt	Integ*	
65 (18.3)	700	8.38	7.71	1.36	11.07	10.18	1.44	14.28	13.02	1.52	17.14	15.23	1.57	20.39	18.56	1.63	24.08	24.08	1.72	28.29	28.29	1.86	32.83	32.83	2.02
	800	8.52	7.83	1.36	11.24	10.33	1.44	14.45	13.17	1.50	17.34	15.40	1.54	20.64	18.79	1.60	24.41	24.41	1.68	28.68	28.68	1.81	32.90	32.90	1.94
	900	8.64	7.95	1.37	11.39	10.47	1.44	14.59	13.30	1.49	17.50	15.54	1.53	20.85	18.98	1.58	24.67	24.67	1.66	28.96	28.96	1.77	32.79	32.79	1.88
70 (21.1)	700	7.98	7.35	1.42	10.69	9.83	1.51	13.97	12.74	1.59	16.84	14.96	1.65	20.05	18.24	1.71	23.68	23.68	1.81	27.81	27.81	1.95	32.46	32.46	2.13
	800	8.12	7.47	1.43	10.86	9.98	1.51	14.15	12.90	1.58	17.04	15.13	1.63	20.30	18.47	1.68	24.00	24.00	1.77	28.21	28.21	1.90	32.56	32.56	2.04
	900	8.24	7.58	1.43	11.00	10.11	1.51	14.30	13.04	1.57	17.21	15.28	1.61	20.50	18.66	1.66	24.26	24.26	1.74	28.53	28.53	1.87	32.53	32.53	1.98
75 (23.9)	700	7.57	6.97	1.49	10.29	9.46	1.59	13.23	12.06	1.66	16.55	14.70	1.73	19.70	17.93	1.80	23.28	23.28	1.90	27.36	27.36	2.04	31.99	31.99	2.24
	800	7.71	7.09	1.50	10.46	9.61	1.58	13.44	12.26	1.65	16.74	14.87	1.71	19.94	18.15	1.77	23.59	23.59	1.86	27.76	27.76	1.99	32.27	32.27	2.15
	900	7.82	7.19	1.50	10.60	9.74	1.58	13.66	12.45	1.64	16.91	15.02	1.70	20.15	18.33	1.75	23.85	23.85	1.83	28.05	28.05	1.96	32.25	32.25	2.08

215BNAQ24***A Outdoor Section With FX4DNF025 Indoor Section

HEATING INDOOR MODEL	CAPACITY	POWER	FURNACE MODEL		HEATING INDOOR MODEL	CAPACITY	POWER	FURNACE MODEL		HEATING INDOOR MODEL	CAPACITY	POWER	FURNACE MODEL	
			Total	Integ*				Total	Integ*				Total	Integ*
*FX4DNF025	1.00	1.00	FV4CNF024	1.00	CNPV*3014A**	1.00	1.04	315(A-J)AV036070	1.00	CNPV*3017A**	1.00	0.98	353(A-B)AV036080	1.00
FB4CNF024	1.00	1.04	FV4CNF024	1.00	CSPH*2412A**	1.00	1.03	315(A-J)AV036070	1.00	CNPV*3117A**	1.00	0.93	353(A-B)AV036080	1.00
FB4CNF030	1.00	1.00	FV4CNF030	1.00	CSPH*3012A**	1.00	1.04	315(A-J)AV036070	1.00	CSPH*2412A**	1.00	1.00	353(A-B)AV036080	1.00
FE4ANIB.F1003	1.00	1.00	FV4ANIB.F1003	1.00	CAP**2417A**	1.00	1.04	315(A-J)AV048090	1.00	CSPH*3012A**	1.00	0.98	353(A-B)AV036080	1.00
FE4ANF002	1.00	1.00	FE4ANF002	1.00	CAP**3017A**	1.00	1.03	315(A-J)AV048090	1.00	CAP**2417A**	1.00	1.00	353(A-B)AV036080	1.00
FF1ENP024	1.00	1.08	FF1ENP024	1.00	CNPV*2417A**	1.00	1.02	315(A-J)AV048090	1.00	CAP**3017A**	1.00	0.99	353(A-B)AV036080	1.00
FF1ENP025	1.00	1.02	FF1ENP025	1.00	CNPV*3017A**	1.00	1.02	315(A-J)AV048090	1.00	CNPV*2417A**	1.00	1.00	353(A-B)AV036080	1.00
FF1ENP030	1.00	1.08	FF1ENP030	1.00	CNPV*2417A**	1.00	1.02	315(A-J)AV048090	1.00	CNPV*3017A**	1.00	0.99	353(A-B)AV036080	1.00
FF1ENP031	1.00	1.03	FF1ENP031	1.00	CNPV*3017A**	1.00	1.02	315(A-J)AV048090	1.00	CNPV*2417A**	1.00	1.00	353(A-B)AV036080	1.00
FF1ENP037	1.00	1.01	FF1ENP037	1.00	CNPV*3117A**	1.00	0.98	315(A-J)AV048090	1.00	CNPV*3017A**	1.00	0.99	353(A-B)AV036080	1.00
FV4BNIB.F1003	1.00	1.00	FV4BNIB.F1003	1.00	CSPH*2412A**	1.00	1.02	315(A-J)AV048090	1.00	CNPV*3117A**	1.00	0.94	353(A-B)AV036080	1.00
FV4BNF002	1.00	1.00	FV4BNF002	1.00	CSPH*3012A**	1.00	1.03	315(A-J)AV048090	1.00	CSPH*2412A**	1.00	1.01	353(A-B)AV036080	1.00
FV4CNB.F1003	1.00	1.00	FV4CNB.F1003	1.00	CNPV*2417A**	1.00	1.02	315(A-J)AV060110	1.00	CSPH*3012A**	1.00	1.00	353(A-B)AV036080	1.00
FV4CNF024	1.00	1.00	FV4CNF024	1.00	CNPV*3017A**	1.00	1.03	315(A-J)AV060110	1.00	CAP**2417A**	1.00	1.01	355(A-C)AV042080	1.00
FV4CNF024	1.00	1.02	FV4CNF024	1.00	CSPH*2412A**	1.00	1.03	315(A-J)AV060110	1.00	CAP**3017A**	1.00	1.00	355(A-C)AV042080	1.00
FV4CNF030	1.00	1.03	FV4CNF030	1.00	CSPH*3012A**	1.00	1.03	315(A-J)AV060110	1.00	CNPV*2417A**	1.00	1.00	355(A-C)AV042080	1.00
FX4DNB.F1031	1.00	1.00	FX4DNB.F1031	1.00	CNPV*2417A**	1.00	1.02	315(A-J)AV066135	1.00	CNPV*3017A**	1.00	1.00	355(A-C)AV042080	1.00
FV4ANF024	1.00	1.09	FV4ANF024	1.00	CNPV*3017A**	1.00	1.02	315(A-J)AV066135	1.00	CNPV*2417A**	1.00	1.00	355(A-C)AV042080	1.00
FV4ANF030	1.00	1.06	FV4ANF030	1.00	CSPH*2412A**	1.00	1.02	315(A-J)AV066135	1.00	CNPV*3017A**	1.00	1.00	355(A-C)AV042080	1.00
FV5BNF024	1.00	1.04	FV5BNF024	1.00	CSPH*3012A**	1.00	1.03	315(A-J)AV066135	1.00	CNPV*3117A**	1.00	0.96	355(A-C)AV042080	1.00
FV5BNF030	1.00	1.02	FV5BNF030	1.00	CNPV*2417A**	1.00	1.02	315(A-J)AV066155	1.00	CSPH*2412A**	1.00	1.00	355(A-C)AV042080	1.00
CAP**2414A**	1.00	1.06	CAP**2414A**	1.00	CNPV*3017A**	1.00	1.02	315(A-J)AV066155	1.00	CSPH*3012A**	1.00	1.00	355(A-C)AV042080	1.00
CAP**2417A**	1.00	1.06	CAP**2417A**	1.00	CSPH*2412A**	1.00	1.02	315(A-J)AV066155	1.00	CNPV*2417A**	1.00	1.03	355(A-C)AV042080	1.00
CAP**3014A**	1.00	1.06	CAP**3014A**	1.00	CSPH*3012A**	1.00	1.02	315(A-J)AV066155	1.00	CNPV*3017A**	1.00	1.00	355(A-C)AV042080	1.00
CAP**3017A**	1.00	1.06	CAP**3017A**	1.00	CAP**3619A**	1.00	1.01	359BAV036040	1.00	CSPH*2412A**	1.00	1.03	355(A-C)AV042080	1.00
CNPF*2418A**	1.00	1.04	CNPF*2418A**	1.00	CAP**3619A**	1.00	0.99	359BAV036080	1.00	CSPH*3012A**	1.00	1.03	355(A-C)AV042080	1.00
CNPF*2417A**	1.00	1.05	CNPF*2417A**	1.00	CAP**2417A**	1.00	1.00	353(A-B)AV036040	1.00	CNPV*2417A**	1.00	1.04	355(A-C)AV060080	1.00
CNPH*3017A**	1.00	1.04	CNPH*3017A**	1.00	CAP**3017A**	1.00	0.98	353(A-B)AV036040	1.00	CNPV*3017A**	1.00	1.05	355(A-C)AV060080	1.00
CNPH*2414A**	1.00	1.04	CNPH*2414A**	1.00	CNPV*2417A**	1.00	0.99	353(A-B)AV036040	1.00	CSPH*2412A**	1.00	1.05	355(A-C)AV060080	1.00
CNPH*2417A**	1.00	1.04	CNPH*2417A**	1.00	CNPV*3017A**	1.00	0.98	353(A-B)AV036040	1.00	CSPH*3012A**	1.00	1.05	355(A-C)AV060080	1.00
CNPH*3014A**	1.00	1.05	CNPH*3014A**	1.00	CNPV*2417A**	1.00	0.99	353(A-B)AV036040	1.00	CNPV*2417A**	1.00	1.02	355(A-C)AV060100	1.00
CNPH*3017A**	1.00	1.05	CNPH*3017A**	1.00	CNPV*3017A**	1.00	0.98	353(A-B)AV036040	1.00	CNPV*3017A**	1.00	1.03	355(A-C)AV060100	1.00
CNPH*3117A**	1.00	1.01	CNPH*3117A**	1.00	CNPV*3117A**	1.00	0.93	353(A-B)AV036040	1.00	CSPH*2412A**	1.00	1.03	355(A-C)AV060100	1.00
CSPH*2412A**	1.00	1.04	CSPH*2412A**	1.00	CSPH*3012A**	1.00	1.00	353(A-B)AV036040	1.00	CSPH*3012A**	1.00	1.03	355(A-C)AV060120	1.00
CSPH*3012A**	1.00	1.05	CSPH*3012A**	1.00	CSPH*2417A**	1.00	0.99	353(A-B)AV036040	1.00	CNPV*2417A**	1.00	1.01	355(A-C)AV060120	1.00
CAP**2414A**	1.00	1.05	CAP**2414A**	1.00	CAP**2417A**	1.00	0.99	353(A-B)AV036060	1.00	CNPV*3017A**	1.00	1.02	355(A-C)AV060120	1.00
CAP**3014A**	1.00	1.04	CAP**3014A**	1.00	CAP**3017A**	1.00	0.98	353(A-B)AV036060	1.00	CSPH*2412A**	1.00	1.01	355(A-C)AV060120	1.00
CNPH*2417A**	1.00	1.03	CNPH*2417A**	1.00	CNPV*2417A**	1.00	0.99	353(A-B)AV036060	1.00	CNPV*2417A**	1.00	1.02	355(A-C)AV060120	1.00
CNPH*3017A**	1.00	1.03	CNPH*3017A**	1.00	CNPV*3017A**	1.00	0.98	353(A-B)AV036060	1.00	CNPV*3017A**	1.00	1.02	355(A-C)AV060120	1.00
CNPV*2414A**	1.00	1.03	CNPV*2414A**	1.00	CNPV*2417A**	1.00	0.98	353(A-B)AV036060	1.00	CNPV*2417A**	1.00	1.02	355(A-C)AV060120	1.00
CNPV*3017A**	1.00	1.03	CNPV*3017A**	1.00	CNPV*3017A**	1.00	0.98	353(A-B)AV036060	1.00	CNPV*3017A**	1.00	1.02	355(A-C)AV060120	1.00
CNPV*2414A**	1.00	1.03	CNPV*2414A**	1.00	CNPV*2417A**	1.00	0.99	353(A-B)AV036060	1.00	CNPV*2417A**	1.00	1.03	355(A-C)AV060120	1.00

215B

HEAT PUMP HEATING PERFORMANCE CONTINUED

215BNA024***A Outdoor Section With FX4DNF025 Indoor Section

HEATING INDOOR MODEL	CAPACITY	POWER	FURNACE MODEL	HEATING INDOOR MODEL	CAPACITY	POWER	FURNACE MODEL
CSPH*2412A**	1.00	1.03	355AAV042040	CNPV*3117A**	1.00	0.99	986*A42060V17***
CSPH*3012A**	1.00	1.03	355AAV042040	CNPV*2417A**	1.00	1.04	986*A42060V17***
CAP**2414A**	1.00	1.03	313*AV024045	CNPV*3017A**	1.00	1.03	986*A42060V17***
CAP**3014A**	1.00	1.02	313*AV024045	CNPV*3117A**	1.00	0.99	986*A42060V17***
CNPV*2417A**	1.00	1.02	313*AV024045	CAP**2417A**	1.00	1.04	986*A48080V17***
CNPV*3017A**	1.00	1.01	313*AV024045	CAP**3017A**	1.00	1.02	986*A48080V17***
CNPV*2414A**	1.00	1.02	313*AV024045	CSPH*2412A**	1.00	1.04	986*A48080V17***
CNPV*3014A**	1.00	1.03	313*AV024045	CSPH*3012A**	1.00	1.02	986*A48080V17***
CSPH*2412A**	1.00	1.02	313*AV024045	CNPV*2417A**	1.00	1.03	986*A48080V17***
CSPH*3012A**	1.00	1.02	313*AV024045	CNPV*3017A**	1.00	1.02	986*A48080V17***
CAP**2414A**	1.00	1.06	925*A30040E14***	CNPV*3117A**	1.00	0.97	986*A48080V17***
CAP**3014A**	1.00	1.05	925*A30040E14***	CNPV*2417A**	1.00	1.03	986*A48080V17***
CAP**3014A**	1.00	1.05	925*A30040E14***	CNPV*3017A**	1.00	1.02	986*A48080V17***
CAP**3017A**	1.00	1.04	925*A30040E14***	CNPV*3117A**	1.00	0.97	986*A48080V17***
CSPH*2412A**	1.00	1.04	925*A30040E14***	CSPH*2412A**	1.00	1.07	986*A48100V21***
CSPH*3012A**	1.00	1.03	925*A30040E14***	CSPH*3012A**	1.00	1.03	986*A48100V21***
CNPV*2414A**	1.00	1.04	925*A30040E14***	CNPV*2417A**	1.00	1.03	986*A66120V24***
CNPV*2417A**	1.00	1.04	925*A30040E14***	CNPV*3017A**	1.00	1.01	986*A66120V24***
CNPV*3014A**	1.00	1.05	925*A30040E14***	CNPV*3117A**	1.00	1.03	986*A66120V24***
CNPV*3017A**	1.00	1.04	925*A30040E14***	CAP**2417A**	1.00	1.05	987*A42060V17***
CNPV*3117A**	1.00	0.99	925*A30040E14***	CAP**3017A**	1.00	1.04	987*A42060V17***
CNPV*2417A**	1.00	1.04	925*A30040E14***	CSPH*2412A**	1.00	1.05	987*A42060V17***
CNPV*3017A**	1.00	1.04	925*A30040E14***	CSPH*3012A**	1.00	1.02	987*A42060V17***
CNPV*3117A**	1.00	1.04	925*A30040E14***	CNPV*2417A**	1.00	1.03	987*A42060V17***
CNPV*2417A**	1.00	0.99	925*A30040E14***	CNPV*3017A**	1.00	1.04	987*A42060V17***
CNPV*2417A**	1.00	1.04	925*A42060E17***	CNPV*3117A**	1.00	0.99	987*A42060V17***
CNPV*3017A**	1.00	1.03	925*A42060E17***	CAP**2417A**	1.00	1.05	987*A42080V17***
CSPH*2412A**	1.00	1.05	925*A42060E17***	CAP**3017A**	1.00	1.05	987*A42080V17***
CSPH*3012A**	1.00	1.02	925*A42060E17***	CSPH*2412A**	1.00	1.04	987*A42080V17***
CNPV*2417A**	1.00	1.04	925*A42060E17***	CNPV*2417A**	1.00	1.03	987*A42080V17***
CNPV*3017A**	1.00	1.03	925*A42060E17***	CNPV*3017A**	1.00	1.04	987*A42080V17***
CNPV*3117A**	1.00	0.98	925*A42060E17***	CNPV*3117A**	1.00	0.99	987*A42080V17***
CNPV*2417A**	1.00	1.04	925*A42060E17***	CNPV*2417A**	1.00	1.03	987*A42080V17***
CNPV*3017A**	1.00	1.04	925*A42060E17***	CNPV*3017A**	1.00	1.04	987*A42080V17***
CNPV*3117A**	1.00	1.03	925*A42060E17***	CNPV*3117A**	1.00	1.04	987*A42080V17***
CAP**2414A**	1.00	0.98	986*A30040V14***	CNPV*2417A**	1.00	1.04	987*A42080V17***
CAP**2417A**	1.00	1.07	986*A30040V14***	CNPV*3017A**	1.00	1.04	987*A42080V17***
CAP**3014A**	1.00	1.06	986*A30040V14***	CNPV*3117A**	1.00	1.04	987*A42080V17***
CAP**3017A**	1.00	1.06	986*A30040V14***	CNPV*2417A**	1.00	1.04	987*A42080V17***
CSPH*2412A**	1.00	1.07	986*A30040V14***	CNPV*3017A**	1.00	1.04	987*A42080V17***
CSPH*3012A**	1.00	1.05	986*A30040V14***	CNPV*3117A**	1.00	1.04	987*A42080V17***
CNPV*2414A**	1.00	1.06	986*A30040V14***	CNPV*2417A**	1.00	1.04	987*A42080V17***
CNPV*2417A**	1.00	1.07	986*A30040V14***	CNPV*3017A**	1.00	1.04	987*A42080V17***
CNPV*3014A**	1.00	1.07	986*A30040V14***	CNPV*3117A**	1.00	1.04	987*A42080V17***
CNPV*3017A**	1.00	1.01	986*A30040V14***	CNPV*2417A**	1.00	1.01	987*A60100V21***
CNPV*3117A**	1.00	1.06	986*A30040V14***	CNPV*3017A**	1.00	1.01	987*A60100V21***
CNPV*2417A**	1.00	1.06	986*A30040V14***	CNPV*3117A**	1.00	1.02	987*A60100V21***
CNPV*3017A**	1.00	1.01	986*A30040V14***	CNPV*2417A**	1.00	1.02	987*A60100V21***
CNPV*3117A**	1.00	1.06	986*A30040V14***	CNPV*3017A**	1.00	1.02	987*A60100V21***
CNPV*2417A**	1.00	1.05	986*A42060V17***	CNPV*3117A**	1.00	0.97	987*A60100V21***
CNPV*3017A**	1.00	1.03	986*A42060V17***	CSPH*2412A**	1.00	1.02	987*A66120V24***
CNPV*3117A**	1.00	1.03	986*A42060V17***	CSPH*3012A**	1.00	1.02	987*A66120V24***
CNPV*2417A**	1.00	1.04	986*A42060V17***	CNPV*2417A**	1.00	1.02	987*A66120V24***
CNPV*3017A**	1.00	1.04	986*A42060V17***	CNPV*3017A**	1.00	1.02	987*A66120V24***
CNPV*3117A**	1.00	1.03	986*A42060V17***	CNPV*3117A**	1.00	1.02	987*A66120V24***
CNPV*2417A**	1.00	1.04	986*A42060V17***	CNPV*2417A**	1.00	0.98	987*A66120V24***
CNPV*3017A**	1.00	1.03	986*A42060V17***	CNPV*3017A**	1.00	1.02	987*A66120V24***
CNPV*3117A**	1.00	1.03	986*A42060V17***	CNPV*3117A**	1.00	1.02	987*A66120V24***

See note on pg. 70

HEAT PUMP HEATING PERFORMANCE CONTINUED

215BNA030****A Outdoor Section With FX4DNF031 Indoor Section

HEATING INDOOR MODEL	CAPACITY	POWER	FURNACE MODEL
CNPV*3717A**	1.00	0.97	987*A42080V17***
CNPV*3617A**	0.99	1.03	987*A42080V17***
CNPH*3017A**	0.99	1.03	987*A42080V17***
CNPH*3117A**	1.00	1.00	987*A42080V17***
CNPH*3617A**	0.99	1.03	987*A42080V17***
CAP**3621A**	0.99	1.01	987*A60100V21***
CAP**3619A**	0.99	1.02	987*A60100V21***
CSPH*3012A**	1.00	1.02	987*A60100V21***
CSPH*3612A**	1.00	1.00	987*A60100V21***
CNPV*3621A**	0.99	1.02	987*A60100V21***
CNPH*3017A**	0.99	1.02	987*A60100V21***
CNPH*3117A**	1.00	0.99	987*A60100V21***
CNPH*3617A**	0.99	1.02	987*A60100V21***
CSPH*3012A**	0.99	1.01	987*A66120V24***
CSPH*3612A**	0.99	0.99	987*A66120V24***
CNPH*3017A**	0.99	1.02	987*A66120V24***
CNPH*3117A**	1.00	0.99	987*A66120V24***
CNPH*3617A**	0.99	1.02	987*A66120V24***

See note on pg. 70

HEAT PUMP HEATING PERFORMANCE CONTINUED

INDOOR AIR		OUTDOOR COIL ENTERING AIR TEMPERATURES ° F (° C)																							
		-3 (-19.4)			7 (-13.9)			17 (-8.3)			27 (-2.8)			37 (2.8)			47 (8.3)			57 (13.9)			67 (19.4)		
EDB °F (°C)	CFM	Capacity MBtuh		Total Syst. KWt	Capacity MBtuh		Total Syst. KWt	Capacity MBtuh		Total Syst. KWt	Capacity MBtuh		Total Syst. KWt	Capacity MBtuh		Total Syst. KWt	Capacity MBtuh		Total Syst. KWt	Capacity MBtuh		Total Syst. KWt	Capacity MBtuh		Total Syst. KWt
		Total	Integ*		Total	Integ*		Total	Integ*		Total	Integ*		Total	Integ*		Total	Integ*		Total	Integ*		Total	Integ*	
65 (18.3)	1050	11.44	10.52	1.97	15.33	14.09	2.06	19.61	17.88	2.15	24.41	22.68	2.26	29.99	27.29	2.39	35.11	35.11	2.52	40.74	40.74	2.66	46.35	46.35	2.78
	1200	11.66	10.73	1.98	15.60	14.34	2.06	19.93	18.17	2.15	24.85	22.07	2.24	30.35	27.82	2.36	35.57	35.57	2.47	41.14	41.14	2.57	46.50	46.50	2.69
	1350	11.86	10.91	2.00	15.83	14.55	2.07	20.21	18.42	2.15	25.78	22.90	2.25	30.66	27.90	2.34	35.94	35.94	2.44	41.32	41.32	2.53	46.51	46.51	2.63
70 (21.1)	1050	10.73	9.87	2.07	14.64	13.45	2.16	18.94	17.26	2.25	23.71	21.05	2.36	29.52	26.86	2.51	34.56	34.56	2.63	40.20	40.20	2.78	45.76	45.76	2.91
	1200	10.95	10.08	2.08	14.91	13.70	2.16	19.26	17.56	2.25	24.10	21.41	2.35	29.87	27.19	2.47	35.00	35.00	2.59	40.60	40.60	2.70	45.95	45.95	2.82
	1350	11.15	10.26	2.09	15.15	13.92	2.17	19.53	17.81	2.25	24.44	21.70	2.34	30.17	27.46	2.45	35.37	35.37	2.56	40.83	40.83	2.65	46.01	46.01	2.76
75 (23.9)	1050	9.98	9.19	2.17	13.92	12.79	2.26	18.23	16.62	2.36	22.97	20.40	2.47	28.97	26.36	2.63	34.00	34.00	2.76	39.58	39.58	2.92	45.14	45.14	3.04
	1200	10.20	9.38	2.18	14.18	13.03	2.26	18.55	16.92	2.35	23.37	20.76	2.45	29.35	26.71	2.59	34.43	34.43	2.71	40.10	40.10	2.84	45.39	45.39	2.95
	1350	10.39	9.55	2.19	14.41	13.25	2.27	18.82	17.16	2.35	23.70	21.05	2.45	29.66	26.99	2.57	34.80	34.80	2.68	40.32	40.32	2.78	45.49	45.49	2.89

215BNA03S***A Outdoor Section With FX4DNF037 Indoor Section

HEATING INDOOR MODEL	CAPACITY		POWER	CAPACITY		POWER	CAPACITY		POWER	CAPACITY		POWER	CAPACITY		POWER	CAPACITY		POWER
	Total	Integ*		Total	Integ*		Total	Integ*		Total	Integ*		Total	Integ*		Total	Integ*	
CAP**3617A**	0.98	0.98	1.03	0.98	0.98	1.03	0.98	0.98	1.03	0.98	0.98	1.03	0.98	0.98	1.03	0.98	0.98	1.03
CNPV*3617A**	0.98	0.98	1.04	0.98	0.98	1.04	0.98	0.98	1.04	0.98	0.98	1.04	0.98	0.98	1.04	0.98	0.98	1.04
CNPV*3617A**	0.98	0.98	1.04	0.98	0.98	1.04	0.98	0.98	1.04	0.98	0.98	1.04	0.98	0.98	1.04	0.98	0.98	1.04
CNPV*3617A**	0.98	0.98	1.04	0.98	0.98	1.04	0.98	0.98	1.04	0.98	0.98	1.04	0.98	0.98	1.04	0.98	0.98	1.04
CNPV*3617A**	0.98	0.98	1.04	0.98	0.98	1.04	0.98	0.98	1.04	0.98	0.98	1.04	0.98	0.98	1.04	0.98	0.98	1.04
CNPV*3617A**	0.98	0.98	1.04	0.98	0.98	1.04	0.98	0.98	1.04	0.98	0.98	1.04	0.98	0.98	1.04	0.98	0.98	1.04
CNPV*3617A**	0.98	0.98	1.04	0.98	0.98	1.04	0.98	0.98	1.04	0.98	0.98	1.04	0.98	0.98	1.04	0.98	0.98	1.04
CNPV*3617A**	0.98	0.98	1.04	0.98	0.98	1.04	0.98	0.98	1.04	0.98	0.98	1.04	0.98	0.98	1.04	0.98	0.98	1.04
CNPV*3617A**	0.98	0.98	1.04	0.98	0.98	1.04	0.98	0.98	1.04	0.98	0.98	1.04	0.98	0.98	1.04	0.98	0.98	1.04
CNPV*3617A**	0.98	0.98	1.04	0.98	0.98	1.04	0.98	0.98	1.04	0.98	0.98	1.04	0.98	0.98	1.04	0.98	0.98	1.04
CNPV*3617A**	0.98	0.98	1.04	0.98	0.98	1.04	0.98	0.98	1.04	0.98	0.98	1.04	0.98	0.98	1.04	0.98	0.98	1.04
CNPV*3617A**	0.98	0.98	1.04	0.98	0.98	1.04	0.98	0.98	1.04	0.98	0.98	1.04	0.98	0.98	1.04	0.98	0.98	1.04
CNPV*3617A**	0.98	0.98	1.04	0.98	0.98	1.04	0.98	0.98	1.04	0.98	0.98	1.04	0.98	0.98	1.04	0.98	0.98	1.04
CNPV*3617A**	0.98	0.98	1.04	0.98	0.98	1.04	0.98	0.98	1.04	0.98	0.98	1.04	0.98	0.98	1.04	0.98	0.98	1.04
CNPV*3617A**	0.98	0.98	1.04	0.98	0.98	1.04	0.98	0.98	1.04	0.98	0.98	1.04	0.98	0.98	1.04	0.98	0.98	1.04
CNPV*3617A**	0.98	0.98	1.04	0.98	0.98	1.04	0.98	0.98	1.04	0.98	0.98	1.04	0.98	0.98	1.04	0.98	0.98	1.04
CNPV*3617A**	0.98	0.98	1.04	0.98	0.98	1.04	0.98	0.98	1.04	0.98	0.98	1.04	0.98	0.98	1.04	0.98	0.98	1.04
CNPV*3617A**	0.98	0.98	1.04	0.98	0.98	1.04	0.98	0.98	1.04	0.98	0.98	1.04	0.98	0.98	1.04	0.98	0.98	1.04
CNPV*3617A**	0.98	0.98	1.04	0.98	0.98	1.04	0.98	0.98	1.04	0.98	0.98	1.04	0.98	0.98	1.04	0.98	0.98	1.04
CNPV*3617A**	0.98	0.98	1.04	0.98	0.98	1.04	0.98	0.98	1.04	0.98	0.98	1.04	0.98	0.98	1.04	0.98	0.98	1.04
CNPV*3617A**	0.98	0.98	1.04	0.98	0.98	1.04	0.98	0.98	1.04	0.98	0.98	1.04	0.98	0.98	1.04	0.98	0.98	1.04
CNPV*3617A**	0.98	0.98	1.04	0.98	0.98	1.04	0.98	0.98	1.04	0.98	0.98	1.04	0.98	0.98	1.04	0.98	0.98	1.04
CNPV*3617A**	0.98	0.98	1.04	0.98	0.98	1.04	0.98	0.98	1.04	0.98	0.98	1.04	0.98	0.98	1.04	0.98	0.98	1.04
CNPV*3617A**	0.98	0.98	1.04	0.98	0.98	1.04	0.98	0.98	1.04	0.98	0.98	1.04	0.98	0.98	1.04	0.98	0.98	1.04
CNPV*3617A**	0.98	0.98	1.04	0.98	0.98	1.04	0.98	0.98	1.04	0.98	0.98	1.04	0.98	0.98	1.04	0.98	0.98	1.04
CNPV*3617A**	0.98	0.98	1.04	0.98	0.98	1.04	0.98	0.98	1.04	0.98	0.98	1.04	0.98	0.98	1.04	0.98	0.98	1.04
CNPV*3617A**	0.98	0.98	1.04	0.98	0.98	1.04	0.98	0.98	1.04	0.98	0.98	1.04	0.98	0.98	1.04	0.98	0.98	1.04
CNPV*3617A**	0.98	0.98	1.04	0.98	0.98	1.04	0.98	0.98	1.04	0.98	0.98	1.04	0.98	0.98	1.04	0.98	0.98	1.04
CNPV*3617A**	0.98	0.98	1.04	0.98	0.98	1.04	0.98	0.98	1.04	0.98	0.98	1.04	0.98	0.98	1.04	0.98	0.98	1.04
CNPV*3617A**	0.98	0.98	1.04	0.98	0.98	1.04	0.98	0.98	1.04	0.98	0.98	1.04	0.98	0.98	1.04	0.98	0.98	1.04
CNPV*3617A**	0.98	0.98	1.04	0.98	0.98	1.04	0.98	0.98	1.04	0.98	0.98	1.04	0.98	0.98	1.04	0.98	0.98	1.04
CNPV*3617A**	0.98	0.98	1.04	0.98	0.98	1.04	0.98	0.98	1.04	0.98	0.98	1.04	0.98	0.98	1.04	0.98	0.98	1.04
CNPV*3617A**	0.98	0.98	1.04	0.98	0.98	1.04	0.98	0.98	1.04	0.98	0.98	1.04	0.98	0.98	1.04	0.98	0.98	1.04
CNPV*3617A**	0.98	0.98	1.04	0.98	0.98	1.04	0.98	0.98	1.04	0.98	0.98	1.04	0.98	0.98	1.04	0.98	0.98	1.04
CNPV*3617A**	0.98	0.98	1.04	0.98	0.98	1.04	0.98	0.98	1.04	0.98	0.98	1.04	0.98	0.98	1.04	0.98	0.98	1.04
CNPV*3617A**	0.98	0.98	1.04	0.98	0.98	1.04	0.98	0.98	1.04	0.98	0.98	1.04	0.98	0.98	1.04	0.98	0.98	1.04
CNPV*3617A**	0.98	0.98	1.04	0.98	0.98	1.04	0.98	0.98	1.04	0.98	0.98	1.04	0.98	0.98	1.04	0.98	0.98	1.04
CNPV*3617A**	0.98	0.98	1.04	0.98	0.98	1.04	0.98	0.98	1.04	0.98	0.98	1.04	0.98	0.98	1.04	0.98	0.98	1.04
CNPV*3617A**	0.98	0.98	1.04	0.98	0.98	1.04	0.98	0.98	1.04	0.98	0.98	1.04	0.98	0.98	1.04	0.98	0.98	1.04
CNPV*3617A**	0.98	0.98	1.04	0.98	0.98	1.04	0.98	0.98	1.04	0.98	0.98	1.04	0.98	0.98	1.04	0.98	0.98	1.04
CNPV*3617A**	0.98	0.98	1.04	0.98	0.98	1.04	0.98	0.98	1.04	0.98	0.98	1.04	0.98	0.98	1.04	0.98	0.98	1.04
CNPV*3617A**	0.98	0.98	1.04	0.98	0.98	1.04	0.98	0.98	1.04	0.98	0.98	1.04	0.98	0.98	1.04	0.98	0.98	1.04
CNPV*3617A**	0.98	0.98	1.04	0.98	0.98	1.04	0.98	0.98	1.04	0.98	0.98	1.04	0.98	0.98	1.04	0.98	0.98	1.04
CNPV*3617A**	0.98	0.98	1.04	0.98	0.98	1.04	0.98	0.98	1.04	0.98	0.98	1.04	0.98	0.98	1.04	0.98	0.98	1.04
CNPV*3617A**	0.98	0.98	1.04	0.98	0.98	1.04	0.98	0.98	1.04	0.98	0.98	1.04	0.98	0.98	1.04	0.98	0.98	1.04
CNPV*3617A**	0.98	0.98	1.04	0.98	0.98	1.04	0.98	0.98	1.04	0.98	0.98	1.04	0.98	0.98	1.04	0.98	0.98	1.04
CNPV*3617A**	0.98	0.98	1.04	0.98	0.98	1.04	0.98	0.98	1.04	0.98	0.98	1.04	0.98	0.98	1.04	0.98	0.98	1.04
CNPV*3617A**	0.98	0.98	1.04	0.98	0.98	1.04	0.98	0.98	1.04	0.98	0.98	1.04	0.98	0.98	1.04	0.98	0.98	1.04
CNPV*3617A**	0.98	0.98	1.04	0.98	0.98	1.04	0.98	0.98	1.04	0.98								

HEAT PUMP HEATING PERFORMANCE CONTINUED

215BNA038***A Outdoor Section With FX4DNF037 Indoor Section

HEATING INDOOR MODEL	CAPACITY	POWER	FURNACE MODEL
CNPV*3717A**	0.99	1.03	987*A42060V17***
CNPV*3617A**	0.97	1.08	987*A42060V17***
CNPV*4221A**	0.98	1.06	987*A42060V17***
CNPV*4217A**	0.98	1.06	987*A42060V17***
CNPH*3617A**	0.97	1.08	987*A42060V17***
CNPH*4221A**	0.98	1.06	987*A42060V17***
CNPH*4321A**	0.99	1.03	987*A42060V17***
CAP**3617A**	0.97	1.06	987*A42080V17***
CAP**3621A**	0.97	1.06	987*A42080V17***
CAP**4221A**	0.97	1.05	987*A42080V17***
CAP**3619A**	0.97	1.06	987*A42080V17***
CAP**3619A**	0.97	1.06	987*A42080V17***
CSPH*3612A**	0.98	1.04	987*A42080V17***
CSPH*4212A**	0.98	1.03	987*A42080V17***
CNPV*3621A**	0.97	1.07	987*A42080V17***
CNPV*3717A**	0.99	1.01	987*A42080V17***
CNPV*3617A**	0.97	1.07	987*A42080V17***
CNPV*4221A**	0.98	1.05	987*A42080V17***
CNPV*4217A**	0.97	1.04	987*A42080V17***
CNPH*3617A**	0.97	1.07	987*A42080V17***
CNPH*4221A**	0.98	1.05	987*A42080V17***
CNPH*4321A**	0.98	1.01	987*A42080V17***
CAP**3621A**	0.97	1.05	987*A60100V21***
CAP**4221A**	0.98	1.04	987*A60100V21***
CAP**4224A**	0.98	1.04	987*A60100V21***
CAP**3619A**	0.97	1.05	987*A60100V21***
CSPH*3612A**	0.98	1.03	987*A60100V21***
CSPH*4212A**	0.98	1.02	987*A60100V21***
CNPV*3621A**	0.97	1.06	987*A60100V21***
CNPV*4324A**	0.99	1.00	987*A60100V21***
CNPV*4221A**	0.98	1.05	987*A60100V21***
CNPH*3617A**	0.98	1.07	987*A60100V21***
CNPH*4221A**	0.98	1.05	987*A60100V21***
CAP**4224A**	0.97	1.03	987*A66120V24***
CSPH*3612A**	0.98	1.02	987*A66120V24***
CSPH*4212A**	0.98	1.01	987*A66120V24***
CNPV*4324A**	0.98	0.99	987*A66120V24***
CNPH*3617A**	0.97	1.06	987*A66120V24***
CNPH*4221A**	0.98	1.04	987*A66120V24***
CNPH*4321A**	0.98	0.99	987*A66120V24***

See note on pg. 70

HEAT PUMP HEATING PERFORMANCE CONTINUED

INDOOR AIR		OUTDOOR COIL ENTERING AIR TEMPERATURES ° F (° C)																							
		-3 (-19.4)			7 (-13.9)			17 (-8.3)			27 (-2.8)			37 (2.8)			47 (8.3)			57 (13.9)			67 (19.4)		
		Capacity MBtuh		Total Syst. KWt	Capacity MBtuh		Total Syst. KWt	Capacity MBtuh		Total Syst. KWt	Capacity MBtuh		Total Syst. KWt	Capacity MBtuh		Total Syst. KWt	Capacity MBtuh		Total Syst. KWt	Capacity MBtuh		Total Syst. KWt	Capacity MBtuh		Total Syst. KWt
EDB ° F (° C)	CFM	Total	Integ*	Total	Integ*	Total	Integ*	Total	Integ*	Total	Integ*	Total	Integ*	Total	Integ*	Total	Integ*	Total	Integ*	Total	Integ*	Total	Integ*		
		65 (18.3)	1225	15.59	14.35	2.29	20.20	18.56	2.45	25.92	23.63	2.65	30.84	27.39	2.83	36.17	32.92	3.00	42.10	42.10	3.16	48.79	48.79	3.32	56.67
1400	15.85		14.58	2.30	20.53	18.87	2.46	26.26	23.95	2.65	31.19	27.70	2.82	36.63	33.33	2.97	42.66	42.66	3.12	49.49	49.49	3.26	57.34	57.34	3.36
1575	16.10		14.81	2.31	20.82	19.13	2.47	26.55	24.21	2.66	31.50	27.98	2.82	37.01	33.68	2.96	43.12	43.12	3.10	50.13	50.13	3.21	57.72	57.72	3.30
70 (21.1)	1225	14.91	13.71	2.42	19.56	17.97	2.58	24.56	22.39	2.75	30.36	26.97	2.95	35.61	32.40	3.12	41.46	41.46	3.29	48.00	48.00	3.46	55.78	55.78	3.61
	1400	15.19	13.98	2.43	19.88	18.27	2.58	24.89	22.73	2.74	30.71	27.27	2.94	36.05	32.81	3.09	42.00	42.00	3.25	48.69	48.69	3.40	56.54	56.54	3.51
	1575	15.44	14.20	2.45	20.17	18.54	2.59	25.36	23.13	2.75	31.04	27.56	2.93	33.15	30.08	3.08	42.45	42.45	3.22	49.27	49.27	3.37	56.99	56.99	3.45
75 (23.9)	1225	14.21	13.08	2.57	18.88	17.35	2.71	23.85	21.74	2.87	29.87	26.53	3.08	35.07	31.91	3.25	40.82	40.82	3.43	47.26	47.26	3.61	54.86	54.86	3.79
	1400	14.48	13.32	2.58	19.21	17.65	2.71	24.24	22.10	2.87	30.24	26.86	3.06	35.49	32.30	3.22	41.35	41.35	3.38	47.91	47.91	3.55	55.73	55.73	3.68
	1575	14.73	13.55	2.59	19.49	17.91	2.72	24.58	22.41	2.87	30.53	27.11	3.06	35.86	32.63	3.21	41.79	41.79	3.36	48.46	48.46	3.51	56.22	56.22	3.62

215BNA042***A Outdoor Section With FX4DNF043 Indoor Section

HEATING INDOOR MODEL	CAPACITY		POWER	FURNACE MODEL		HEATING INDOOR MODEL	CAPACITY		POWER	FURNACE MODEL	
	Total	Integ*		Total	Integ*		Total	Integ*		Total	Integ*
*FX4DN(B,F)043	1.00	1.00	1.00			CNPH*4221A**	1.01	1.06	1.06	315(A)-JAV048090	
FB4CNF042	1.01	1.02	1.02			CNPH*4821A**	1.01	1.02	1.02	315(A)-JAV048090	
FB4CNF048	1.01	1.01	1.01			CNPH*4217A**	1.01	1.04	1.04	315(A)-JAV048090	
FE4AN(B,F)003	1.01	1.05	1.05			CSPH*4212A**	1.01	1.02	1.02	315(A)-JAV048090	
FE4AN(B,F)005	1.01	0.99	0.99			CSPH*4812A**	1.01	1.01	1.01	315(A)-JAV048090	
FE4ANB006	1.01	0.96	0.96			CAP**4817A**	1.01	1.00	1.00	315(A)-JAV048090	
FE4ANB003	1.01	0.95	0.95			CAP**4221A**	1.01	1.05	1.05	315(A)-JAV060110	
FV4BN(B,F)005	1.01	0.99	0.99			CAP**4821A**	1.01	1.02	1.02	315(A)-JAV060110	
FV4BNB006	1.01	0.96	0.96			CNPH*4221A**	1.01	1.05	1.05	315(A)-JAV060110	
FV4CN(B,F)003	1.01	1.05	1.05			CNPH*4821A**	1.01	1.02	1.02	315(A)-JAV060110	
FV4CN(B,F)005	1.01	0.99	0.99			CNPV*4324A**	1.01	0.99	0.99	315(A)-JAV060110	
FV4CNB006	1.01	0.96	0.96			CNPV*4821A**	1.01	1.02	1.02	315(A)-JAV060110	
FX4CN(B,F)042	1.01	1.02	1.02			CSPH*4212A**	1.01	1.01	1.01	315(A)-JAV060110	
FX4CN(B,F)048	1.01	0.99	0.99			CSPH*4812A**	1.01	1.01	1.01	315(A)-JAV060110	
FX4DN(B,F)049	1.01	0.98	0.98			CAP**4224A**	1.00	1.03	1.03	315(A)-JAV066135	
FYAANF048	1.01	1.04	1.04			CAP**4824A**	1.01	1.01	1.01	315(A)-JAV066135	
FYAANF042	1.01	1.06	1.06			CNPH*4221A**	1.01	1.05	1.05	315(A)-JAV066135	
FY5BNF042	1.01	1.03	1.03			CNPH*4821A**	1.01	1.01	1.01	315(A)-JAV066135	
FY5BNF048	1.01	1.01	1.01			CNPV*4324A**	1.01	0.98	0.98	315(A)-JAV066135	
CAP**4221A**	1.01	1.07	1.07			CNPV*4824A**	1.01	1.01	1.01	315(A)-JAV066135	
CAP**4224A**	1.01	1.07	1.07			CSPH*4212A**	1.01	1.01	1.01	315(A)-JAV066135	
CAP**4817A**	1.01	1.02	1.02			CSPH*4812A**	1.01	1.00	1.00	315(A)-JAV066135	
CAP**4821A**	1.01	1.03	1.03			CAP**4224A**	1.00	1.03	1.03	315(A)-JAV066155	
CAP**4823A**	1.01	1.03	1.03			CAP**4824A**	1.01	1.01	1.01	315(A)-JAV066155	
CAP**4824A**	1.01	1.03	1.03			CNPH*4221A**	1.01	1.05	1.05	315(A)-JAV066155	
CNPF*4818A**	1.01	1.05	1.05			CNPH*4821A**	1.01	1.01	1.01	315(A)-JAV066155	
CNPH*4221A**	1.01	1.06	1.06			CNPH*4821A**	1.01	0.98	0.98	315(A)-JAV066155	
CNPH*4217A**	1.01	1.03	1.03			CNPV*4324A**	1.01	1.01	1.01	315(A)-JAV066155	
CNPH*4217A**	1.01	1.05	1.05			CNPV*4824A**	1.01	1.01	1.01	315(A)-JAV066155	
CNPH*4217A**	1.01	1.06	1.06			CSPH*4812A**	1.01	1.00	1.00	315(A)-JAV066155	
CNPH*4212A**	1.01	1.04	1.04			CAP**4823A**	1.01	1.01	1.01	359BAV060080	
CNPH*4212A**	1.01	1.03	1.03			CAP**4224A**	1.01	1.04	1.04	359BAV060100	
CNPH*4212A**	1.01	1.03	1.03			CNPH*4817A**	1.01	1.00	1.00	353(A)-BJA036040	
CNPH*4212A**	1.01	1.02	1.02			CNPH*4221A**	1.01	1.05	1.05	353(A)-BJA036040	
CNPH*4212A**	1.01	1.07	1.07			CNPH*4821A**	1.01	1.01	1.01	353(A)-BJA036040	
CNPH*4212A**	1.01	1.07	1.07			CNPH*4217A**	1.01	1.03	1.03	353(A)-BJA036040	
CNPH*4212A**	1.01	1.04	1.04			CNPH*4812A**	1.01	1.03	1.03	353(A)-BJA036040	
CNPH*4212A**	1.01	1.04	1.04			CNPH*4217A**	1.01	1.03	1.03	353(A)-BJA036040	
CNPH*4212A**	1.01	1.04	1.04			CNPH*4812A**	1.01	1.01	1.01	353(A)-BJA036040	
CNPH*4212A**	1.01	1.04	1.04			CNPH*4812A**	1.01	1.00	1.00	353(A)-BJA036040	
CNPH*4212A**	1.01	1.03	1.03			CNPH*4812A**	1.01	1.01	1.01	353(A)-BJA036060	
CNPH*4212A**	1.01	1.03	1.03			CNPH*4221A**	1.01	1.05	1.05	353(A)-BJA036060	

215B

HEAT PUMP HEATING PERFORMANCE CONTINUED

215BN4042***A Outdoor Section With FX4DNF043 Indoor Section

HEATING INDOOR MODEL	CAPACITY	POWER	FURNACE MODEL
CAP**4221A**	1.01	1.09	987*A42060V17***
CAP**4817A**	1.01	1.05	987*A42060V17***
CAP**4821A**	1.01	1.06	987*A42060V17***
CSPH*4212A**	1.01	1.06	987*A42060V17***
CSPH*4812A**	1.01	1.05	987*A42060V17***
CNPV*4221A**	1.01	1.09	987*A42060V17***
CNPV*4821A**	1.01	1.06	987*A42060V17***
CNPV*4217A**	1.01	1.08	987*A42060V17***
CNPV*4221A**	1.01	1.09	987*A42060V17***
CNPV*4321A**	1.01	1.03	987*A42060V17***
CNPV*4821A**	1.01	1.06	987*A42060V17***
CAP**4221A**	1.01	1.08	987*A42080V17***
CAP**4817A**	1.01	1.04	987*A42080V17***
CAP**4821A**	1.01	1.05	987*A42080V17***
CSPH*4212A**	1.01	1.05	987*A42080V17***
CSPH*4812A**	1.01	1.04	987*A42080V17***
CNPV*4221A**	1.01	1.08	987*A42080V17***
CNPV*4821A**	1.01	1.04	987*A42080V17***
CNPV*4217A**	1.01	1.07	987*A42080V17***
CNPV*4221A**	1.01	1.08	987*A42080V17***
CNPV*4321A**	1.01	1.02	987*A42080V17***
CNPV*4821A**	1.01	1.04	987*A42080V17***
CAP**4221A**	1.01	1.07	987*A60100V21***
CAP**4224A**	1.01	1.07	987*A60100V21***
CAP**4821A**	1.01	1.04	987*A60100V21***
CAP**4824A**	1.01	1.04	987*A60100V21***
CAP**4823A**	1.01	1.04	987*A60100V21***
CAP**4823A**	1.01	1.04	987*A60100V21***
CSPH*4212A**	1.01	1.04	987*A60100V21***
CSPH*4812A**	1.01	1.03	987*A60100V21***
CNPV*4324A**	1.01	1.01	987*A60100V21***
CNPV*4824A**	1.01	1.04	987*A60100V21***
CNPV*4221A**	1.01	1.07	987*A60100V21***
CNPV*4821A**	1.01	1.07	987*A60100V21***
CNPV*4321A**	1.01	1.01	987*A60100V21***
CNPV*4821A**	1.01	1.04	987*A60100V21***
CAP**4224A**	1.00	1.05	987*A66120V24***
CAP**4824A**	1.01	1.03	987*A66120V24***
CAP**4823A**	1.01	1.03	987*A66120V24***
CSPH*4212A**	1.01	1.03	987*A66120V24***
CSPH*4812A**	1.01	1.02	987*A66120V24***
CNPV*4324A**	1.01	1.00	987*A66120V24***
CNPV*4824A**	1.01	1.03	987*A66120V24***
CNPV*4221A**	1.01	1.07	987*A66120V24***
CNPV*4321A**	1.01	1.01	987*A66120V24***

See note on pg. 70

HEAT PUMP HEATING PERFORMANCE CONTINUED

INDOOR AIR		OUTDOOR COIL ENTERING AIR TEMPERATURES ° F (° C)																							
		-3 (-19.4)			7 (-13.9)			17 (-8.3)			27 (-2.8)			37 (2.8)			47 (8.3)			57 (13.9)			67 (19.4)		
		Capacity MBtuh		Total Syst. KWT	Capacity MBtuh		Total Syst. KWT	Capacity MBtuh		Total Syst. KWT	Capacity MBtuh		Total Syst. KWT	Capacity MBtuh		Total Syst. KWT	Capacity MBtuh		Total Syst. KWT	Capacity MBtuh		Total Syst. KWT	Capacity MBtuh		Total Syst. KWT
EDB ° F (° C)	CFM	Total	Integ*	Total	Integ*	Total	Integ*	Total	Integ*	Total	Integ*	Total	Integ*	Total	Integ*	Total	Integ*	Total	Integ*	Total	Integ*	Total	Integ*		
		65 (18.3)	1750	20.70	19.04	3.28	27.02	24.83	3.42	33.72	30.75	3.58	41.23	36.62	3.72	49.82	45.33	3.93	57.86	57.86	4.12	67.41	67.41	4.34	78.26
2000	21.11		19.43	3.32	27.50	25.28	3.45	34.30	31.27	3.58	42.09	37.39	3.72	50.38	45.85	3.90	58.60	58.60	4.07	68.57	68.57	4.25	79.11	79.11	4.49
2250	21.49		19.77	3.37	27.92	25.66	3.49	34.77	31.71	3.60	43.47	38.61	3.77	50.91	46.33	3.90	59.23	59.23	4.06	69.29	69.29	4.21	79.67	79.67	4.43
70 (21.1)	1750	19.65	18.07	3.42	26.01	23.91	3.57	32.79	29.90	3.72	40.18	35.69	3.88	49.10	44.68	4.11	57.00	57.00	4.30	66.31	66.31	4.55	77.15	77.15	4.78
	2000	20.06	18.45	3.46	26.49	24.34	3.59	33.34	30.39	3.73	40.83	36.26	3.88	49.67	45.20	4.08	57.72	57.72	4.26	67.32	67.32	4.46	78.01	78.01	4.68
	2250	20.43	18.80	3.50	26.91	24.73	3.63	33.81	30.82	3.76	41.39	36.76	3.89	50.19	45.68	4.08	58.34	58.34	4.24	68.30	68.30	4.40	78.62	78.62	4.63
75 (23.9)	1750	18.54	17.06	3.56	24.96	22.94	3.72	31.79	28.98	3.88	39.14	34.76	4.06	48.41	44.05	4.30	56.16	56.16	4.50	65.21	65.21	4.76	76.04	76.04	4.99
	2000	18.95	17.44	3.60	25.43	23.37	3.75	32.33	29.47	3.90	39.76	35.31	4.05	48.00	44.59	4.27	55.88	55.88	4.45	66.27	66.27	4.66	76.93	76.93	4.89
	2250	19.32	17.77	3.65	25.85	23.76	3.79	32.79	29.90	3.92	40.31	35.80	4.06	49.45	45.00	4.26	57.47	57.47	4.43	67.20	67.20	4.61	77.54	77.54	4.83

HEATING INDOOR MODEL		CAPACITY			POWER	FURNACE MODEL			HEATING INDOOR MODEL			POWER	FURNACE MODEL			HEATING INDOOR MODEL			POWER	FURNACE MODEL		
		Total	Integ*	Total		Total	Integ*	Total	Total	Integ*	Total		Total	Integ*	Total	Total	Integ*	Total		Total	Integ*	Total
*FX4DN(B,F)061		1.00		1.00	1.00	315(A,J)AV066155			CSPH*6012A**		1.00	315(A,J)AV066155			CSPH*6012A**		1.00	315(A,J)AV066155		1.04	925*A66120E24***	
FB4CNF060		0.98		1.03	1.01	315(A,J)AV066155			CAP**6025A**		1.02	359BAV060100			CNPV*6124A**		1.01	925*A66120E24***		1.04	925*A66120E24***	
FE4ANB006		0.98		0.98	1.06	353(A,B)AV048080			CNPV*6024A**		0.99	353(A,B)AV060120			CNPV*6024A**		1.00	925*A66120E24***		1.05	925*A66120E24***	
FV4BNB006		0.98		0.98	1.05	353(A,B)AV048080			CSPH*6012A**		0.99	353(A,B)AV060100			CNPV*6024A**		1.00	925*A66120E24***		1.04	925*A66120E24***	
FV4CNB006		0.98		0.99	1.04	353(A,B)AV060100			CAP**6021A**		0.99	353(A,B)AV060100			CNPV*6024A**		1.01	986*A66120V24***		1.06	986*A66120V24***	
FX4CN(B,F)060		1.00		1.05	1.04	353(A,B)AV060100			CNPV*6024A**		0.99	353(A,B)AV060100			CAP**6025A**		1.01	986*A66120V24***		1.06	986*A66120V24***	
FY4ANB060		1.02		1.07	1.03	353(A,B)AV060100			CNPV*6124A**		0.99	353(A,B)AV060100			CSPH*6012A**		1.01	986*A66120V24***		1.05	986*A66120V24***	
CAP**6021A**		0.99		1.04	1.02	353(A,B)AV060100			CSPH*6012A**		0.99	353(A,B)AV060100			CNPV*6124A**		1.00	986*A66120V24***		1.03	986*A66120V24***	
CAP**6024A**		0.99		0.99	1.03	353(A,B)AV060120			CAP**6024A**		0.99	353(A,B)AV060120			CNPV*6024A**		1.01	986*A66120V24***		1.06	986*A66120V24***	
CAP**6025A**		0.99		1.04	1.03	353(A,B)AV060120			CNPV*6024A**		0.99	353(A,B)AV060120			CNPV*6024A**		1.01	986*A66120V24***		1.06	986*A66120V24***	
CNPV*6024A**		0.99		1.03	1.02	353(A,B)AV060120			CNPV*6124A**		0.99	353(A,B)AV060120			CNPV*6124A**		1.01	986*A66120V24***		1.04	986*A66120V24***	
CNPV*6124A**		0.99		1.04	1.03	353(A,B)AV060120			CNPV*6124A**		0.99	353(A,B)AV060120			CNPV*6124A**		1.01	986*A66120V24***		1.06	986*A66120V24***	
CNPV*6124A**		0.99		1.02	1.02	353(A,B)AV060120			CSPH*6012A**		0.99	353(A,B)AV060120			CAP**6021A**		1.01	986*A66120V24***		1.09	986*A66120V24***	
CSPH*6124A**		0.99		1.02	1.02	353(A,B)AV060120			CNPV*6124A**		0.99	353(A,B)AV060120			CAP**6024A**		1.01	986*A66120V24***		1.08	986*A66120V24***	
CSPH*6124A**		0.99		1.03	1.04	355(A,C)AV060120			CNPV*6124A**		0.99	355(A,C)AV060120			CAP**6025A**		1.01	986*A66120V24***		1.08	986*A66120V24***	
CAP**6021A**		0.99		1.04	1.03	313*AV060110			CSPH*6012A**		0.99	313*AV060110			CSPH*6012A**		1.01	987*A60100V21***		1.08	987*A60100V21***	
CNPV*6024A**		0.99		1.04	1.03	313*AV060110			CAP**6021A**		0.99	313*AV060110			CNPV*6124A**		1.01	987*A60100V21***		1.07	987*A60100V21***	
CNPV*6124A**		0.99		1.03	1.03	313*AV060110			CNPV*6024A**		0.99	313*AV060110			CNPV*6124A**		1.01	987*A60100V21***		1.06	987*A60100V21***	
CNPV*6124A**		0.99		1.03	1.02	313*AV060110			CNPV*6124A**		0.99	313*AV060110			CNPV*6024A**		1.00	987*A60100V21***		1.08	987*A60100V21***	
CSPH*6012A**		0.99		1.03	1.02	313*AV060110			CSPH*6012A**		0.99	313*AV060110			CNPV*6024A**		1.00	987*A60100V21***		1.08	987*A60100V21***	
CAP**6024A**		0.99		1.03	1.04	313*AV060135			CAP**6024A**		0.99	313*AV060135			CNPV*6124A**		1.01	987*A60100V21***		1.08	987*A60100V21***	
CNPV*6124A**		0.99		1.02	1.03	313*AV060135			CNPV*6024A**		0.99	313*AV060135			CAP**6025A**		1.00	987*A60100V21***		1.05	987*A60100V21***	
CNPV*6024A**		0.99		1.03	1.03	313*AV060135			CNPV*6124A**		0.99	313*AV060135			CAP**6025A**		1.00	987*A60100V21***		1.05	987*A60100V21***	
CNPV*6124A**		0.99		1.00	1.04	313*AV060135			CNPV*6024A**		0.99	313*AV060135			CAP**6025A**		1.00	987*A60100V21***		1.05	987*A60100V21***	
CSPH*6124A**		0.99		1.02	1.01	313*AV060135			CNPV*6124A**		0.99	313*AV060135			CSPH*6012A**		1.00	987*A60100V21***		1.04	987*A60100V21***	
CAP**6024A**		0.99		1.02	1.02	313*AV060135			CNPV*6124A**		0.99	313*AV060135			CNPV*6124A**		1.00	987*A60100V21***		1.03	987*A60100V21***	
CNPV*6024A**		0.99		1.02	1.05	925*A66120E24***			CAP**6024A**		1.00	925*A66120E24***			CNPV*6124A**		1.00	987*A60100V21***		1.03	987*A60100V21***	
CNPV*6124A**		0.99		1.01	1.05	925*A66120E24***			CAP**6025A**		1.00	925*A66120E24***			CNPV*6124A**		1.00	987*A60100V21***		1.05	987*A60100V21***	
CNPV*6124A**		0.99		1.02	1.05	925*A66120E24***			CAP**6025A**		1.00	925*A66120E24***			CNPV*6124A**		1.00	987*A60100V21***		1.04	987*A60100V21***	

NOTE: When the required data falls between the published data, interpolation may be performed. Extrapolation is not an acceptable practice.

* The Btuh heating capacity values shown are net integrated values from which the defrost effect has been subtracted. The Btuh heating from supplement heaters should be added to those values to obtain total system capacity.

† The kW values include the compressor, outdoor fan motor, and indoor blower motor. The kW from supplement heaters should be added to these values to obtain total system kilowatts.

EDB — Entering Dry Bulb

System Description

Outdoor-mounted, air-cooled, split-system heat pump unit suitable for ground or rooftop installation. Unit consists of a hermetic compressor, an air-cooled coil, propeller-type condenser fan, and a control box. Unit will discharge supply air upward as shown on contract drawings. Unit will be used in a refrigeration circuit to match up to a packaged fan coil or coil unit.

Quality Assurance

- Unit will be rated in accordance with the latest edition of AHRI Standard 240.
- Unit will be certified for capacity and efficiency, and listed in the latest AHRI directory.
- Unit construction will comply with latest edition of ANSI/ASHRAE and with NEC.
- Unit will be constructed in accordance with UL standards and will carry the UL label of approval. Unit will have C-UL approval.
- Unit cabinet will be capable of withstanding Federal Test Method Standard No. 141 (Method 6061) 500-hr salt spray test.
- Air-cooled condenser coils are pressure tested and the outdoor unit is leak tested.
- Unit constructed in ISO9001 approved facility.

Delivery, Storage, and Handling

- Unit will be shipped as single package only and is stored and handled per unit manufacturer's recommendations.

Warranty (for inclusion by specifying engineer)

- U.S. and Canada only.

PRODUCTS

Equipment

- Factory assembled, single piece, air-cooled heat pump unit. Contained within the unit enclosure is all factory wiring, piping, controls, compressor, refrigerant charge Puron® (R-410A), and special features required prior to field start-up.

Unit Cabinet

- Unit cabinet will be constructed of galvanized steel, bonderized, and coated with a powder coat paint.

Fans

- Condenser fan will be direct-drive propeller type, discharging air upward.
- Condenser fan motors will be totally enclosed, 1-phase type with class B insulation and permanently lubricated bearings.
- Shafts will be corrosion resistant.
- Fan blades will be statically and dynamically balanced.
- Condenser fan openings will be equipped with steel wire safety guards.

Compressor

- Compressor will be hermetically sealed.
- Compressor will be mounted on rubber vibration isolators.

Condenser Coil

- Condenser coil will be air cooled.
- Coil will be constructed of aluminum fins mechanically bonded to copper tubes which are then cleaned, dehydrated, and sealed.

Refrigeration Components

- Refrigeration circuit components will include liquid-line shutoff valve with sweat connections, vapor-line shutoff valve with sweat connections, system charge of Puron® (R-410A) refrigerant, POE compressor oil, accumulator, and reversing valve.

Operating Characteristics

- The capacity of the unit will meet or exceed _____ Btuh at a suction temperature of _____ °F/°C. The power consumption at full load will not exceed _____ kW.
- Combination of the unit and the evaporator or fan coil unit will have a total net cooling capacity of _____ Btuh or greater at conditions of _____ CFM entering air temperature at the evaporator at _____ °F wet bulb and _____ °F/°C dry bulb, and air entering the unit at _____ °F/°C.
- The system will have a SEER of _____ Btuh/watt or greater at DOE conditions.

Electrical Requirements

- Nominal unit electrical characteristics will be _____ v, single phase, 60 hz. The unit will be capable of satisfactory operation within voltage limits of _____ v to _____ v.
- Unit electrical power will be single point connection.
- Control circuit will be 24v.

Special Features

- Refer to section of this literature identifying accessories and descriptions for specific features and available enhancements.

