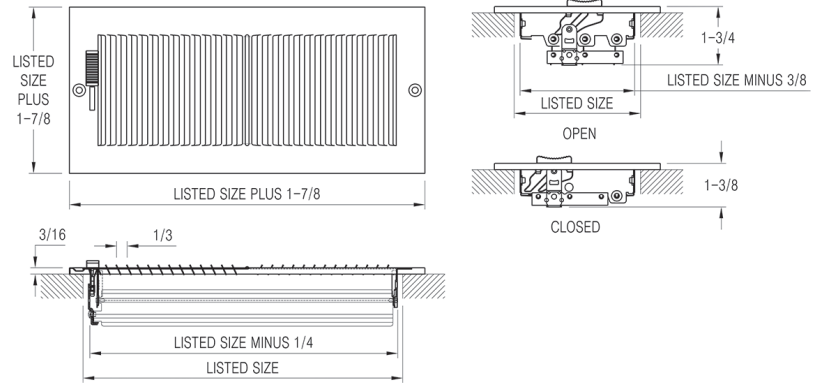


222 - Sidewall/Ceiling Register 2-Way

- Steel construction
- For sidewall or ceiling application
- Two-way air deflection
- 1/3" Spaced fins
- One-piece stamped face construction
- White durable finish



Available Sizes (in inches)										
HEIGHT	WIDTH									
	6	8	10	12	14	16	18	20	24	30
4	•	•	•	•	•					
5			•	•						
6	•	•	•	•	•	•	•	•	•	•
8		•	•	•	•	•		•		•
10				•						
12				•	•					

ENGINEERING

222 - SIDEWALL/CEILING REGISTER 2-WAY									
FACE VELOCITY	300	400	500	600	700	800	900	1000	
PRESSURE LOSS	0.008	0.012	0.016	0.024	0.032	0.044	0.052	0.064	
6 x 6 Ak .128	cfm	38	51	64	77	90	102	115	128
	Throw	5	6	8	9	11	13	14	16
8 x 8 Ak .263	cfm	79	105	131	157	183	210	236	262
	Throw	7	9	11	14	16	18	21	23
10 x 4 Ak .156	cfm	45	60	75	90	105	120	135	150
	Throw	5	7	8	10	12	13	15	17
10 x 6 Ak .252	cfm	75	100	125	150	175	200	225	250
	Throw	7	9	11	13	16	18	20	22
12 x 4 Ak .192	cfm	56	74	93	111	130	148	167	185
	Throw	6	7	9	11	13	15	17	19
12 x 6 Ak .309	cfm	91	121	151	181	211	242	272	302
	Throw	7	9	12	14	16	19	21	23
14 x 4 Ak .234	cfm	70	94	117	140	164	187	211	234
	Throw	7	9	11	14	15	17	19	21
14 x 6 Ak .372	cfm	110	147	184	221	258	294	331	368
	Throw	8	11	13	15	17	20	22	24
14 x 8 Ak .524	cfm	156	208	260	312	364	416	468	520
	Throw	8	11	14	17	20	23	26	29
20 x 4 Ak .358	cfm	107	143	179	215	251	286	322	358
	Throw	8	10	13	15	18	20	23	25
20 x 6 Ak .565	cfm	170	226	283	339	396	452	509	565
	Throw	9	12	16	18	21	25	27	31
20 x 8 Ak .772	cfm	232	309	386	463	540	618	695	772
	Throw	11	14	18	20	24	28	30	35
20 x 10 Ak .978	cfm	293	391	489	587	685	782	880	978
	Throw	12	16	19	22	25	30	33	37
22 x 4 Ak .399	cfm	120	160	200	239	279	319	359	399
	Throw	8	11	13	15	18	21	23	25
22 x 6 Ak .627	cfm	188	251	314	376	439	502	564	627
	Throw	9	12	16	19	21	26	27	32
22 x 8 Ak .854	cfm	256	342	427	512	598	683	769	854
	Throw	11	15	18	21	24	29	31	35
22 x 10 Ak 1.08	cfm	324	432	540	648	756	864	972	1080
	Throw	13	16	20	22	26	30	34	38
24 x 4 Ak .441	cfm	132	176	221	265	309	353	397	441
	Throw	8	11	13	16	19	23	24	27

24 x 6 Ak .689	cfm	207	276	345	413	482	551	620	689
	Throw	10	13	17	20	23	26	30	33
24 x 8 Ak .987	cfm	296	395	494	592	691	790	888	987
	Throw	12	15	19	23	26	31	35	38
24 x 10 Ak 1.19	cfm	357	476	595	714	833	952	1071	1190
	Throw	13	17	21	25	30	33	39	43
26 x 4 Ak .482	cfm	145	193	241	289	337	386	434	482
	Throw	8	11	14	16	20	22	25	28
26 x 6 Ak .751	cfm	225	300	376	451	526	601	676	751
	Throw	11	14	18	20	24	28	30	35
26 x 8 Ak 1.02	cfm	306	408	510	612	714	816	918	1020
	Throw	12	17	20	22	25	31	33	37
26 x 10 Ak 1.29	cfm	387	516	645	774	903	1032	1161	1290
	Throw	14	18	22	26	30	34	39	43
28 x 4 Ak .523	cfm	157	209	262	314	366	418	471	523
	Throw	8	12	14	17	20	23	25	28
28 x 6 Ak .813	cfm	244	325	407	488	569	650	732	813
	Throw	11	15	18	21	24	28	31	35
28 x 8 Ak 1.10	cfm	330	440	550	660	770	880	990	1100
	Throw	13	17	20	22	26	31	34	38
28 x 10 Ak 1.39	cfm	417	556	695	834	973	1112	1251	1390
	Throw	16	19	23	27	31	36	41	45
30 x 4 Ak .565	cfm	170	226	283	339	396	452	509	565
	Throw	9	12	16	18	21	25	27	31
30 x 6 Ak .885	cfm	266	354	443	531	620	708	797	885
	Throw	12	15	19	21	25	29	31	36
30 x 8 Ak 1.31	cfm	393	524	655	786	917	1048	1179	1310
	Throw	13	17	21	25	30	33	39	43
30 x 10 Ak 1.50	cfm	450	600	750	900	1050	1200	1350	1500
	Throw	17	20	24	28	32	37	42	46
32 x 4 Ak .606	cfm	182	242	303	364	424	485	545	606
	Throw	9	13	16	19	21	25	28	32
32 x 6 Ak 1.27	cfm	281	375	469	562	656	750	843	937
	Throw	12	15	19	23	26	31	35	38
32 x 8 Ak 1.27	cfm	381	508	635	762	889	1016	1143	1270
	Throw	14	17	22	26	29	34	38	42
32 x 10 Ak 1.60	cfm	480	640	800	960	1120	1280	1440	1600
	Throw	18	21	25	29	33	39	44	48
34 x 4 Ak .647	cfm	194	259	324	388	453	518	582	647
	Throw	10	13	17	19	23	26	29	33

ENGINEERING

34 x 6 Ak .999	cfm	300	400	500	599	699	799	899	999
	Throw	12	16	19	22	25	30	33	37
34 x 8 Ak 1.35	cfm	405	540	675	810	945	1080	1215	1350
	Throw	15	19	22	27	30	36	39	44
34 x 10 Ak 1.70	cfm	510	680	850	1020	1190	1360	1530	1700
	Throw	19	22	26	30	35	41	46	50
36 x 4 Ak .689	cfm	207	276	345	413	482	551	620	689
	Throw	10	13	17	20	23	26	30	33
36 x 6 Ak 1.06	cfm	318	424	530	636	742	848	954	1060
	Throw	13	15	20	21	26	29	33	37
36 x 8 Ak 1.43	cfm	429	572	715	858	1001	1144	1287	1430
	Throw	16	20	23	28	31	36	42	46
36 x 10 Ak 1.81	cfm	543	724	905	1086	1267	1448	1629	1810
	Throw	17	21	25	29	32	38	44	48
38 x 4 Ak .730	cfm	219	292	365	438	511	584	657	730
	Throw	11	13	18	19	23	27	29	34
38 x 6 Ak 1.12	cfm	336	448	560	672	784	896	1008	1120
	Throw	13	16	21	23	26	31	34	38
38 x 8 Ak 1.52	cfm	456	608	760	912	1064	1216	1368	1520
	Throw	17	20	24	28	32	37	42	46
38 x 10 Ak 1.91	cfm	573	764	955	1146	1337	1528	1719	1910
	Throw	18	22	26	30	35	39	46	50
40 x 4 Ak .772	cfm	232	309	386	463	540	618	695	772
	Throw	11	14	18	20	24	28	30	35
40 x 6 Ak 1.19	cfm	357	476	595	714	833	952	1071	1190
	Throw	13	17	21	25	30	33	39	43
40 x 8 Ak 1.60	cfm	480	640	800	960	1120	1280	1440	1600
	Throw	18	21	25	29	33	39	44	48
40 x 10 Ak 2.01	cfm	603	804	1005	1206	1407	1608	1809	2010
	Throw	19	23	27	31	36	41	48	52
42 x 4 Ak .813	cfm	244	325	407	488	569	650	732	813
	Throw	11	15	18	21	24	29	30	35
42 x 6 Ak 1.25	cfm	375	500	625	750	875	1000	1125	1250
	Throw	14	18	21	26	29	34	38	42
42 x 8 Ak 1.68	cfm	504	672	840	1008	1176	1344	1512	1680
	Throw	19	21	26	29	35	40	46	50
42 x 10 Ak 2.12	cfm	636	848	1060	1272	1484	1696	1908	2120
	Throw	20	24	28	32	37	43	50	53
44 x 4 Ak .854	cfm	256	342	427	512	598	683	769	854
	Throw	12	14	19	20	25	28	31	35

44 x 6 Ak 1.43	cfm	393	524	655	786	917	1048	1179	1310
	Throw	14	19	22	27	30	34	40	43
44 x 8 Ak 1.76	cfm	528	704	880	1056	1232	1408	1584	1760
	Throw	17	20	25	28	32	37	43	47
44 x 10 Ak 2.22	cfm	666	888	1110	1332	1554	1776	1998	2220
	Throw	21	25	29	33	39	45	51	55
46 x 4 Ak .937	cfm	281	375	469	562	656	750	843	937
	Throw	12	15	19	22	25	29	32	36
46 x 6 Ak 1.43	cfm	429	572	715	858	1001	1144	1287	1430
	Throw	15	19	22	27	30	36	40	44
46 x 8 Ak 1.93	cfm	579	772	965	1158	1351	1544	1737	1930
	Throw	17	22	25	30	32	39	45	48
46 x 10 Ak 2.43	cfm	729	972	1215	1458	1701	1944	2187	2430
	Throw	22	26	30	34	39	47	53	57
48 x 4 Ak .896	cfm	269	358	448	538	627	717	806	896
	Throw	12	16	19	22	25	30	31	36
48 x 6 Ak 1.37	cfm	411	548	685	822	959	1096	1233	1370
	Throw	16	20	23	28	31	37	42	46
48 x 8 Ak 1.85	cfm	555	740	925	1110	1295	1480	1665	1850
	Throw	18	22	26	30	35	39	46	50
48 x 10 Ak 2.32	cfm	696	928	1160	1392	1624	1856	2088	2320
	Throw	23	27	31	36	41	49	55	59
Terminal Velocity of 75 fpm									