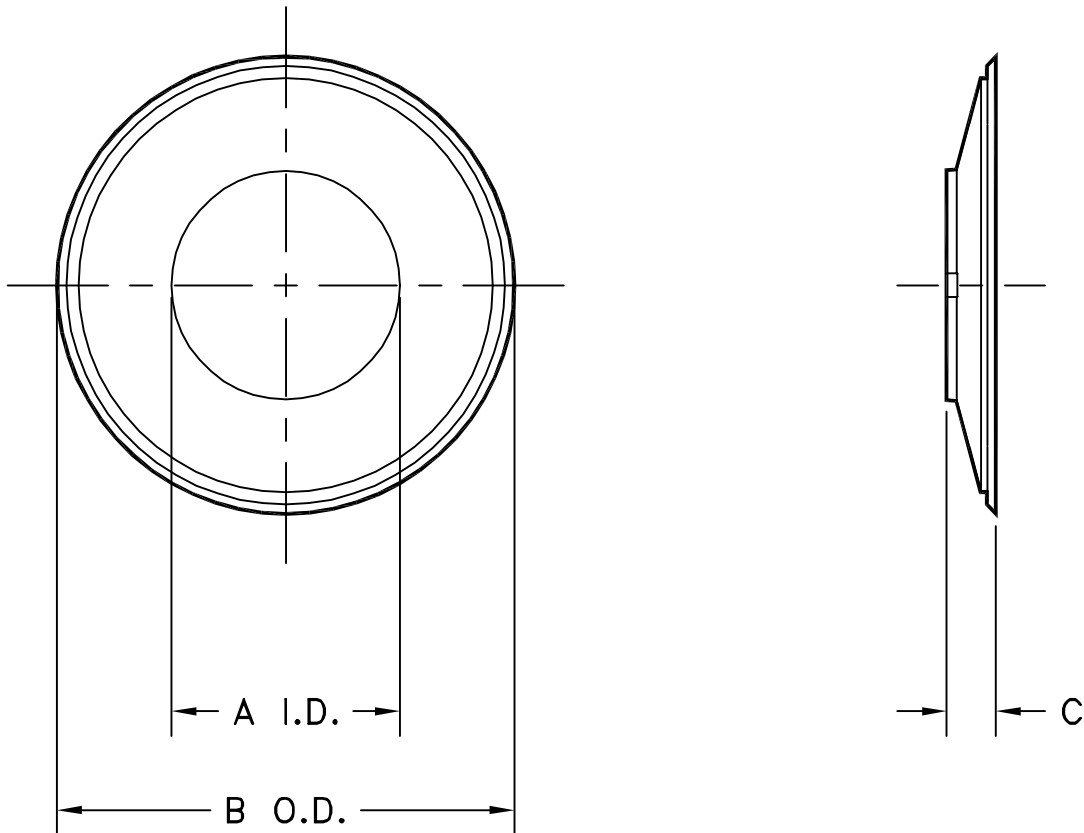


- MATERIAL:  
- .018 THICK, G-90 GALVANIZED STEEL



CAT. NO.	A I.D.	B O.D.	C
3RS	3 1/2	6 1/4	1
4RS	4 1/2	7 1/4	1
5RT	5 1/2	8 1/4	7/8
6RS	6 1/2	9 1/4	1

JOB NAME: _____	SUBMITTED BY: _____	DATE: 2/17/03	SD-3119
LOCATION: _____		<b>Type B Gas Vent</b>	
ARCHITECT: _____		Storm Collar	
ENGINEER: _____		RS	
CONTRACTOR: _____		3" - 6" Diameter	