

**THIS SPACE FOR DESIGNER/ENGINEER APPROVAL**

Job/Customer _____	Date _____	Contractor _____
Model Specified _____	Qty _____	Approved By _____
Designer/Engineer _____	Date _____	Contractor's PO# _____
Submitted by _____	Date _____	Other _____

# 6202W Series

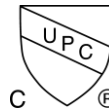
**Flexible Braided Stainless Steel Water Heater Connectors  
w/ Full Port Forged DZR Brass Ball Valve  
For Connection to Copper, CPVC, or PEX**

**Lead Free**

**Push x FIP**

**200 PSI / 200° F Max**

**ISO 9001**

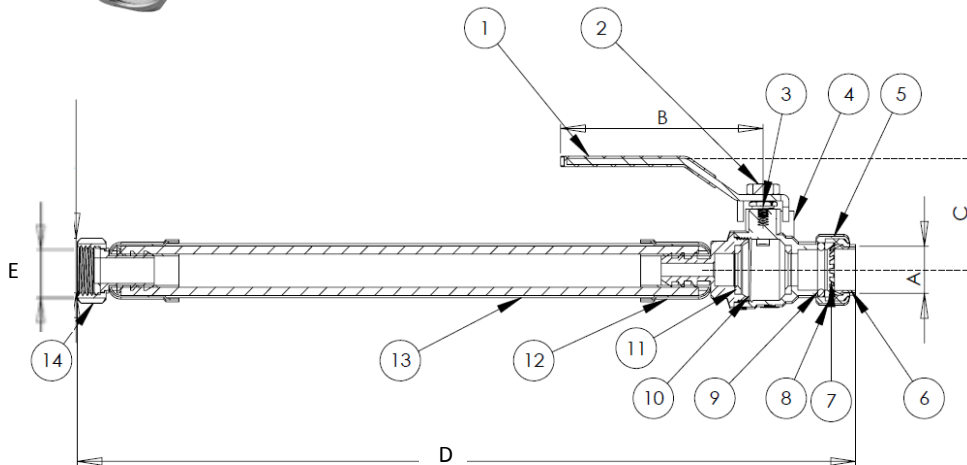


Certified to  
ASME A112.18.6/CSA B125.6  
& NSF/ANSI 61-G

ITEM #	SIZE	CTN	CASE	A	B	C	D	E
62023W-18	1/2" x 3/4"	1	25	1/2	2 4/5	1 1/2	18	3/4
62033W-18	3/4" x 3/4"	1	25	3/4	2 4/5	1 1/2	18	3/4



NO.	DESCRIPTION	MATERIAL
1	STEEL HANDLE	STEEL CP
2	NUT	STAINLESS STEEL
3	PACKING NUT	LF BRASS
4	BODY	LF BRASS
5	END CAP	LF BRASS
6	RELEASE RING	PLASTIC
7	GRIP RING	STAINLESS STEEL
8	PROTECTOR RING	PLASTIC
9	O-RING	EPDM
10	BALL	BRASS HCP
11	SEAT	PTFE
12	FERRULE	STAINLESS STEEL
13	FLEXIBLE HOSE	BRAIDED STAINLESS STEEL / EPDM
14	NUT	LF BRASS



TEMP °F	PSI
100	200
150	200
200	200
250	N/A
300	N/A
350	N/A
366	N/A

**Specifications:** Designed for residential, commercial or industrial use with water, specifically for use in copper, CPCV, or PEX systems. This product features a fully removable grip assembly. Threaded ends comply with ANSI B1.20.1.



Quality and Commitment Since 1954

www.webstonevalves.com · P: (800) 225-9529 · F: (800) 336-5133

Webstone product specifications in U.S. customary units are approximate and are provided for reference only. Webstone reserves the right to change or modify product design, construction, specifications or materials without prior notice and without incurring any obligation to make such changes and modifications on Webstone products previously or subsequently sold.