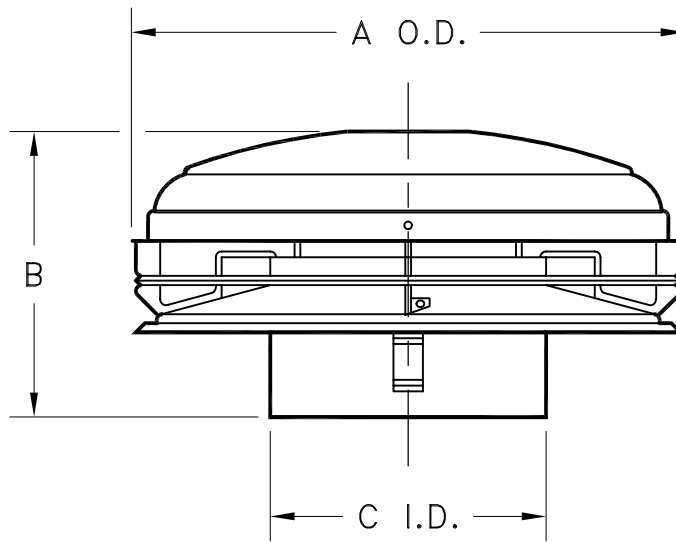


- MATERIAL:
- BAFFLE – .025 ALUMINUM SIZES 7 THROUGH 10
- .040 ALUMINUM SIZE 12
- DOME – .040 ALUMINUM
- BRACKET – .040 ALUMINUM
- COLLAR – .025 ALUMINUM
- 10 AND 12 SIZES HAVE TWO BIRD RINGS



CAT. NO.	A O.D.	B	C I.D.
7RM	14-1/8	6-7/8	8-1/16
8RM	15-1/8	7	9-1/16
10RM	19-1/16	9	11-1/16
12RM	23	10-1/2	13-1/16



JOB NAME: _____	SUBMITTED BY: _____	DATE: 9/3/98	SD-3112
LOCATION: _____		TYPE B GAS VENT	
ARCHITECT: _____		CAP	
ENGINEER: _____		RM	
CONTRACTOR: _____		7" - 12" DIAMETER	