

Installation Instructions

NOTE: For use on combustible floor for 80%, 33.3-in. (846 mm), and 90+%, 35 in. (889 mm) and 40-in. (1016 mm) multipoise gas furnaces.

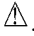
NOTE: Read the entire instruction manual before starting the installation.

SAFETY CONSIDERATIONS

Improper installation, adjustment, alteration, service, maintenance, or use can cause explosion, fire, electrical shock, or other conditions which may cause death, personal injury, or property damage. Consult a qualified installer, service agency, or your distributor or branch for information or assistance. The qualified installer or agency must use factory-authorized kits or accessories when modifying this product. Refer to the individual instructions packaged with the kits or accessories when installing.

Follow all safety codes. Wear safety glasses, protective clothing, and work gloves. Have a fire extinguisher available. Read these instructions thoroughly and follow all warnings or cautions include in literature and attached to the unit. Consult local building codes, the current editions of the National Fuel Gas Code (NFGC) NFPA 54/ANSI Z223.1 and the National Electrical Code (NEC) NFPA 70.

In Canada, refer to the current editions of the National Standards of Canada CAN/CSA-B149.1 and .2 Natural Gas and Propane Installation Codes, and Canadian Electrical Code CSA C22.1.

Recognize safety information. This is the safety-alert symbol . When you see this symbol on the unit and in instructions or manuals, be alert to the potential for personal injury.

Understand the signal words **DANGER**, **WARNING**, and **CAUTION**. These words are used with the safety-alert symbol. **DANGER** identifies the most serious hazards which **will** result in severe personal injury or death. **WARNING** signifies hazards which **could** result in personal injury or death. **CAUTION** is used to identify unsafe practices which **may** result in minor personal injury or product and property damage. **NOTE** is used to highlight suggestions which **will** result in enhanced installation, reliability, or operation.

WARNING

FIRE, EXPLOSION, ELECTRICAL SHOCK HAZARD

Failure to follow this warning could result in personal injury, death and/or property damage.

The ability to properly perform maintenance on this equipment requires certain knowledge, mechanical skills, tools, and equipment. If you do not possess these, do not attempt to perform any maintenance on this equipment other than those procedures recommended in the Owner's Manual.

WARNING

FIRE, EXPLOSION, ELECTRICAL SHOCK AND CARBON MONOXIDE POISONING HAZARD

Failure to follow instructions could result in personal injury, death or property damage.

Improper installation, adjustment, alteration, service, maintenance, or use can cause carbon monoxide poisoning, explosion, fire, electrical shock, or other conditions, which could result in personal injury or death. Consult your distributor or branch for information or assistance. The qualified installer or agency must use only factory-authorized kits or accessories when servicing this product.

WARNING

ELECTRICAL SHOCK HAZARD

Failure to follow this warning could result in personal injury or death.

Before installing, modifying, or servicing system, main electrical disconnect switch must be in the OFF position and install a lockout tag. There may be more than one electrical supply to the furnace. Check accessories and cooling unit for additional electrical supplies that must be shut off during furnace servicing. Lockout and tag switch with a suitable warning label. Verify proper operation after servicing.



ISO 9001
QMI-SAI Global

INTRODUCTION

These instructions cover installation of floor subbase for use with downflow gas furnaces. The design of the subbase is CSA certified for use with a downflow gas furnace.

DESCRIPTION AND USAGE

In downflow installations, the manufacturer's accessory floor base must be used when installing a downflow gas furnace on combustible materials including wood flooring. Special base is not required when the furnace is installed on a manufacturer's coil assembly.

The subbase kit, when properly installed, will allow safe installation of the furnace in a downflow application. The kit contains the following items:

Table 1 – Kit Contents

DESCRIPTION	QUANTITY
Side Rail	2
Insulation strips (1 1/4 in. x 92 in.)	3
Locating tab (1 in. x 2 1/2 in.)	2
Screw, #6, 0.375"	4
Double-sided tape (0.75 in. 23 ft.)	1
Installation Instructions	1

INSTALLATION

⚠ CAUTION

CUT HAZARD

Failure to follow this caution may result in personal injury. Sheet metal parts may have sharp edges or burrs. Use care and wear appropriate protective clothing, safety glasses and gloves when handling parts, and servicing furnaces.

1. Cut and frame hole in floor according to dimensions in Table 2 and Fig. 1.
2. Assemble floor subbase.
 - a. Arrange base parts as shown in Fig. 2.
 - b. Assemble front and rear adjustable rails. See Table 2 for selection of screw holes for width adjustment. The hole number must correspond to the size furnace being installed.

NOTE: Each successive hole in the adjustable rail must be matched with the same numbered hole of the opposite rail, first hole to first hole, second hole to second hole, etc. (See Table 2 and Fig. 2.)

- c. Fasten rails together with screws provided in kit. (See Fig. 2.)
3. Install factory-supplied strips of insulation on top and bottom sides of adjustable rails. (See Fig. 3)
 - a. Cut double-sided adhesive tape to proper length.
 - b. Apply double-sided adhesive tape to top and bottom of adjustable rails.
 - c. Cut insulation to proper length.
 - d. Remove protective backing from double-sided tape to expose adhesive.
 - e. Apply strips of insulation to adhesive tape. Insulation must be properly installed to ensure an adequate seal and prevent air leakage between floor and base, and base and plenum. (See Fig 3.)
4. Install subbase over hole cut in floor. Locating tabs on subbase **MUST** be at sides and back of furnace when installed. (See Fig. 2.)
5. Install plenum into floor subbase assembly.

NOTE: The flange around the plenum top should be 1-1/4-in. (31.75mm) maximum, 7/8-in. (22mm) minimum to provide an adequate seal between the furnace or coil casing and the plenum.

6. Install factory-supplied strips of insulation on top and bottom sides of adjustable rails. (See Fig. 1.)
 - a. Cut double-sided adhesive tape to proper length.
 - b. Apply double-sided adhesive tape to top of plenum flange.
 - c. Cut insulation to proper length.
 - d. Remove protective backing from double-sided tape to expose adhesive.
 - e. Apply strips of insulation to adhesive tape. Insulation must be properly installed to ensure an adequate seal and prevent air leakage between floor and base, and base and plenum. (See Fig. 1.)
7. Refer to the furnace installation instructions to complete the furnace installation.

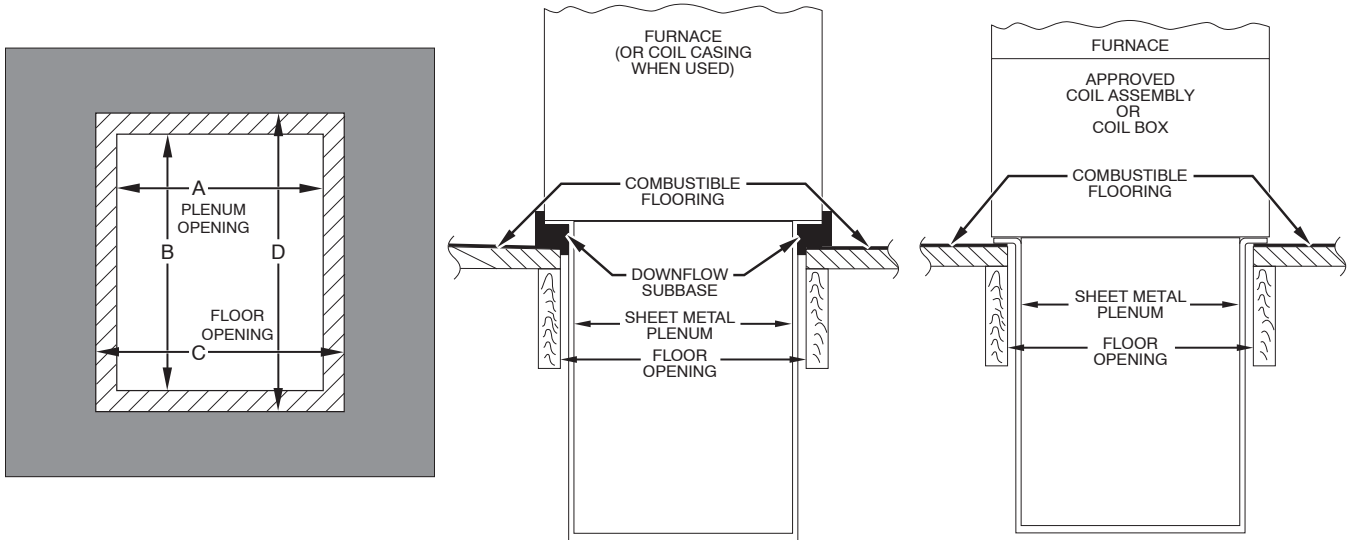


Fig. 1 - Installation on Combustible Flooring

A10491

Table 2 – Opening Dimensions

FURNACE CASING WIDTH† IN. (mm)	APPLICATION	PLENUM OPENING		FLOOR OPENING	
		A	B	C	D
14-3/16† (360)	Downflow applications on combustible flooring (KGASB subbase required)	11-13/16 (284)	19 (483)	13-7/16 (341)	20-5/8 (600)
17-1/2 (445)	Downflow applications on combustible flooring (KGASB subbase required)	15-1/8 (384)	19 (483)	16-3/4 (425)	20-5/8 (600)
21 (533)	Downflow applications on combustible flooring (KGASB subbase required)	18-5/8 (473)	19 (483)	20-1/4 (514)	20-5/8 (600)
24-1/2 (622)	Downflow applications on combustible flooring (KGASB subbase required)	22-1/8 (562)	19 (483)	23-3/4 (603)	20-5/8 (600)

† Not all families have these models.

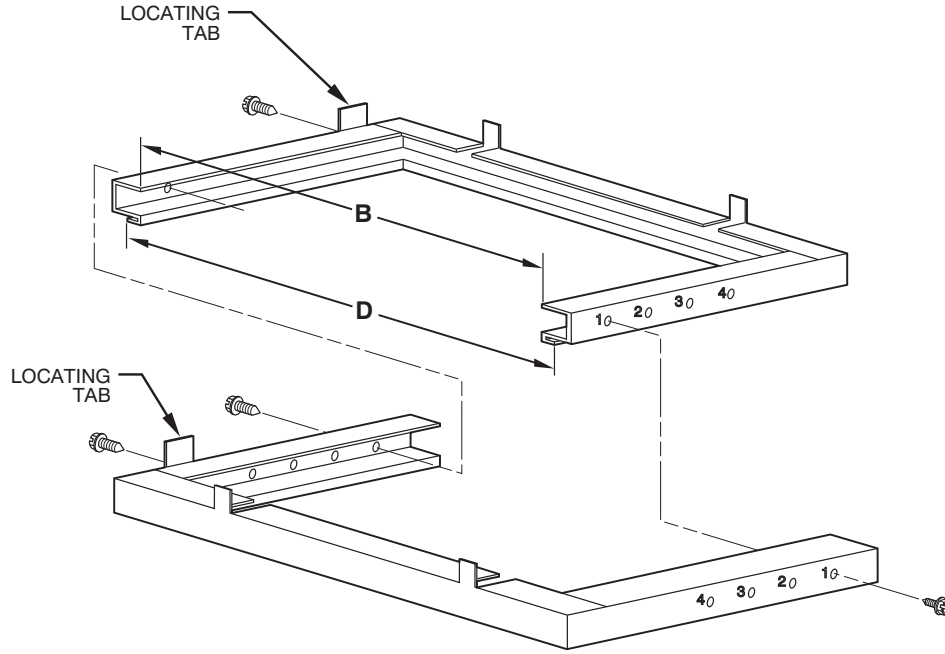


Fig. 2 - Disassembled Floor Subbase

A88207

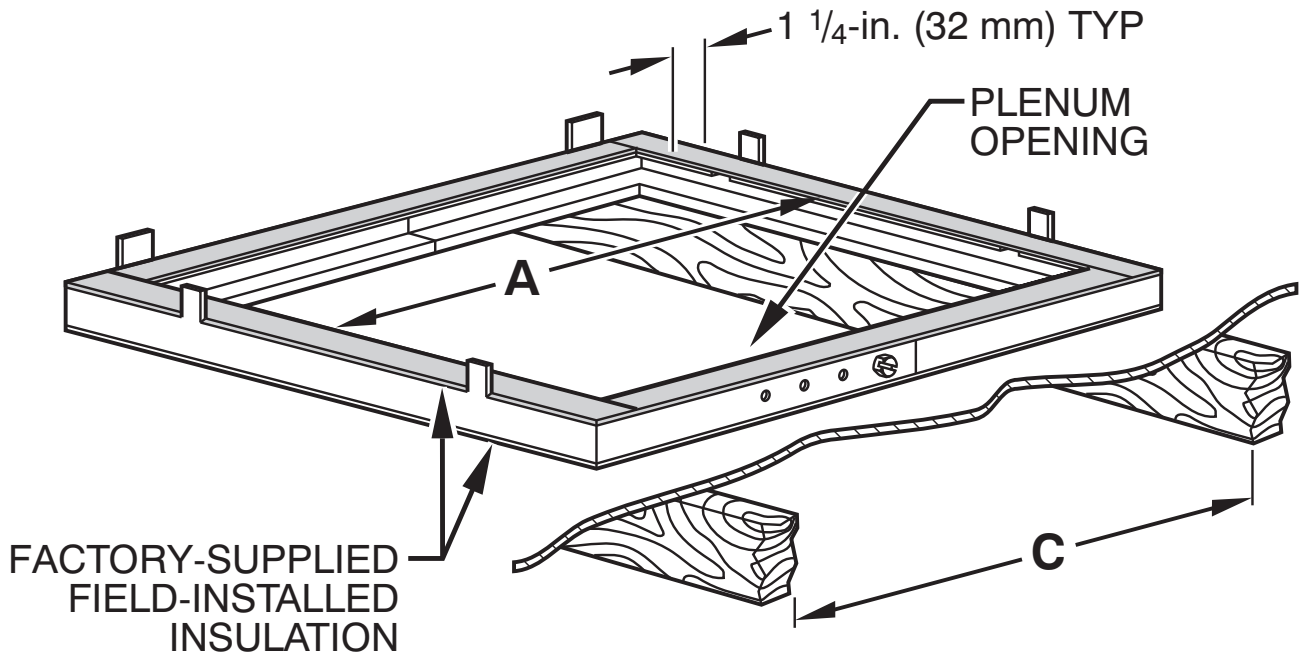


Fig. 3 - Installed Floor Subbase

A97427

