


Installation Instructions

NOTE: Read the entire instruction manual before starting the installation.

SAFETY CONSIDERATIONS

Improper installation, adjustment, alteration, service, maintenance, or use can cause explosion, fire, electrical shock, or other conditions which may cause personal injury or property damage. Consult a qualified installer, service agency, or your distributor or branch for information or assistance. The qualified installer or agency must use factory-authorized kits or accessories when modifying this product. Refer to the individual instructions packaged with the kits or accessories when installing.

Follow all safety codes. Wear safety glasses and work gloves. Use quenching cloth for brazing operations. Have fire extinguisher available. Read these instructions thoroughly and follow all warning or cautions attached to the unit. Consult local building codes and National Electrical Code (NEC) for special requirements.

Recognize safety information. This is the safety-alert symbol . When you see this symbol on the unit and in instructions or manuals, be alert to the potential for personal injury.

Understand the signal word DANGER, WARNING, or CAUTION. These words are used with the safety-alert symbol. DANGER identifies the most serious hazards which **will** result in severe personal injury or death. WARNING signifies a hazard which **could** result in personal injury or death. CAUTION is used to identify unsafe practices which **may** result in minor personal injury or product and property damage. NOTE is used to highlight suggestions that **will** result in enhanced installation, reliability, or operation.

WARNING

ELECTRICAL OPERATION HAZARD

Failure to follow this warning could result in personal injury or death.

Before installing or servicing system, always turn off main power to system. Lock out and tag switch with a suitable warning label. There may be more than 1 disconnect switch.

CAUTION

CUT HAZARD

Failure to follow this caution may result in personal injury.

Sheet metal parts may have sharp edges or burrs. Use care and wear appropriate protective clothing and gloves when handling parts.

INTRODUCTION

This instruction covers the installation of Coupling Kit KCARD0101MHA and KCARD0201MHA with vertical N coil, CN(P,R)VU.

Table 1 – KIT CONTENTS

334450-70(1,2)	Coupling Assy
331715-702	Coupling Assy
AG-KCART-01	Installation Instruction

CAUTION

UNIT DAMAGE HAZARD

Failure to follow this caution may result in equipment damage or improper operation.

Wrap a wet cloth around rear of fitting to prevent damaging factory-made joints.

CONNECTING REFRIGERANT TUBING

1. Remove all burrs and fittings from remaining portion of compatible fitting.
2. Insert tube end into remaining portion of compatible fitting.
3. Solder with low-temperature, 430°F/221°C silver alloy solder.
4. Evacuate evaporator coil and tubing at condensing unit service valves reclaiming refrigerant.
5. Operate system for 10 minutes.
6. Adjust charge to required superheat.

Mechanical Connection

1. Loosen lock nut on compatible fitting one turn. Do not remove. (See Fig. 1.)

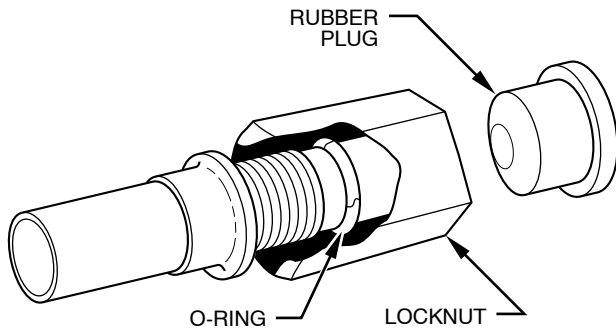


Fig. 1 - Compatible Fitting

A86154

2. Remove plug making sure O-ring is in the groove inside compatible fitting.
3. Cut tubing to correct length. Insert tube into compatible fitting until it bottoms.
4. Keep compatible fitting bottomed. Tighten lock nut using backup wrench until it contacts back of coupling flange.

Refrigerant Metering Device

1. CNPVU MODELS - These coils have a factory-installed hard shut-off TXV designed only for use with Puron®, R410A, refrigerant. Use only with outdoor units designed for Puron® refrigerant, R410A.

2. CNRVU MODELS - These coils have a factory-installed hard shut-off TXV designed only for use with R-22 refrigerant. Use only with outdoor units designed for R-22.

NOTE: All TXV'S have preset superheat settings and are not field-adjustable.

MECHANICAL CONNECTION REPAIR

1. Pump down unit and front-seat condensing unit service valves.
2. Back lock nut off compatible fitting onto tube at indoor evaporator coil. (See Fig. 2.)
3. Cut fitting with hacksaw between threads and O-ring.
4. Remove tubing section remaining in threaded portion of fitting. Discard lock nut.

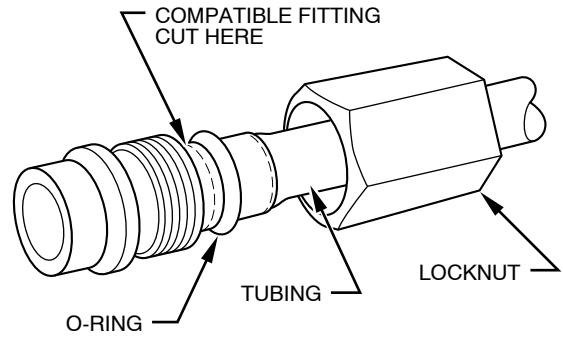


Fig. 2 - Repair of Mechanical Connection

A86157