

Installation Instruction


NOTE: Please read these instructions completely before attempting installation.

SAFETY CONSIDERATIONS

Installing and servicing heating equipment can be hazardous due to gas and electrical components. **Only trained and qualified personnel should install, repair, or service heating equipment.** Untrained personnel can perform basic maintenance functions such as cleaning and replacing air filters. All other operations must be performed by trained service personnel. When working on heating equipment, observe precautions in literature, on tags, and on labels attached to or shipped with unit and other safety precautions that may apply.

These instructions cover the minimum requirements and conform to existing national standards and safety codes. In some instances, these instructions exceed certain local codes and ordinances, especially those that may not have kept up with changing residential construction practices. We require these instructions as a minimum for a safe installation.

Wear safety glasses and work gloves. Have a fire extinguisher available during start-up and adjustment procedures and service calls.

Recognize safety information. This is the safety-alert symbol . When you see this symbol on the furnace and in instructions or manuals, be alert to the potential for personal injury.

Understand the signal words DANGER, WARNING, and CAUTION. These words are used with the safety-alert symbol. DANGER identifies the most serious hazards which **will** result in severe personal injury or death. WARNING signifies a hazard which **could** result in personal injury or death. CAUTION is used to identify unsafe practices which **may** result in minor personal injury or product and property damage. NOTE is used to highlight suggestions which **will** result in enhanced installation, reliability, or operation.

CAUTION

CUT HAZARD

Failure to follow this caution may result in personal injury.

Sheet metal parts may have sharp edges or burrs. Use care and wear appropriate protective clothing and gloves when handling parts.

INTRODUCTION

WARNING

ELECTRICAL SHOCK HAZARD

Failure to follow this warning could result in personal injury or death.

Before installing, modifying, or servicing system, main electrical disconnect switch must be in the OFF position. There may be more than 1 disconnect switch. Lock out and tag switch with a suitable warning label.

This instruction covers the installation of Media Cabinet Adapter kit. The adapters can be used to connect a 20 inch media cabinet to the single side opening of the furnace.

DESCRIPTION AND USAGE

The kit comes in four pieces with screws to attach the assembly together and secure it to the furnace.

INSTALLATION

Assemble the Media Adapter Kit. See Fig 1.

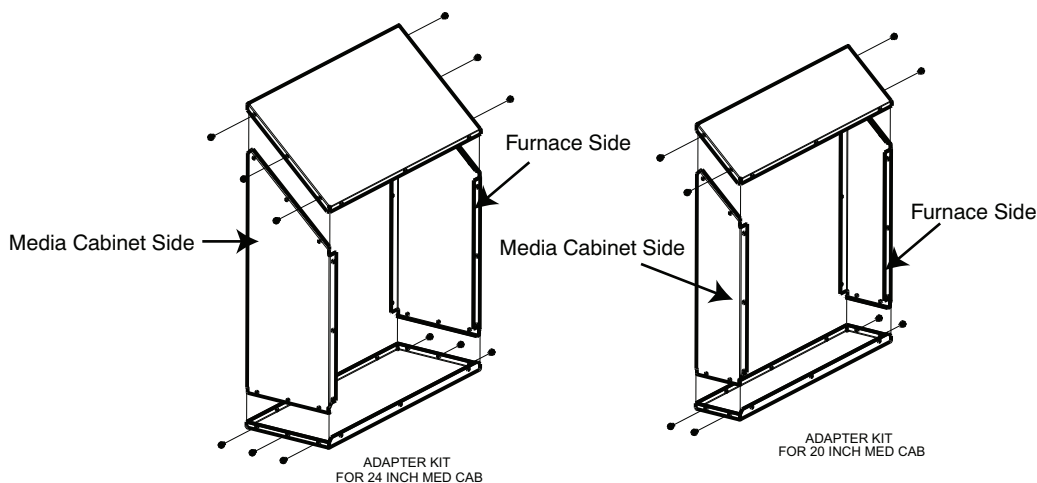
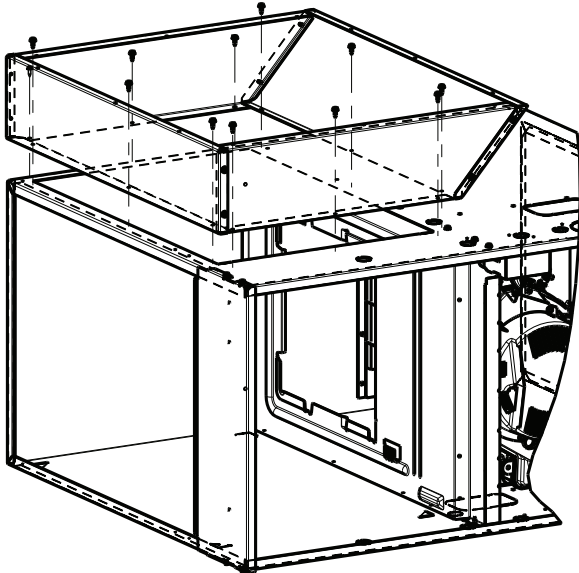


Fig. 1 - Media Cabinet Adapter Assembly

1. Lay out the panels from the Media Cabinet Adapter.
2. The flanges of the individual panels should be pointing inward.
3. Align the two side panels with the bottom panel from the kit.
4. Attach one side panel to the bottom panel of the Media Cabinet Adapter kit.
5. Attach the other side panel to the bottom of the Media Cabinet Adapter kit.
6. Attach the top panel to the two side panels of the Media Cabinet Adapter kit.

Cutting the return air opening:

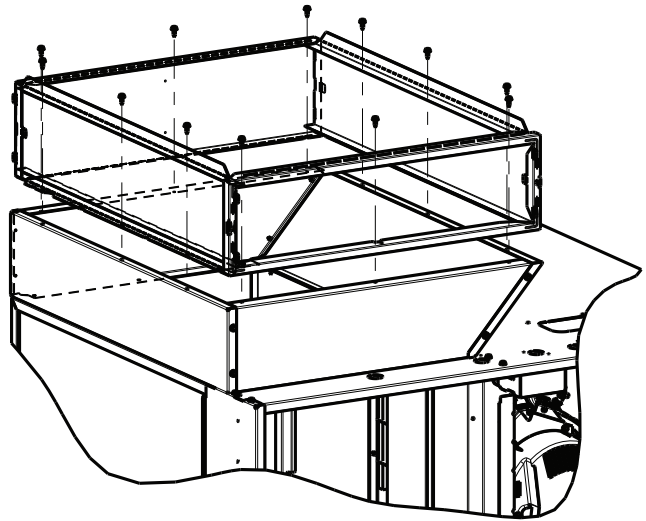
1. Remove the upper and lower doors.
2. Remove the loose parts bag and any other materials shipped inside the furnace.
3. Select the side of the furnace and adapter to be cut out and lay the furnace on the opposite side
4. Mark the required opening in the furnace casing.
5. Verify the marked opening on the furnace matches the Media Cabinet Adapter and the Media Cabinet fits up to the Media Cabinet Adapter. Re-mark if necessary.
6. Cut the return openings in the casing.
7. Attach the Media Cabinet Adapter to the furnace. See Fig 2.



A11359

Fig. 2 - Attach Media Cabinet Adapter

8. Attach the Media Cabinet to the Media Cabinet Adapter. See Fig 3.



A11360

Fig. 3 - Attach Media Cabinet to Adapter

If necessary, seal the Media Cabinet or other air filtration device to the casing with code approved tape or mastic. Allow mastic to dry before inverting the furnace.

Complete the installation of the furnace per the furnace installation instructions.