

**KGBFR0401B14
KGBFR0501B17
KGBFR0601B21
KGBFR0701B24**

**BOTTOM FILTER KIT
FOR CONDENSING AND NON-CONDENSING
GAS FURNACES**

Installation Instructions


Please read these instructions completely before attempting installation.

SAFETY CONSIDERATIONS

Installing and servicing heating equipment can be hazardous due to gas and electrical components. **Only trained and qualified personnel should install, repair, or service heating equipment.** Untrained personnel can perform basic maintenance functions such as cleaning and replacing air filters. All other operations must be performed by trained service personnel. When working on heating equipment, observe precautions in literature, on tags, and on labels attached to or shipped with unit and other safety precautions that may apply.

These instructions cover the minimum requirements and conform to existing national standards and safety codes. In some instances, these instructions exceed certain local codes and ordinances, especially those that may not have kept up with changing residential construction practices. We require these instructions as a minimum for a safe installation.

Wear safety glasses and work gloves. Have a fire extinguisher available during start-up and adjustment procedures and service calls.

Recognize safety information. This is the safety-alert symbol . When you see this symbol on the furnace and in instructions or manuals, be alert to the potential for personal injury.

Understand the signal words DANGER, WARNING, and CAUTION. These words are used with the safety-alert symbol. DANGER identifies the most serious hazards which **will** result in severe personal injury or death. WARNING signifies a hazard which **could** result in personal injury or death. CAUTION is used to identify unsafe practices which **may** result in minor personal injury or product and property damage. NOTE is used to highlight suggestions which **will** result in enhanced installation, reliability, or operation.



WARNING

FIRE, EXPLOSION, ELECTRICAL SHOCK HAZARD

Failure to follow this warning could result in personal injury, death and/or property damage.

The ability to properly perform maintenance on this equipment requires certain knowledge, mechanical skills, tools, and equipment. If you do not possess these, do not attempt to perform any maintenance on this equipment other than those procedures recommended in the Owner's Manual.

INTRODUCTION

These instructions cover the installation of bottom filter racks on an upflow, gas furnace. For use on 80% 33.3 inch (846mm) and 90%+ 35 inch (889mm) multipoise, gas furnaces.



WARNING

FIRE, EXPLOSION, ELECTRICAL SHOCK AND CARBON MONOXIDE POISONING HAZARD

Failure to follow instructions could result in personal injury, death or property damage.

Improper installation, adjustment, alteration, service, maintenance, or use can cause carbon monoxide poisoning, explosion, fire, electrical shock, or other conditions, which could result in personal injury or death. Consult your distributor or branch for information or assistance. The qualified installer or agency must use only factory-authorized kits or accessories when servicing this product.



WARNING

ELECTRICAL SHOCK HAZARD

Failure to follow this warning could result in personal injury or death.

Before installing, modifying, or servicing system, main electrical disconnect switch must be in the OFF position and install a lockout tag. There may be more than one electrical supply to the furnace. Check accessories and cooling unit for additional electrical supplies that must be shut off during furnace servicing. Lockout and tag switch with a suitable warning label. Verify proper operation after servicing.

DESCRIPTION AND USAGE

This filter rack is designed for use with multipoise gas furnaces to provide bottom inlet of return air. The filter rack comes with a washable filter which can be easily removed as shown in Fig. 2.

INSTALLATION

NOTE: This rack was designed to be installed in two different ways:

- Mount rack to platform and slide furnace onto rack or
- Mount rack directly to furnace.

NOTE: It is recommended for mounting rack directly to furnace, that the installer line up filter rack on bottom of furnace and pre-drill holes in the bottom flange of furnace.

- Take filter out of filter rack.
- Put furnace on its back.
- Remove 2 screws from bottom plate and remove plate.
- Remove bottom closure panel.
- Put bottom plate back on.
- Slide extended flanges on back and sides of rack over furnace casing. Rack should be installed flush with back.

Table 1 – Dimensional Drawing - In. (mm)

KIT NO.	FURNACE WIDTH	A	B
KGBFR0401B14	14-3/16 (360)	11-3/8 (289)	14-1/4 (362)
KGBFR0501B17	17-1/2 (445)	14-5/8 (371)	17-5/8 (448)
KGBFR0601B21	21 (533)	18-1/8 (460)	21-1/8 (537)
KGBFR0701B24	24-1/2 (622)	21-5/8 (549)	24-5/8 (625)

⚠ WARNING

ELECTRICAL OPERATION HAZARD

Failure to follow this warning could result in personal injury or death.

Turn off gas and electrical supplies to unit and install lockout tag before beginning any installation or modification. Follow operating instructions on label attached to furnace.

⚠ CAUTION

CUT HAZARD

Failure to follow this caution may result in personal injury.

Sheet metal parts may have sharp edges or burrs. Use care and wear appropriate protective clothing and gloves when handling parts.

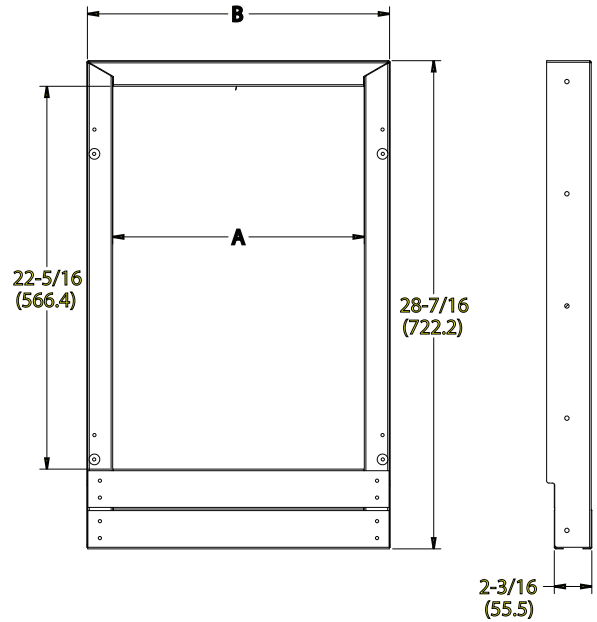
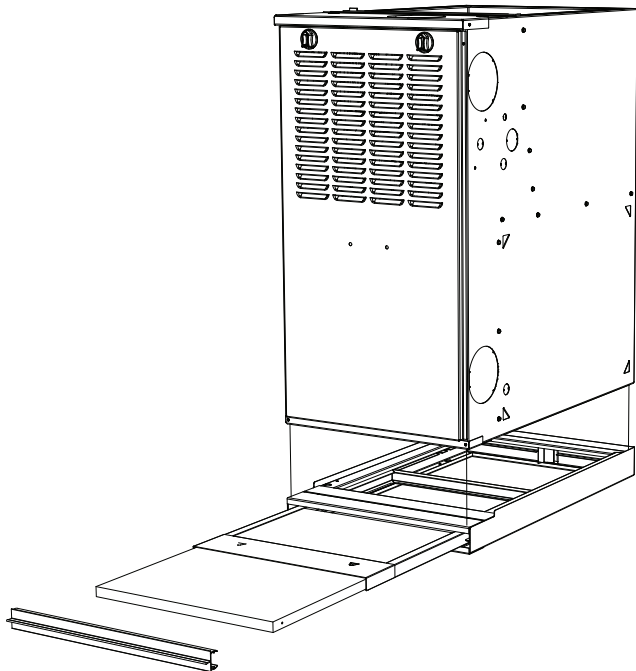
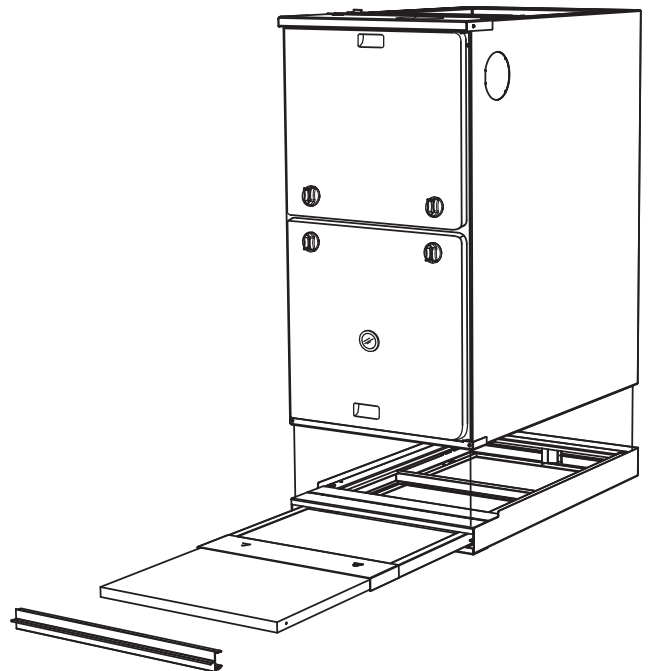


Fig. 1 - Bottom Filter Rack

A10324



A10323



A11547

Fig. 2 - Installing Bottom Filter