

UPS Series 200

Circulator pumps

Installation and operating instructions



UPS Series 200

English (US)

Installation and operating instructions 4

Français (CA)

Notice d'installation et de fonctionnement 21

Español (MX)

Instrucciones de instalación y operación 38

العربية (AR)

تعليمات التركيب و التشغيل 56

English (US) Installation and operating instructions

Original installation and operating instructions

CONTENTS

	Page
1. Limited warranty	4
2. Introduction	5
2.1 Safety warning	5
3. Pre-installation checklist	5
3.1 Confirm you have the correct pump	5
3.2 Check the condition of the pump	5
3.3 Verify electrical requirements	5
3.4 Pumped liquid requirements	6
4. Installation procedures	7
4.1 Electrical preparation	7
4.2 Piping considerations	7
4.3 Connect the pump	8
4.4 Electrical connection	8
5. Starting the pump	10
5.1 Vent the piping system	10
5.2 Check the direction of shaft rotation	10
5.3 Speed selection	11
6. Troubleshooting	13
6.1 Fault finding chart	13
6.2 Preliminary checks	14
6.3 Current measurement	15
6.4 Insulation resistance (lead-to-ground)	15
6.5 Winding resistance (line-to-line)	15
6.6 Winding resistance chart	17
7. Replacing components	19
7.1 Removing the pump head	19
7.2 Fitting the pump head	19
7.3 Replacing the terminal box or capacitor	20
8. Disposal	20

WARNING



Prior to installation, read these installation and operating instructions. Installation and operation must comply with local regulations and accepted codes of good practice.

This booklet should be left with the owner of the pump for future reference and information regarding its operation.

1. Limited warranty

Products manufactured by GRUNDFOS PUMPS CORPORATION (Grundfos) are warranted to the original user only to be free of defects in material and workmanship for a period of 18 months from date of installation, but not more than 24 months from date of manufacture. Grundfos' liability under this warranty shall be limited to repairing or replacing at Grundfos' option, without charge, F.O.B. Grundfos' factory or authorized service station, any product of Grundfos' manufacture. Grundfos will not be liable for any costs of removal, installation, transportation, or any other charges which may arise in connection with a warranty claim. Products which are sold but not manufactured by Grundfos are subject to the warranty provided by the manufacturer of said products and not by Grundfos' warranty. Grundfos will not be liable for damage or wear to products caused by abnormal operating conditions, accident, abuse, misuse, unauthorized alteration or repair, or if the product was not installed in accordance with Grundfos' printed installation and operating instructions.

To obtain service under this warranty, the defective product must be returned to the distributor or dealer of Grundfos' products from which it was purchased together with proof of purchase and installation date, failure date, and supporting installation data. Unless otherwise provided, the distributor or dealer will contact Grundfos or an authorized service station for instructions.

Any defective product to be returned to Grundfos or a service station must be sent freight prepaid; documentation supporting the warranty claim and/or a Return Material Authorization must be included if so instructed.

GRUNDFOS WILL NOT BE LIABLE FOR ANY INCIDENTAL OR CONSEQUENTIAL DAMAGES, LOSSES, OR EXPENSES ARISING FROM INSTALLATION, USE, OR ANY OTHER CAUSES. THERE ARE NO EXPRESS OR IMPLIED WARRANTIES, INCLUDING MERCHANTABILITY OR FITNESS FOR A PARTICULAR PURPOSE, WHICH EXTEND BEYOND THOSE WARRANTIES DESCRIBED OR REFERRED TO ABOVE.

Some jurisdictions do not allow the exclusion or limitation of incidental or consequential damages and some jurisdictions do not allow limit actions on how long implied warranties may last. Therefore, the above limitations or exclusions may not apply to you. This warranty gives you specific legal rights and you may also have other rights which vary from jurisdiction to jurisdiction.

2. Introduction

2.1 Safety warning

2.1.1 Read this booklet

This booklet is designed to help a certified installer install, begin operation of and troubleshoot the Grundfos UPS pumps. The booklet should be left with the owner of the pump for future reference and information regarding its operation. Should the owner experience any problems with the pump, a certified professional should be contacted.

2.1.2 Electrical work

WARNING



All electrical work should be performed by a qualified electrician in accordance with the latest edition of the National Electrical Code, local codes and regulations.

WARNING



A faulty motor or wiring can cause electrical shock that could be fatal, whether touched directly or conducted through standing water. For this reason, proper grounding of the pump to the power supply's grounding terminal is required for safe installation and operation.

In all installations, the above-ground metal plumbing should be connected to the power supply ground as described in Article 250-80 of the National Electrical Code.

3. Pre-installation checklist

3.1 Confirm you have the correct pump

- Read the pump nameplate to make sure it is the one you ordered.
- Compare the pump's nameplate data and its performance curve (for head, gpm, etc.) with the application in which you plan to install it.
- Will the pump do what you expect it to do?

3.2 Check the condition of the pump

The shipping carton your pump came in is specially designed around your pump during production to prevent damage.

As a precaution, it should remain in the carton until you are ready to install it. At that point, look at the pump and examine it for any damage that may have occurred during shipping.

Examine any other parts of the shipment as well for any visible damage.

3.3 Verify electrical requirements

Verification of the electrical supply should be made to be certain the voltage, phase and frequency match that of the pump motor.

The proper operating voltage and other electrical information can be found on the pump nameplate.

These motors are designed to run on $\pm 10\%$ of the nameplate-rated voltage.

Wiring connection diagrams can be found inside the terminal box cover and later in these Installation and Operating Instructions. If voltage variations are larger than $\pm 10\%$, do not operate the pump.

3.4 Pumped liquid requirements

Caution The UPS pump is intended for use with water only.

The pump can be used to circulate:

- Potable hot water
- Water for hydronic heating
- Water/glycol mixtures up to 50/50
- Cooling water

In domestic hot-water systems it is advisable to use bronze pumps (UPS model) only for water with a degree of hardness lower than 14 grains per gallon of hardness. For water with a higher degree of hardness, a direct-coupled Grundfos TP pump is recommended.

If the pump is installed in a heating system, the water should meet the requirements of accepted standards on water quality in heating systems.

In water/glycol mixtures, in order to prevent the glycol from degrading, temperatures above those for which the fluid is rated should be avoided and time spent at high temperatures minimized.

It is also important that the system is cleaned and flushed prior to the installation of the glycol mixture.

In order to avoid problems with corrosion or precipitation, the glycol fluids should be checked and maintained regularly. If further dilution of the supplied glycol is required, follow the requirements of the supplier of the glycol.



WARNING

Glycol with the trade name DEXCOOL® can harm the pump.

DEXCOOL® is a registered trademark of General Motors Corporation, used under license by Texaco Lubricants NA.

The pump is lubricated and cooled by the liquid being pumped. Therefore, the pumped liquid must always be allowed to circulate through the pump. Extended periods without circulation will cause premature wear to the bearings and excessive motor heat. The pumped liquid must also meet the following requirements:

Minimum pump inlet pressure (during operation)

UPS model	At these liquid temperatures					
	167 °F/75 °C		194 °F/90 °C		230 °F/110 °C	
	[psi]	hf	[psi]	hf	[psi]	hf
32-40/4	0.7	1.6	2.2	5.1	21.0	48.5
32-80/2	0.7	1.6	5.1	11.8	23.9	55.2
32-160/2	11.6	26.8	16.0	37.0	34.1	78.8
40-40/4	0.7	1.6	4.4	10.2	23.2	53.6
40-80/4	0.7	1.6	1.5	3.5	18.1	41.8
40-80/2	6.5	15.0	10.9	25.2	29.0	67.0
40-160/2	5.1	11.8	9.4	21.7	27.6	63.8
40-240/2	11.6	26.8	16.0	37.0	34.1	78.8
50-40/4	0.7	1.6	2.9	6.7	21.8	50.4
50-80/4	0.7	1.6	4.4	10.2	23.2	53.6
50-80/2	4.4	10.2	8.7	20.1	26.8	61.9
50-160/2	11.6	26.8	16.0	37.0	34.1	78.8
50-240/2	10.2	23.6	14.5	33.5	32.6	75.3
53-55/57	4.4	10.2	8.7	20.1	26.8	61.9
75-69	11.6	26.8	16	37	34.1	78.8
80-40/4	11.6	26.8	16.0	37.0	34.1	78.8
80-80/4	14.5	33.5	18.9	43.7	37.0	85.5
80-160/2	21.8	50.4	26.1	60.3	43.5	100.5
100-40/4	27.6	63.8	31.9	73.7	50.0	115.5

Liquid temperature range

Continuously:

14 °F (-10 °C) up to 230 °F (110 °C).

Intermittent:

< 284 °F (140 °C) for short periods of time.

Domestic hot water:

< 140 °F (60 °C).

4. Installation procedures

WARNING



Never make any connections in the pump terminal box unless the electrical supply has been switched off.

4.1 Electrical preparation

Terminal box position

At the bottom of the stator, closest to the pump housing, there are eight drain holes to allow condensed water to escape. The drain holes shall not be blocked. The drain holes must point downwards. The terminal box must therefore point upwards in one of the positions shown in fig. 1. The following terminal box positions apply whether the piping is mounted vertically or horizontally.



Fig. 1 Possible terminal box positions

Rotating the terminal box

To change the position of the terminal box, follow these steps:

WARNING



If the pump is already installed in the system, the system must be drained or the isolation valves on both sides of the pump must be closed before the allen-head screws are removed as the pumped liquid may be scalding hot and/or under pressure.

Do not start the pump until the system has been filled with liquid and vented.

1. Remove the four allen-head screws holding the pump head onto the pump housing.
2. Carefully lift the pump head and rotate it so the terminal box is in the desired position. DO NOT locate the terminal box beneath the pump. Make sure the O-ring is properly seated in the pump housing.
3. Replace the pump head onto the pump housing.
4. Tighten the allen-head screws evenly.
Torque:
8 mm: 15 ft lbs
10 mm: 25 ft lbs.

5. Check to make sure the rotor turns freely. Do this by removing the vent plug in the middle of the pump nameplate. Insert a medium size flat-blade screwdriver into the slot at the exposed end of the shaft. Gently turn the shaft. If it does not turn easily, repeat steps 1 to 4 above.
6. The position of the nameplate can be changed by easing the outer edge of the plate at the cutout with a screwdriver. Turn the nameplate to the required position and push into place.
7. Refer to page 19 and page 20 for additional instructions.

4.2 Piping considerations

Thoroughly clean and flush all dirt and sediment from the system before attempting to install the pump.

Location in the piping line

The pump should never be located at the lowest point of the piping system, where dirt and sediment collect. Nor should it be located at the highest point of the piping system, where air accumulates.

Mounting positions

The arrows on the flanges of the pump indicate the direction of water flow. Although the UPS may be installed in either vertical or horizontal piping, the motor shaft must always remain horizontal, as shown in fig. 1 and fig. 2.

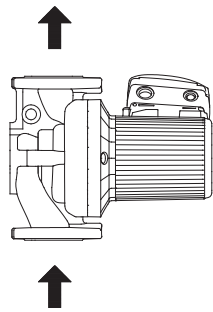


Fig. 2 Direction of water flow through the pump

Note

Pumps installed outdoors must be protected by a ventilated, watertight cover to keep out moisture and dirt.

WARNING



The pump must be positioned so that someone cannot accidentally come into contact with the hot surfaces of the pump.

TM03 7296 4706

TM03 7290 4706

4.3 Connect the pump

Install the pump into the piping system.

Grundfos recommends that pressure gauges be installed in the inlet and discharge flanges or pipes to check pump and system performance.

4.4 Electrical connection

The electrical connection and protection should be carried out in accordance with the latest edition of the National Electrical Code, local codes and regulations by a qualified electrician.

WARNING



Never make any connections in the pump terminal box unless the electrical supply has been switched off.

The pump must be grounded.

The pump must be connected to an external main power switch.

The operating voltage and frequency are marked on the pump nameplate. Make sure that the motor is suitable for the electrical supply it is being installed to.

The pump should be grounded to protect against indirect contact and a ground fault interrupter can be used as extra protection.

Multi-speed pump (single-phase)

All single-phase pumps are equipped with built-in, automatic resetting, thermal overload protection. The pump is protected at all three speeds.

Multi-speed pump (three-phase)

The pump must be connected to the electrical supply via an external contactor. The contactor must be connected to the built-in thermal overload switch terminals T1 and T2 (3 x 208-230 V) or P1 and P2 (3 x 460 V and 575 V) to protect the pump against overloading at all three speeds.

OR: If the pump is protected by means of a motor starter, the starter must be set to the current consumption of the pump at the selected speed. The motor starter setting must be changed every time the pump speed is changed. The current consumption at the individual speeds is stated on the pump nameplate.

Figures 4, 6, 7, 9, and 10 on the next pages show the possible connections.

4.4.1 UPS 1 x 115 V and 1 x 230 V terminal box

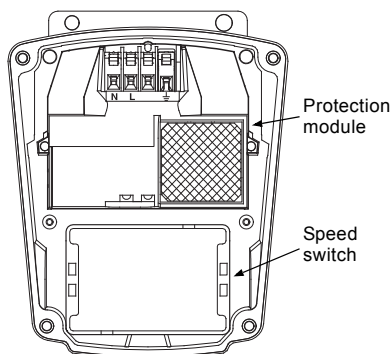


Fig. 3 UPS 1 x 115 V and 1 x 230 V terminal box

TM03 7744 4806

All UPS single-phase pumps come with a protection module and a speed switch as shown in fig. 3. All pumps are equipped with built-in, automatic resetting, thermal overload protection. The pump is protected at all three speeds.

Wiring diagrams

Figure 4 shows the electrical connections for a single-phase pump with protection module.

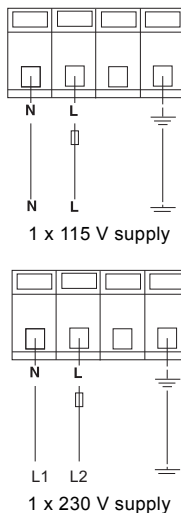


Fig. 4 1 x 115 V and 1 x 230 V supply

TM03 7743 4806

Note

Provide electrical disconnect and current protection as per local electrical codes.

K = External contactor sized to FL and LR pump current.

4.4.2 UPS 3 x 208-230 V terminal box

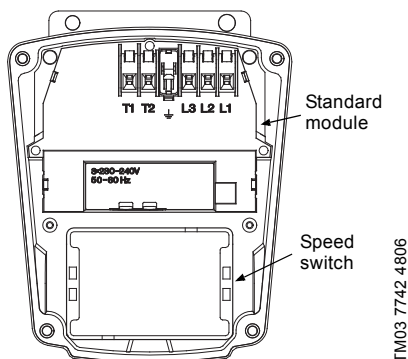


Fig. 5 UPS 3 x 208-230 V terminal box

All UPS pumps with three-phase x 208-230 V come with a standard module and a speed switch as shown in fig. 5. All pumps are equipped with an internal thermal overload switch (terminals T1 and T2, to be connected to an external contactor) to protect the pump at all three speeds.

Wiring diagrams

Figure 6 shows the electrical connections when using an external changeover contact (safety circuit) for start/stop push button station.

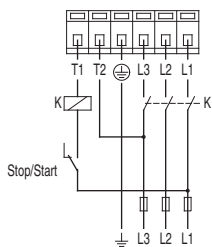


Fig. 6 External changeover contact

Auxiliary contacts rated for supply voltage.

Figure 7 shows the electrical connections when using external impulse contacts (momentary contacts) for start/stop push button station.

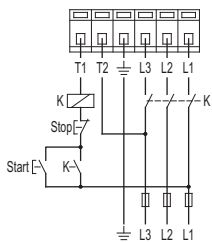


Fig. 7 External impulse contacts

4.4.3 UPS 3 x 460 V and 575 V terminal box

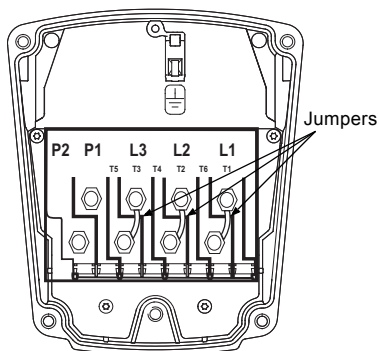


Fig. 8 UPS 3 x 460 V and 575 V terminal box

All UPS pumps with three-phase x 460 V and 575 V terminal boxes (fig. 8) come with a special two-speed terminal box. The speed is changed by the orientation of the jumpers as shown on page 12. All pumps are equipped with an internal thermal overload switch (terminals P1 and P2) to be connected to external contactor.

Wiring diagrams

Figure 9 shows the electrical connections when using an external changeover contact (safety circuit) for start/stop push button station.

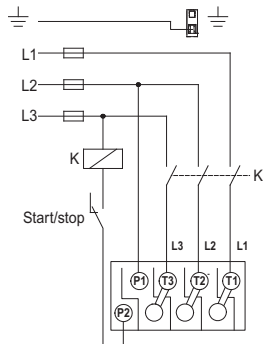


Fig. 9 External changeover contact

Auxiliary contacts rated for supply voltage.

TM03 7742 4806

TM03 7739 4806

TM03 7892 5106

TM03 7738 5106

TM03 7740 4806

Figure 10 shows the electrical connections when using external impulse contacts (momentary contacts) for start/stop push button station.

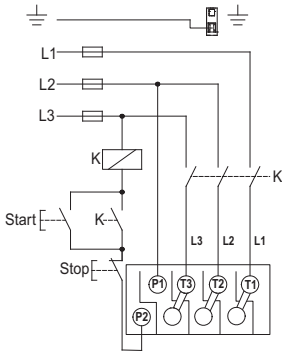


Fig. 10 External impulse contacts

TM03 7737 4806

5. Starting the pump

5.1 Vent the piping system

After the pump has been installed and the electrical connections made, the piping system must be vented.

Caution Never operate the pump dry - the system must first be filled with liquid and vented.

Note Do not vent the piping system through the pump.

Instead, follow these steps:

1. Fill and pressurize the system with liquid, and vent all trapped air from the piping by suitable means.
2. If any isolation valves are used, make sure they are OPEN.

WARNING



If the vent screw is to be loosened, care should be taken to ensure that the escaping scalding hot liquid does not cause personal injury or damage to components (see fig. 12).

5.2 Check the direction of shaft rotation

Applies to 460 V and 575 V two-speed models only

(The direction of rotation of three-speed pumps is checked by means of the fault finding chart, page 13 and page 14).

1. Make sure that the power is OFF.
2. Unscrew and remove the vent plug located at the center of the nameplate.
3. Insert a small, flat-blade screwdriver into the slot in the end of the motor shaft (see fig. 12). Rotate the shaft with the screwdriver to make sure it does so freely.
4. Bump the pump and watch to see which direction the shaft rotates. The shaft must rotate in the counterclockwise direction as shown on the nameplate (see fig. 11).
5. If the pump shaft is rotating incorrectly, disconnect the power and interchange any two power leads in the terminal box.
6. Check once again for proper counterclockwise rotation. When it is rotating correctly, replace the vent plug.

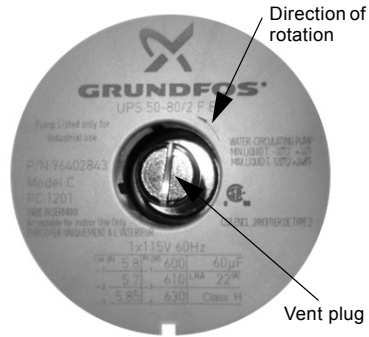


Fig. 11 Vent plug and direction of rotation

TM03 7750 1512

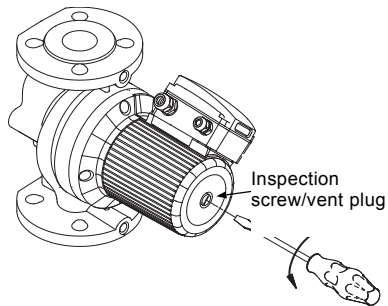


Fig. 12 Removing the vent plug

TM03 7277 4706

5.3 Speed selection

5.3.1 Three-speed pumps, all models except 3 x 460 V and 575 V

The speed switch in the terminal box can be turned to three positions. The speed in the three positions appears in the table below (also see fig. 13).

Switch position	Speed in % of maximum speed	
	Single-phase pumps	Three-phase pumps
1	approx. 60 %	approx. 70 %
2	approx. 80 %	approx. 85 %
3	100 %	100 %

Changing to lower speeds offers considerable reduction in energy consumption and less noise in the system.

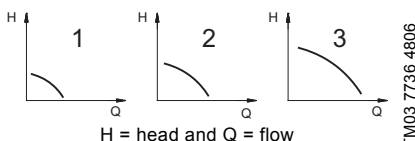


Fig. 13 Pump performance at speed settings

TM03 7736 4806



WARNING

Never make any connections in the pump terminal box unless the electrical supply has been switched off.

Change the pump performance as follows:

- Switch off the electrical supply to the pump at the main circuit breaker.
The green indicator light in the terminal box must be off.
- Remove the terminal box cover by loosening the four screws in the cover.
- Pull out the speed switch module and re-insert it so that the desired speed is visible through the window in the terminal box (see fig. 14).

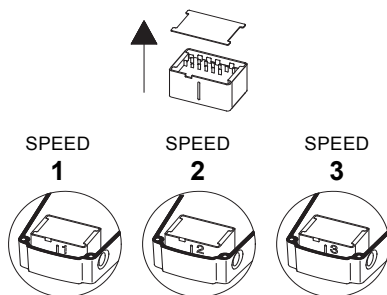


Fig. 14 Speed switch module

TM03 7735 4806

Note

When changing to and from speed 1, the cover of the speed switch module must be removed and fitted on the other side of the switch.

- Fit the terminal box cover back onto the terminal box and tighten the four screws in the cover.
- Switch on the electrical supply. Check that the green indicator light is permanently on or flashing.

Note

The speed switch module must never be used as an on/off switch.

5.3.2 Two-speed pumps, 3 x 460 V and 575 V

The speed setting in the terminal box can be changed to two positions. The speed in the two positions appears in the table below (also see fig. 13 on page 11).

Speed step	Speed in % of max. speed
1	approx. 75 %
2	100 %

WARNING



Never make any connections in the pump terminal box unless the electrical supply has been switched off.

Change the pump performance as follows:

The speed is changed by the position of the jumpers in the terminals. The jumpers are fitted according to:

- figure 15 for speed 1 - low speed
- figure 16 for speed 2 - high speed.

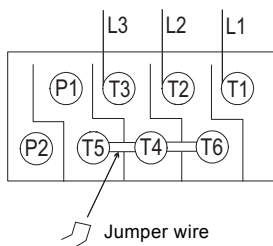


Fig. 15 Speed 1 (low speed)

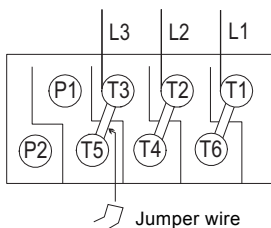


Fig. 16 Speed 2 (high speed)

TM03 7734 4806

TM03 7733 4806

6. Troubleshooting

6.1 Fault finding chart

WARNING



Before removing the terminal box cover, make sure that the electrical supply has been switched off and that it cannot be accidentally switched on.

The pumped liquid may be scalding hot and under high pressure. Before any removal or dismantling of the pump, the system must be drained or the isolation valves on both sides of the pump must be closed.

Fault	Cause	Remedy
1. The pump does not run. None of the indicator lights are on.	a) One fuse in the installation is blown.	Replace the fuse.
	b) External circuit breaker is switched off.	Switch the circuit breaker on.
	c) Current-/voltage-operated ground fault interrupter has tripped.	Repair the insulation defects and reset the interrupter.
	d) The pump's internal thermal overload switch has cut out (standard module only).	Check that the liquid temperature falls within the specified range. With external on/off changeover contact: The pump will restart automatically when it has cooled to normal temperature. With external on/off impulse contacts: The pump can be restarted when it has cooled to normal temperature.
2. The pump does not run. The green indicator light is on.	a) Rotor blocked, but the pump hasn't been cut out by the thermal overload switch.	Switch off the electrical supply and clean/repair the pump.
	b) The speed switch module has not been fitted.	Switch off the electrical supply at the external circuit breaker and fit the speed switch module into position.
3. Three-phase pumps only: The pump is running. The red and green indicator lights are on.	a) The pump is running with the wrong direction of rotation.	Switch off the electrical supply at the external circuit breaker and interchange any two phases (leads) in the pump terminal box.
4. Noise in the system. The green indicator light is on.	a) Air in the system.	Vent the system.
	b) The pump flow is too high.	Reduce the pump performance.
	c) The pressure is too high.	Reduce the pump performance.
5. Noise in the pump. The green indicator light is on.	a) Air in the pump.	Vent the pump.
	b) The inlet pressure is too low.	Increase the inlet pressure and/or check the air volume in the expansion tank (if installed).
6. Insufficient heat in some places in the heating system.	a) The pump performance is too low.	Increase the pump performance, if possible, or replace the pump with a pump with higher flow.

Fault	Cause	Remedy
7. Single-phase pumps with protection module (only). The pump does not run. The red indicator light is on. The green indicator light is off.	a) The pump has been cut out by the thermal overload switch due to high liquid temperature or blocked rotor.	Check that the liquid temperature falls within the specified range. The pump will restart automatically when it has cooled to normal temperature. NOTE: If the thermal overload switch has cut out the pump three times within a short period, the pump must be restarted manually by switching off the electrical supply.
	b) The speed switch module has not been fitted.	Switch off the electrical supply by means of the external mains switch and fit the speed switch module.

6.2 Preliminary checks

Supply voltage

To check the voltage being supplied to the motor, use a voltmeter.

WARNING



Be careful, since power is still being supplied to the pump. Do not touch the voltmeter leads together while they are in contact with the power lines.

Evaluation

When the motor is under load, the voltage should be within 10 % (+ or -) of the nameplate voltage. Any variation larger than this may indicate a poor electrical supply and can cause damage to the motor windings. The motor should not be operated under these conditions. Contact your power supplier to correct the problem or change the motor to one requiring the voltage you are receiving.

Single-phase motors

Three-phase motors

Touch one voltmeter lead to each of the lines supplying power to the pump:

- L and N for 115 V circuits
- L1 and L2 for 230 V circuits.

Touch a voltmeter lead to:

- Power leads L1 and L2
- Power leads L2 and L3
- Power leads L3 and L1.

These tests should give a reading of full line voltage.

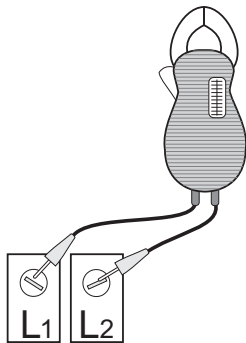


Fig. 17 Checking single-phase power

TM03 7749 4806

6.3 Current measurement

To check the current, use an ammeter.

To do so, follow these steps:

1. Make sure the pump is operating.
2. Set the ammeter to the proper scale.
3. Place the tongs of the ammeter around the leg to be measured.
4. Compare the results with the amp draw information on the motor nameplate.
5. Repeat for the other legs.

Evaluation

If the current draw exceeds the listed nameplate amps, or if the current imbalance is greater than 5 % between each leg on three-phase units, then check the following:

- The voltage supplied to the pump may be too high or too low.
- The contacts on the motor starter may be burned.
- The terminals in the starter or terminal box may be loose.
- There may be a winding defect. Check the winding and insulation resistance.
- The motor windings may be shorted or grounded.
- The pump may be damaged in some way and may be causing a motor overload.
- A voltage supply or balance problem may exist.

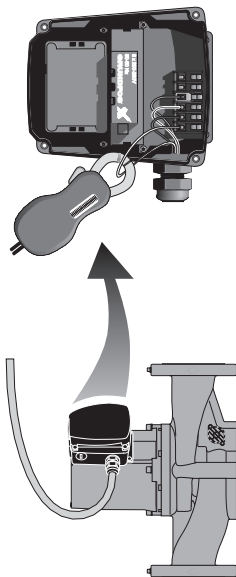


Fig. 18 Current measurement

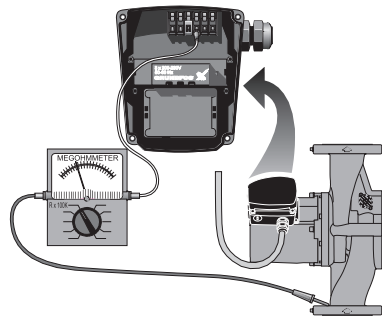
TM03 7293 4706

6.4 Insulation resistance (lead-to-ground)

To check the insulation resistance (lead-to-ground) of the motor and leads, a megohmmeter is required.

To do so, follow these steps:

1. Turn the POWER OFF.
2. Disconnect all electrical leads to the motor.
3. Set the scale selector on the megohmmeter to R x 100K, touch its leads together, and adjust the indicator to zero.
4. Touch the leads of the megohmmeter individually to each of the motor leads and to ground (i.e. L1 to ground; L2 to ground, etc.).



TM03 7293 4706

Fig. 19 Insulation resistance measurement

Evaluation

The resistance values for new motors must exceed 1,000,000 ohms. If they do not, replace the motor.

6.5 Winding resistance (line-to-line)

To check the winding resistance of the motor windings, a megohmmeter is required.

To do so, follow these steps:

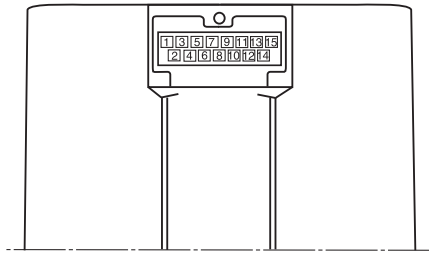
1. Turn the POWER OFF.
2. Disconnect all electrical leads to the motor.
3. Set the scale selector on the megohmmeter to R x 1, touch its leads together, and adjust the indicator to zero.
4. Using the charts below for reference, touch the leads of the megohmmeter to the appropriate pair of connectors. Check all pairs that are present and write down and label (RA, RS₁, RS₂, R) all readings.
5. Compare your readings to the matching model, phase and voltage on the chart on page 17 and page 18.

Evaluation

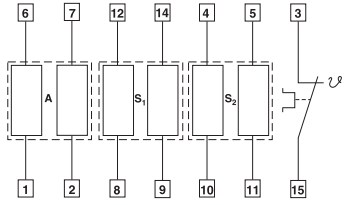
The resistance values must fall within the tolerances listed on page 17 or page 18. If they do not, replace the motor.

Internal wiring UPS

Terminal plug in stator



Single-phase



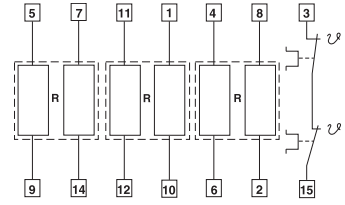
- RA: 6-1 or 6-1, 7-2
- RS₁: 12-8 or 12-8, 14-9
- RS₂: 4-10 or 4-10, 5-11

RA: Main winding

RS₁: Auxiliary winding

RS₂: Auxiliary winding

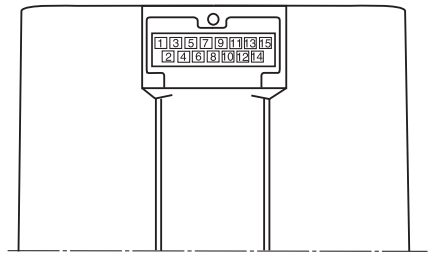
Three-phase 208-230 V



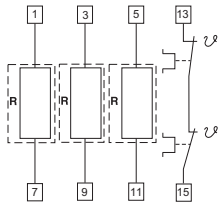
- R: 5-9 or 5-9, 7-14
- R: 11-12 or 11-12, 1-10
- R: 4-6 or 4-6, 8-2

Internal wiring UPS

Terminal plug in stator



Three-phase 460/575 V



6.6 Winding resistance chart

60 Hz

Pump type	Voltage	[Ω] 68 °F - 122 °F (20 °C - 50 °C)			
		R	RA	RS ₁	RS ₂
UPS 32-40/4	1 x 115 V		17.8 - 23.2	3.95 - 5.20	9.40 - 12.4
	1 x 230 V		70.0 - 91.5	17.0 - 22.2	39.5 - 52.0
	3 x 208-230 V	180 - 236			
	3 x 460 V	360 - 470			
	3 x 575 V	575 - 750			
UPS 32-80/2	1 x 115 V		9.55 - 12.6	3.05 - 4.00	6.70 - 8.80
	1 x 230 V		19.4 - 25.5	5.45 - 7.10	12.6 - 16.4
	3 x 208-230 V	44.0 - 57.5			
	3 x 460 V	83.5 - 110			
	3 x 575 V	132 - 174			
UPS 32-160/2	1 x 115 V		4.15 - 5.45	1.20 - 1.56	2.65 - 3.50
	1 x 230 V		8.30 - 10.8	2.20 - 2.90	5.05 - 6.65
	3 x 208-230 V	26.0 - 34.0			
	3 x 460 V	53.5 - 70.0			
	3 x 575 V	84.5 - 110			
UPS 40-40/4	1 x 115 V		11.4 - 15.0	2.95 - 3.85	5.60 - 7.35
	1 x 230 V		50.5 - 66.5	14.0 - 18.4	25.5 - 34.0
	3 x 208-230 V	118 - 154			
	3 x 460 V	234 - 310			
	3 x 575 V	360 - 475			
UPS 40-80/2	1 x 115 V		5.60 - 7.35	1.84 - 2.42	4.50 - 5.90
	1 x 230 V		11.0 - 14.4	3.95 - 5.20	8.55 - 11.2
	3 x 208-230 V	32.0 - 42.0			
	3 x 460 V	64.0 - 84.0			
	3 x 575 V	102 - 132			
UPS 40-80/4	1 x 115 V		4.15 - 5.45	1.94 - 2.55	3.30 - 4.35
	1 x 230 V		8.10 - 10.6	3.05 - 4.00	4.60 - 6.05
	3 x 208-230 V	46.5 - 61.0			
	3 x 460 V	90.5 - 118			
	3 x 575 V	164 - 216			
UPS 40-160/2	1 x 115 V		2.85 - 3.75	1.10 - 1.44	1.94 - 2.55
	1 x 230 V		5.60 - 7.35	2.02 - 2.66	3.75 - 4.95
	3 x 208-230 V	22.8 - 30.0			
	3 x 460 V	45.5 - 59.5			
	3 x 575 V	72.0 - 95.0			
UPS 40-240/2	1 x 230 V		6.80 - 8.95	2.02 - 2.65	3.70 - 4.85
	3 x 208-230 V	11.0 - 14.4			
	3 x 460 V	22.0 - 29.0			
	3 x 575 V	35.0 - 45.5			

Pump type	Voltage	[Ω] 68 °F - 122 °F (20 °C - 50 °C)			
		R	RA	RS ₁	RS ₂
UPS 50-40/4	1 x 115 V		6.55 - 8.55	2.12 - 2.80	4.30 - 5.65
	1 x 230 V		25.0 - 33.0	8.30 - 10.8	15.0 - 19.8
	3 x 208-230 V	57.5 - 75.0			
	3 x 460 V	114 - 148			
	3 x 575 V	184 - 242			
UPS 50-80/2	1 x 115 V		4.15 - 5.45	1.20 - 1.56	2.65 - 3.50
	1 x 230 V		8.30 - 10.80	2.20 - 2.90	5.05 - 6.65
	3 x 208-230 V	26.0 - 34.0			
	3 x 460 V	33.5 - 70.0			
	3 x 575 V	84.5 - 110			
UPS 50-80/4	1 x 115 V		2.75 - 3.60	1.74 - 2.30	2.85 - 3.75
	1 x 230 V		5.50 - 7.25	2.65 - 3.50	4.95 - 6.50
	3 x 208-230 V	37.0 - 49.0			
	3 x 460 V	79.0 - 104			
	3 x 575 V	120 - 156			
UPS 50-160/2	1 x 230 V		6.80 - 8.95	2.02 - 2.65	3.70 - 4.85
	3 x 208-230 V	12.4 - 16.2			
	3 x 460 V	24.2 - 31.5			
	3 x 575 V	37.5 - 49.5			
UPS 50-240/2	3 x 208-230 V	7.80 - 10.2			
	3 x 460 V	15.6 - 20.6			
	3 x 575 V	25.0 - 33.0			
UPS 53-55/57	1 x 115 V		4.15 - 5.45	1.20 - 1.56	2.65 - 3.50
	1 x 230 V		8.30 - 10.80	2.20 - 2.90	5.05 - 6.65
	3 x 208-230 V	26.0 - 34.0			
	3 x 460 V	33.5 - 70.0			
	3 x 575 V	84.5 - 110			
UPS 75-69	1 x 230 V		6.80 - 8.95	2.02 - 2.65	3.70 - 4.85
	3 x 208-230 V	12.4 - 16.2			
	3 x 460 V	24.2 - 31.5			
	3 x 575 V	37.5 - 49.5			
UPS 80-40/4	3 x 208-230 V	46.5 - 61.0			
	3 x 460 V	90.5 - 118			
	3 x 575 V	164 - 216			
UPS 80-80/4	3 x 208-230 V	23.6 - 31.0			
	3 x 208-230 V	7.80 - 10.2			
UPS 80 -160/2	3 x 460 V	15.6 - 20.6			
	3 x 575 V	25.0 - 33.0			
	3 x 208-230 V	27.5 - 36.0			
UPS 100-40/4	3 x 460 V	54.5 - 71.5			
	3 x 575 V	86.0 - 114			

7. Replacing components

7.1 Removing the pump head

1. Disconnect or TURN OFF the power supply.
2. Close any isolation valves on either side of the pump to avoid draining the system of liquid.
3. Disconnect the electrical leads from the terminal box.
4. Disconnect and remove the conduit from the terminal box.
5. Loosen and remove the four allen-head screws (8 or 10 mm) which connect the pump head housing to the pump housing.
6. Remove the pump head from the pump housing.
7. Clean the machined surfaces in the pump housing of any foreign material.

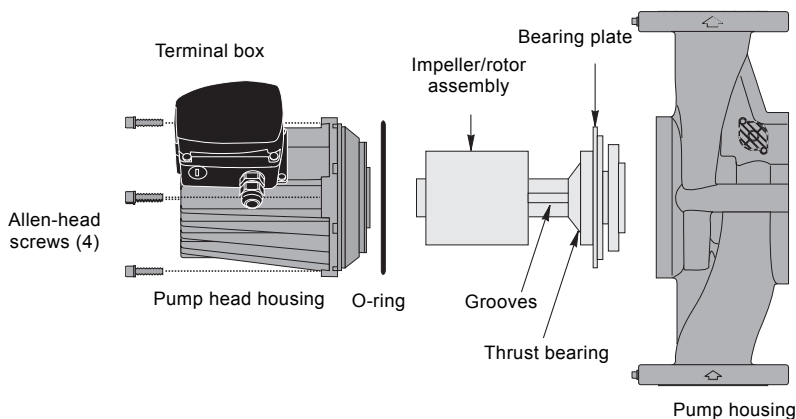


Fig. 20 Removing and fitting the pump head

7.2 Fitting the pump head

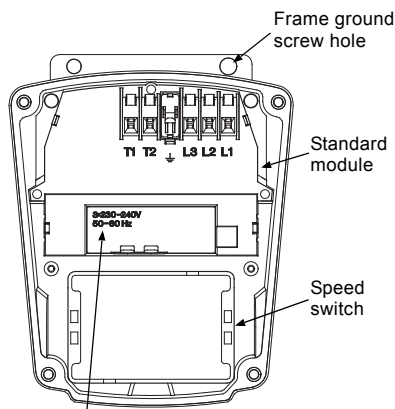
1. Carefully remove the new pump head assembly from its packaging. Separate the impeller/rotor assembly from the new pump head.
2. While holding the thrust bearing, carefully place the impeller/rotor assembly into the pump housing. The bearing plate should fit snugly into the lowest machined surface in the pump housing.
3. Make sure that the impeller/rotor assembly can rotate freely.
4. Place the O-ring over the rotor and locate it into the inner diameter of the pump housing.
5. Carefully place the pump head housing over the rotor and rotate it so the terminal box is in the position you wish, see section 4.1 under *Terminal box position*.
6. Make sure the pump head housing is properly seated on the pump housing. **Do not force the two together** - if there is binding, disassemble them and repeat steps 2 to 6. Tighten the allen-head screws evenly to secure the pump head.
Torque:
8 mm: 15 ft lb
10 mm: 25 ft lb.
7. Check to make sure the motor shaft turns freely, as explained in section 4.1 under *Rotating the terminal box*.

TM03 7292 4706

7.3 Replacing the terminal box or capacitor

If the terminal box is replaced, make certain the electrical information listed on the new box matches the information listed on the old box, and that it is compatible with the pump and incoming electrical supply.

For all terminal boxes, it is very important to tightly secure the frame grounding screw through the terminal box, so that a proper connection between the terminal box and motor is made.



Electrical information

Fig. 21 Terminal box

TMO3 7742 4806

All	1.	Before replacing the terminal box or capacitor, make sure the power is OFF.
	2.	Remove the terminal box cover by completely loosening all four torx/standard screws.
	3.	Remove the speed switch (noting its position) by pulling firmly and evenly on both sides of it. (Not for 460/575 V).
Capacitor	a.4.	Capacitor replacement, single-phase pumps only: Disconnect the two connector clips from the capacitor and unscrew the complete plastic strain relief nut. Remove capacitor wire and strain relief.
	a.5.	Screw in new complete strain relief nut and connect new clip connectors. Pull excess sheathed cable out of terminal box, being sure to leave at least 1/8" of sheath inside of terminal box.
Terminal box	b.4.	Terminal box replacement: Disconnect all wiring, remove the three phillips-head screws holding the terminal box in place and remove the terminal box by pulling firmly and evenly on both sides.
	b.5.	Check that the clear rubber gasket is in place around the terminal box connector stem, carefully press the terminal box into the stator socket, replace the three phillips-head terminal box screws and replace wiring.
All	6.	Replace the speed switch to its proper position, making sure to push it all the way in. (Not for 460/575 V).
	7.	Replace the terminal box cover and tighten all four torx/standard screws.
	8.	Switch on electrical power supply. The pump is now ready for operation.

8. Disposal

This product or parts of it must be disposed of in an environmentally sound way:

1. Use the public or private waste collection service.
2. If this is not possible, contact the nearest Grundfos company or service workshop.

Subject to alterations.

Traduction de la version anglaise originale

SOMMAIRE

	Page
1. Garantie limitée	21
2. Introduction	22
2.1 Vertissements de sécurité	22
3. Liste de vérification pour la préinstallation	22
3.1 Assurez-vous d'avoir la bonne pompe	22
3.2 Vérifiez l'état de la pompe	22
3.3 Vérifiez les exigences électriques	22
3.4 Conditions ayant trait au liquide pompé	23
4. Procédure d'installation	24
4.1 Préparation aux travaux électriques	24
4.2 Tuyauterie	24
4.3 Raccordement de la pompe	25
4.4 Connexions électriques	25
5. Démarrage de la pompe	27
5.1 Expulser l'air du système de tuyauterie	27
5.2 Vérifier le sens de rotation de l'arbre	28
5.3 Sélection de la vitesse	28
6. Résolution des problèmes	30
6.1 Tableau de recherche de défauts	30
6.2 Mesurer la tension d'alimentation	31
6.3 Mesure du courant	32
6.4 Résistance d'isolement (entre le fil et la masse)	32
6.5 Résistance d'enroulement (phase à phase)	32
6.6 Tableau de résistance d'enroulement	34
7. Remplacement de composants	36
7.1 Démontage de la tête de pompe	36
7.2 Montage de la tête de pompe	36
7.3 Remplacer le boîtier de raccordement ou le condensateur	37
8. Mise au rebut	37

1. Garantie limitée

Les produits fabriqués par GRUNDFOS PUMPS CORPORATION (Grundfos) sont couverts par une garantie à l'utilisateur initial à l'effet qu'ils sont exempts de vices attribuables aux matériaux et à la fabrication pour une période de 24 mois après la date d'installation, mais sans excéder une période de 30 mois après la date de fabrication. Selon les termes de cette garantie, la responsabilité de Grundfos se limitera à réparer ou à remplacer sans frais, à la discrétion de Grundfos et FAB de l'usine de Grundfos ou d'un poste de service autorisé, tout produit provenant de l'usine de Grundfos. Grundfos ne sera pas responsable des frais d'enlèvement, d'installation, de transport, ou de tous les autres frais pouvant être encourus dans le cadre d'une demande d'indemnité concernant la garantie. Les produits vendus, mais qui ne sont pas fabriqués par Grundfos, sont couverts par la garantie offerte par les fabricants de ces produits, et ils ne sont pas couverts par la garantie de Grundfos. Grundfos ne sera pas responsable de la détérioration des produits ou des produits endommagés dans les cas suivants : conditions d'utilisation anormales, accidents, abus, mauvais usage, modification ou réparation non autorisée, ou lorsque le produit n'a pas été installé conformément aux instructions écrites de Grundfos concernant l'installation et l'exploitation.

Pour obtenir un service selon les termes de cette garantie, vous devez retourner le produit défectueux au distributeur ou au fournisseur de produits Grundfos qui vous a vendu le produit, incluant la preuve d'achat et la date d'installation, la date de la défaillance, et les informations concernant l'installation. Sauf disposition contraire, le distributeur ou le fournisseur contactera Grundfos ou un poste de service autorisé pour obtenir les instructions. Tout produit défectueux doit être retourné "fret payé à l'avance" à Grundfos ou à un poste de service. Les documents décrivant la demande d'indemnité aux termes de la garantie et/ou une autorisation de retour de marchandise doivent être inclus si exigé.

GRUNDFOS NE SERA PAS RESPONSABLE DES DOMMAGES INDIRECTS OU CONSÉQUENTS, DES PERTES, OU DES FRAIS DÉCOULANT DE L'INSTALLATION, L'UTILISATION, OU DE TOUTE AUTRE CAUSE. IL N'EXISTE AUCUNE GARANTIE EXPRESSE OU IMPLICITE, INCLUANT LA QUALITÉ MARCHANDE OU L'ADAPTATION À UNE FIN PARTICULIÈRE, QUI OUTREPASSE LES GARANTIES DÉCRITES OU RÉFÉRENCÉES CI-DESSUS.

AVERTISSEMENT



Avant l'installation, lisez ces Notice d'installation et de fonctionnement. Installation et fonctionnement doivent être conformes aux réglementations locales et les codes acceptés de bonnes pratiques.

Ce livret doit être remis au propriétaire de la pompe pour référence future et des informations concernant son fonctionnement.

Certaines juridictions ne permettent pas l'exclusion ou la limitation des dommages indirects ou consécutifs, et certaines juridictions ne permettent pas de limiter la durée des garanties implicites. Il est donc possible que les limitations ou que les exclusions mentionnées précédemment ne s'appliquent pas à vous. Cette garantie vous accorde des droits légaux spécifiques, et vous pouvez également avoir d'autres droits qui varient d'une juridiction à l'autre.

2. Introduction

2.1 Vertissements de sécurité

2.1.1 Lisez ce manuel

Ce manuel est destiné à aider l'installateur certifié à installer, faire fonctionner et réparer la pompe Grundfos UPS. Le manuel devrait être laissé au propriétaire de la pompe pour référence future. Si la pompe présente des problèmes, communiquez avec un professionnel certifié.

2.1.2 Travaux électriques

ADVERTISSEMENT



Tout travail électrique doit être effectué par un électricien qualifié en vertu de la dernière édition du National Electrical Code (É.-U.) ou du Code national de l'électricité (Canada) en plus des codes et des règlements locaux.

ADVERTISSEMENT

Un moteur ou des câbles défectueux peuvent entraîner des chocs électriques pouvant être fatals lorsque touchés directement ou mis en contact avec de l'eau. C'est pourquoi une mise à la terre efficace de la pompe sur la borne de la source d'alimentation est nécessaire pour assurer une installation et une utilisation sans danger.



Dans toutes les installations, les pièces de plomberie en métal situées au-dessus du sol doivent être raccordées à la mise à la terre de la source d'alimentation tel que précisé dans l'article 250-80 du National Electrical Code (É.-U.) ou dans le règlement 10-406 du Code national de l'électricité (Canada).

3. Liste de vérification pour la préinstallation

3.1 Assurez-vous d'avoir la bonne pompe

- Lisez la plaque signalétique de la pompe pour vérifier qu'il s'agit bien de celle que vous avez commandée.
- Comparez les données de la plaque signalétique et la courbe de rendement de la pompe (débit, hauteur d'aspiration, gal/min., etc.) avec les demandes qu'elle devra rencontrer.
- Assurez-vous que la pompe puisse répondre à vos besoins.

3.2 Vérifiez l'état de la pompe

Le carton dans lequel vous avez reçu votre pompe est spécialement conçu pour épouser la forme de celle-ci. Il est disposé autour d'elle en cours de production afin de prévenir les dommages.

En guise de précaution, laissez la pompe dans le carton jusqu'à son installation. À ce moment, examinez la pompe pour tout dommage qu'elle aurait pu subir au cours du transport.

Examinez également toute autre pièce pour vérifier s'il y a bris.

3.3 Vérifiez les exigences électriques

La vérification de la source d'alimentation doit être effectuée pour s'assurer que la tension, la phase et la fréquence correspondent à celles du moteur de la pompe. Ces données sont indiquées sur la plaque signalétique de la pompe.

Le moteur est conçu pour fonctionner à une tension située à $\pm 10\%$ de la tension énoncée sur la plaque signalétique.

Les schémas de câblage se trouvent à l'intérieur du couvercle du boîtier de raccordement, et plus loin dans ce manuel. Si les variations de la tension sont supérieures à $\pm 10\%$, ne faites pas fonctionner la pompe.

3.4 Conditions ayant trait au liquide pompé

Précaution La pompe UPS est destinée à pomper uniquement de l'eau.

Il peut s'agir d'eau

- chaude et potable
- pour système de chauffage à eau chaude
- mélanges eau/glycol jusqu'à 50/50
- de refroidissement

Il est recommandé d'utiliser des pompes en bronze (modèle UPS) dans les systèmes d'eau domestique où la dureté de l'eau est inférieure à 14 grains par gallon impérial. Pour de l'eau avec une dureté supérieure, une pompe à moteur ventilé type TP est recommandée.

Si la pompe est installée dans un système de chauffage, l'eau devra répondre aux critères de normes admises concernant la qualité de l'eau dans les installations de chauffage.

Dans mélanges eau / glycol, afin d'empêcher le glycol de dégrader, des températures supérieures à celles pour lesquelles le fluide est classé doit être évitée et le temps passé à des températures élevées minimisées.

Il est également important que le système est nettoyé et rincé avant l'installation du mélange de glycol.

Afin d'éviter des problèmes de corrosion ou de la précipitation, les fluides de glycol devraient être vérifiés et entretenus régulièrement. Si une dilution supplémentaire du glycol fourni est nécessaire, suivez les exigences du fournisseur de la glycol.



ADVERTISSEMENT

Glycol avec le nom commercial DEX-COOL® peut nuire à la pompe.

DEXCOOL® est une marque déposée de General Motors Corporation, utilisée sous licence par Texaco Lubrifiants NA.

La pompe comporte un rotor immergé qui est lubrifié et refroidi par le liquide pompé.

Le liquide doit donc demeurer en circulation.

De longues périodes sans circulation causeront une usure prématurée des roulements, qui pourrait entraîner une surchauffe du moteur.

Le liquide pompé doit répondre aux critères suivants :

Pressions minimales à l'orifice d'aspiration (pendant le fonctionnement)

Modèle UPS	À ces températures de liquide					
	167 °F/75 °C		194 °F/90 °C		230 °F/110 °C	
	[psi]	hf	[psi]	hf	[psi]	hf
32-40/4	0,7	1,6	2,2	5,1	21,0	48,5
32-80/2	0,7	1,6	5,1	11,8	23,9	55,2
32-160/2	11,6	26,8	16,0	37,0	34,1	78,8
40-40/4	0,7	1,6	4,4	10,2	23,2	53,6
40-80/4	0,7	1,6	1,5	3,5	18,1	41,8
40-80/2	6,5	15,0	10,9	25,2	29,0	67,0
40-160/2	5,1	11,8	9,4	21,7	27,6	63,8
40-240/2	11,6	26,8	16,0	37,0	34,1	78,8
50-40/4	0,7	1,6	2,9	6,7	21,8	50,4
50-80/4	0,7	1,6	4,4	10,2	23,2	53,6
50-80/2	4,4	10,2	8,7	20,1	26,8	61,9
50-160/2	11,6	26,8	16,0	37,0	34,1	78,8
50-240/2	10,2	23,6	14,5	33,5	32,6	75,3
53-55/57	4,4	10,2	8,7	20,1	26,8	61,9
75-69	11,6	26,8	16	37	34,1	78,8
80-40/4	11,6	26,8	16,0	37,0	34,1	78,8
80-80/4	14,5	33,5	18,9	43,7	37,0	85,5
80-160/2	21,8	50,4	26,1	60,3	43,5	100,5
100-40/4	27,6	63,8	31,9	73,7	50,0	115,5

Étendue des températures du liquide

En circulation continue :

14 °F (-10 °C) jusqu'à 230 °F (110 °C).

En circulation intermittente :

< 284 °F (140 °C) pour de courtes périodes de temps.

Circulation de l'eau chaude domestique :

< 140 °F (60 °C).

4. Procédure d'installation

AVERTISSEMENT



N'effectuez jamais de travaux électriques dans le boîtier de raccordement à moins que l'alimentation ait été coupée.

4.1 Préparation aux travaux électriques

Position du boîtier de raccordement

Le boîtier de raccordement doit être orienté pour permettre l'écoulement d'eau condensée par les 8 (huit) orifices de drainage situés au bas du stator (près du corps). Les orifices de drainage ne doivent pas être bloqués. Ces orifices DOIVENT être orientés vers le bas. Le boîtier de raccordement sera donc orienté vers le haut tel qu'illustré à la fig. 1. Les positions s'appliquent à la fois pour les tuyauteries verticales et horizontales.



Fig. 1 Positions possibles du boîtier de raccordement

TM03 7296 4706

Rotation du boîtier de raccordement

Pour changer la position du boîtier de raccordement, suivez les étapes suivantes :

AVERTISSEMENT



Si la pompe est déjà installée dans le système, il faut drainer le système ou fermer les vannes d'isolation situées de chaque côté de la pompe avant le retrait des vis creuses, car le liquide pompé peut être brûlant et/ou sous pression.

Ne mettez pas la pompe en marche à moins que le système ait été rempli de liquide et éventé.

1. Retirez les 4 (quatre) vis creuses qui retiennent la tête de pompe au corps de pompe.
2. Soulevez prudemment la tête de pompe en la tournant afin de placer le boîtier de raccordement à l'endroit désiré.
NE PLACEZ PAS le boîtier sous la pompe. Assurez-vous que le joint torique soit bien placé dans le corps de pompe.
3. Remplacez la tête de pompe sur le corps.
4. Serrez les vis creuses au couple suivant, de façon égale :
8 mm : 15 pi/lb
10 mm : 25 pi/lb.

5. Vérifiez que le rotor peut tourner librement en retirant le bouchon d'aération situé au milieu de la plaque signalétique de la pompe. Insérez un tournevis moyen à tête plate dans la fente à l'extrémité exposée de l'arbre, et tournez-le doucement. Si l'arbre ne tourne pas facilement, répétez les étapes 1 à 4 ci-dessus.
6. La plaque signalétique peut être déplacée en soulevant le bord extérieur à l'aide d'un tournevis. Tournez-la vers la position désirée, et appuyez ensuite pour la remettre en place.
7. Consultez les page 36 et page 37 pour obtenir des instructions supplémentaires.

4.2 Tuyauterie

Avant d'installer la pompe, nettoyez la tuyauterie en profondeur afin d'éliminer toute saleté et tout sédiment.

Emplacement sur la ligne

La pompe ne devrait JAMAIS être située au point le plus bas du système, car la saleté et les sédiments s'y accumulent. De même, elle ne devrait JAMAIS être placée au point le plus haut, car l'air s'y accumule.

Positions de montage

Les flèches situées sur le corps de pompe indiquent la direction de l'écoulement à travers la pompe. La pompe UPS peut être installée sur des sections de tuyauterie à la verticale ou à l'horizontale, mais son arbre moteur doit demeurer sur le plan horizontal comme indiqué dans les fig. 1 et fig. 2.

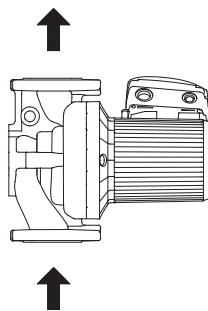


Fig. 2 Direction de l'écoulement à travers la pompe

TM03 7290 4706

Nota

Les pompes installées à l'extérieur DOIVENT être protégées par une housse ventilée et à l'épreuve de l'eau, afin d'empêcher l'accumulation de poussière et l'humidité.



AVERTISSEMENT

L'emplacement de la pompe devrait empêcher tout contact accidentel avec ses surfaces chaudes.

4.3 Raccordement de la pompe

Installez la pompe dans le système de tuyauterie.

Grundfos recommande que des jauges à pression soient installées sur les brides ou tuyaux d'aspiration et d'écoulement pour que l'utilisateur puisse effectuer des vérifications périodiques du rendement du système et de la pompe.

4.4 Connexions électriques

Les connexions et la mise à la terre devraient être effectuées par un électricien qualifié en vertu de la dernière édition du National Electrical Code ou du Code national de l'électricité et des règlements fédéraux et locaux.

AVERTISSEMENT



Coupez toujours l'alimentation avant d'effectuer des connexions au boîtier de raccordement de la pompe.

La pompe doit être mise à la terre.

La pompe doit être raccordée à un interrupteur externe d'alimentation principale.

La tension et la fréquence d'opération figurent sur la plaque signalétique de la pompe. Assurez-vous que le moteur convient à la source d'alimentation.

Effectuez une mise à la terre appropriée afin de prévenir le contact indirect : un disjoncteur de fuite à la terre peut être utilisé pour assurer une protection supplémentaire.

Pompe à plusieurs vitesses (monophasée)

Toutes les pompes monophasées sont équipées d'un dispositif de protection intégré à réenclenchement automatique contre les surcharges thermiques. La pompe est protégée aux trois vitesses de fonctionnement.

Pompe à plusieurs vitesses (triphasée)

La pompe doit être connectée à la source d'alimentation électrique via un contacteur extérieur. Le contacteur doit être connecté aux bornes T1 et T2 (3 x 208-230 V) ou aux bornes P1 et P2 (3 x 460 V et 575 V) du commutateur intégré de surcharge thermique pour protéger la pompe contre les surcharges aux trois vitesses de fonctionnement.

OU : Si la pompe est protégée au moyen d'un démarreur de moteur, le démarreur doit être réglé à la consommation de courant de la pompe à la vitesse sélectionnée. Le réglage du démarreur de moteur doit être modifié à CHAQUE FOIS qu'on modifie la vitesse de la pompe. La consommation de courant aux différentes vitesses de fonctionnement est indiquée sur la plaque signalétique de la pompe.

Les fig. 4, 6, 7, 9 et 10 indiquent les connexions possibles.

4.4.1 Boîtier de raccordement de la pompe UPS 1 x 115 V et 230 V

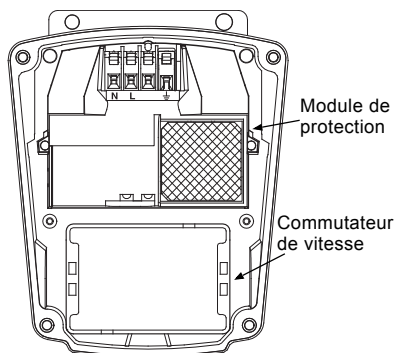


Fig. 3 Boîtier de raccordement UPS 1 x 115 V et 1 x 230 V

Toutes les pompes UPS monophasées sont équipées d'un module de protection et d'un commutateur de vitesse, tel qu'illustré à la fig. 3. Toutes les pompes sont équipées d'un dispositif de protection intégré à réenclenchement automatique contre les surcharges thermiques. La pompe est protégée aux trois vitesses de fonctionnement.

Schémas de câblage

La fig. 4 montre les connexions électriques pour une pompe monophasée avec module de protection.

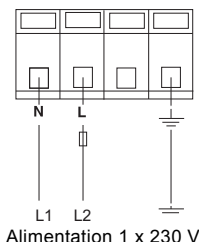
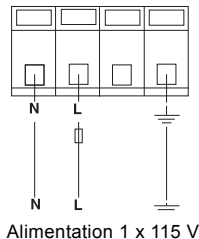


Fig. 4 Alimentation 1 x 115 V et 1 x 230 V

Nota

On doit installer un disjoncteur électrique et un dispositif de protection contre les surintensités de courant conformément aux codes électriques locaux.

K = Contacteur extérieur dont la capacité est compatible avec l'intensité de courant des pompes FL et LR.

4.4.2 Boîtier de raccordement de la pompe UPS 3 x 208-230 V

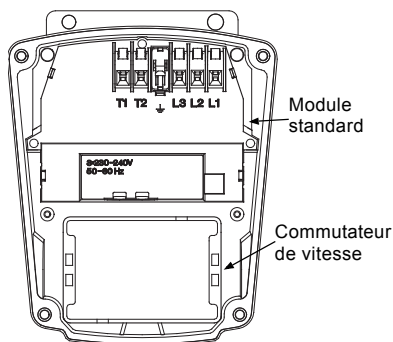


Fig. 5 Boîtier de raccordement UPS 3 x 208-230 V

TM03 7742 4806

Toutes les pompes UPS dotées de boîtiers de raccordement de trois phases x 208-230 V sont équipées d'un module standard et d'un commutateur de vitesse, tel qu'illustré à la fig. 5. Toutes les pompes sont équipées d'un commutateur intégré de surcharge thermique (bornes T1 et T2 à connecter à un contacteur extérieur) pour protéger la pompe aux trois vitesses de fonctionnement.

Schémas de câblage

La fig. 6 montre les connexions électriques applicables lorsqu'on utilise un contact de basculement extérieur (circuit de sécurité) au poste de commande à boutons-poussoirs d'arrêt/marche.

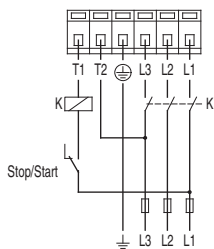


Fig. 6 Contact de basculement extérieur

Contacts auxiliaires dont la capacité est compatible avec la source d'alimentation électrique.

La fig. 7 montre les connexions électriques applicables lorsqu'on utilise des contacts d'impulsion extérieurs (contacts momentanés) au poste de commande à boutons-poussoirs d'arrêt/marche.

TM03 7892 5106

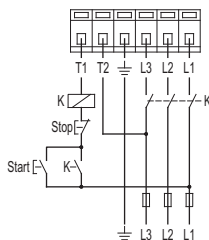


Fig. 7 Contacts d'impulsion extérieurs

TM03 7740 4806

4.4.3 Boîtier de raccordement de la pompe UPS 3 x 460 V et 575 V

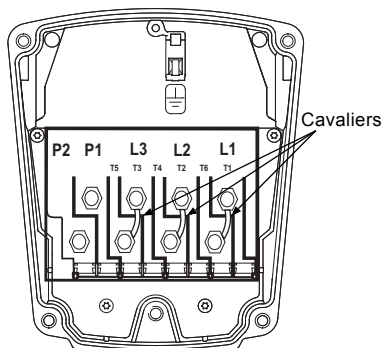


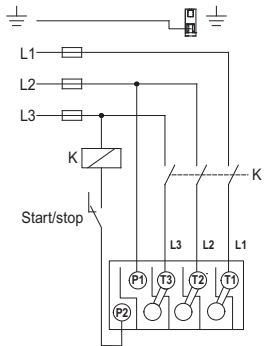
Fig. 8 Boîtier de raccordement UPS 3 x 460 V et 575 V

TM03 7739 4806

Toutes les pompes UPS dotées de boîtiers de raccordement de trois phases x 460 V et 575 V (fig. 8) sont équipées d'un boîtier de raccordement spécial à deux vitesses. La vitesse est modifiée par l'orientation des cavaliers comme indiqué sur la page 29. Toutes les pompes sont équipées d'un commutateur intégré de surcharge thermique (bornes P1 et P2) à connecter au contacteur extérieur.

Schémas de câblage

La fig. 9 montre les connexions électriques applicables lorsqu'on utilise un contact de basculement extérieur (circuit de sécurité) au poste de commande à boutons-poussoirs d'arrêt/marche.

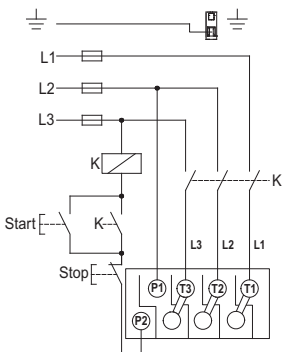


TM03 7738 5106

Fig. 9 Contact de basculement extérieur

Contacts auxiliaires dont la capacité est compatible avec la source d'alimentation électrique.

La fig. 10 montre les connexions électriques applicables lorsqu'on utilise des contacts d'impulsion extérieurs (contacts momentanés) au poste de commande à boutons-poussoirs d'arrêt/marche.



TM03 7737 4806

Fig. 10 Contacts d'impulsion extérieurs

5. Démarrage de la pompe

5.1 Expulser l'air du système de tuyauterie

Après avoir installé la pompe et après avoir effectué les connexions électriques, on doit expulser l'air du système de tuyauterie.

Précaution N'utilisez jamais la pompe sans liquide ; on doit d'abord remplir le système de liquide et expulser l'air.

Nota N'expulsez pas l'air du système de tuyauterie en utilisant la pompe.

Suivez plutôt les étapes suivantes :

1. Remplissez et pressurisez le système avec du liquide, et expulsez entièrement l'air qui se trouve dans la tuyauterie en utilisant des moyens appropriés.
2. Si des vannes d'isolation sont utilisées, assurez-vous qu'elles sont OUVERTES.

ADVERTISSEMENT



Soyez vigilants lorsque vous desserrez la vis d'aération car le liquide qui peut s'en échapper est possiblement brûlant. Il pourrait en résulter des blessures ou des dommages au composantes de la pompe (voir la fig. 12).

5.2 Vérifier le sens de rotation de l'arbre

S'applique seulement aux modèles à deux vitesses 460 V et 575 V

(Vérifiez le sens de rotation des pompes à trois vitesses en utilisant le tableau de recherche de défauts, page 30 et page 31).

1. Assurez-vous que la pompe est HORS TENSION.
2. Dévissez et retirez le bouchon d'aération situé au centre de la plaque signalétique.
3. Insérez un petit tournevis à lame plate dans la fente située à l'extrémité de l'arbre du moteur (voir la fig. 12). Faites tourner l'arbre avec le tournevis pour vous assurer qu'il tourne librement.
4. Faites démarrer brièvement puis arrêtez la pompe et observez le sens de rotation de l'arbre. L'arbre doit tourner dans le sens antihoraire tel qu'indiqué sur la plaque signalétique (voir la fig. 11).
5. Si l'arbre de la pompe tourne dans le mauvais sens, coupez l'alimentation électrique et échangez deux fils d'alimentation quelconques dans le boîtier de raccordement.
6. Répétez l'opération pour vérifier le sens de la rotation. Si l'arbre tourne adéquatement dans le sens antihoraire, remettez le bouchon d'aération en place.

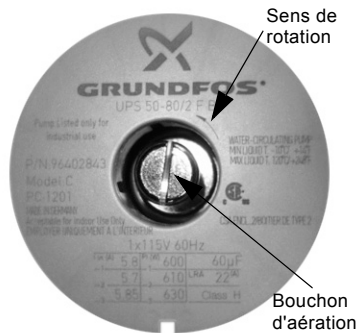


Fig. 11 Bouchon d'aération et sens de rotation

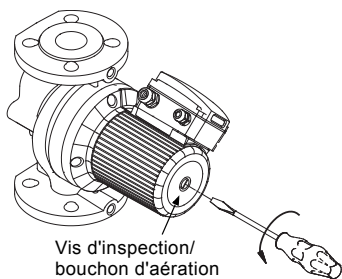


Fig. 12 Retirant le bouchon d'aération

5.3 Sélection de la vitesse

5.3.1 Pompes à trois vitesses, tous les modèles, sauf les modèles 3 x 460 V et 575 V

On peut tourner le commutateur de vitesse dans le boîtier de raccordement pour le sélectionner une des 3 (trois) vitesses. La vitesse correspondant à chacune des trois positions est indiquée dans le tableau ci-dessous (voir aussi la fig. 13).

Position du commutateur	Vitesse en % de la vitesse maximale	
	Pompes monophasées	Pompes triphasées
1	environ 60 %	environ 70 %
2	environ 80 %	environ 85 %
3	100 %	100 %

La sélection d'une vitesse inférieure permet une réduction considérable de la consommation d'énergie et une baisse du bruit dans l'installation.

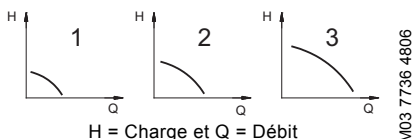


Fig. 13 Rendement de la pompe aux différents réglages de la vitesse

ADVERTISSEMENT



N'effectuez jamais de connexions dans le boîtier de raccordement si l'alimentation électrique n'a pas été coupée.

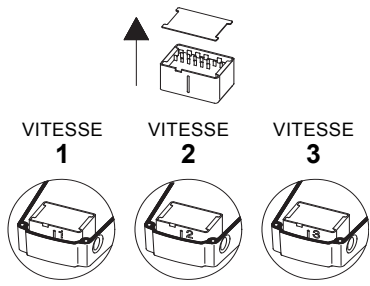
Modifiez le rendement de la pompe comme suit :

1. Coupez l'alimentation électrique de la pompe en utilisant le disjoncteur principal. L'indicateur lumineux vert dans le boîtier de raccordement doit être éteint.
2. Retirez le couvercle du boîtier de raccordement en desserrant les quatre vis du couvercle.
3. Retirez le module de commutation des vitesses et remettez-le en place de façon à ce que la vitesse désirée soit visible par la fenêtre du boîtier de raccordement (voir la fig. 14).

TM03 7750 1512

TM03 7277 4706

TM03 7736 4806



TM03 7735 4806

Fig. 14 Commutateur de vitesse

Nota

Lors du passage vers ou depuis la vitesse 1, on doit retirer le couvercle du module de commutation des vitesses et le remettre en place sur l'autre côté du commutateur.

4. Remettez le couvercle en place sur le boîtier de raccordement et serrez les quatre vis du couvercle.
5. Mettez la pompe sous tension. Assurez-vous que l'indicateur lumineux vert est continuellement allumé ou qu'il clignote.

Nota

On ne doit jamais utiliser le module de commutation des vitesses comme un commutateur marche/arrêt.

5.3.2 Pompes à deux vitesses, 3 x 460 V et 575 V

On peut tourner le commutateur de vitesse dans le boîtier de raccordement pour le placer à deux réglages de vitesse possible, tel qu'indiqué dans le tableau ci-dessous (voir aussi fig. 13 à la page 28).

Échelonnement des vitesses	Vitesse en % de la vitesse maximale
1	environ 75 %
2	100 %

AVERTISSEMENT



Coupez toujours l'alimentation électrique avant d'effectuer des connexions au boîtier de raccordement.

Modifiez le rendement de la pompe comme suit :

La vitesse est modifiée par la position des cavaliers dans les bornes. Les cavaliers sont placés comme suit :

- figure 15 pour la vitesse 1-vitesse lente
- figure 16 pour la vitesse 2-vitesse rapide.

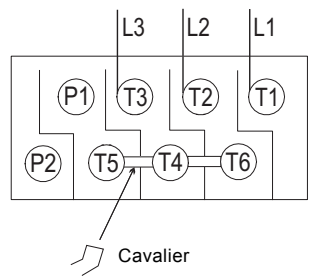


Fig. 15 Vitesse 1 (pour la vitesse lente)

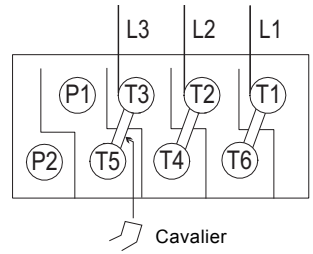


Fig. 16 Vitesse 2 (pour la vitesse rapide)

TM03 7734 4806

TM03 7733 4806

6. Résolution des problèmes

6.1 Tableau de recherche de défauts

ADVERTISSEMENT

Avant de retirer le couvercle du boîtier de raccordement, assurez-vous que l'alimentation électrique a été coupée, et qu'il n'y a aucun risque que l'alimentation soit rétablie par accident.



Le liquide pompé peut être brûlant et sous haute pression. Avant tout retrait ou démontage de la pompe, le système doit être purgé ou les deux vannes d'isolation, de chaque côté de la pompe, doivent être fermées.

Problème	Cause	Solution
1. La pompe ne fonctionne pas. Les indicateurs lumineux sont tous éteints.	a) Un fusible du système est grillé.	Remplacez le fusible grillé.
	b) Le disjoncteur extérieur est en position hors tension.	Réinitialisez le disjoncteur.
	c) Le disjoncteur de fuite à la terre de courant/tension a été déclenché.	Réparez les défauts d'isolant et réinitialisez le disjoncteur.
	d) Le commutateur thermique intégré de la surcharge de la pompe a été coupé (module standard seulement).	Assurez-vous que la température du liquide est conforme à la plage spécifiée. Grâce au contact de basculement marche/arrêt extérieurs : La pompe redémarrera automatiquement lorsqu'elle aura refroidi par attendre la température normale. Grâce aux contacts d'impulsion marche/arrêt extérieurs : La pompe peut être redémarrée lorsqu'elle aura refroidi par attendre la température normale.
2. La pompe ne fonctionne pas. L'indicateur lumineux vert est allumé.	a) Le rotor est bloqué, mais la pompe n'a pas été mise hors circuit par le commutateur de surcharge thermique.	Coupez l'alimentation électrique et nettoyez/réparez la pompe.
	b) Le module de commutation des vitesses n'a pas été installé.	Coupez l'alimentation électrique en utilisant le disjoncteur extérieur et mettez le module de commutation des vitesses en place.
3. Pompes triphasées seulement : La pompe fonctionne. Les indicateurs lumineux rouge et vert sont allumés.	a) La pompe tourne dans le mauvais sens.	Coupez l'alimentation électrique en utilisant le disjoncteur extérieur et échangez deux phases (fils) quelconques dans le boîtier de raccordement de la pompe.
4. Le système est bruyant. L'indicateur lumineux vert est allumé.	a) Il y a de l'air dans le système.	Expulsez l'air du système.
	b) Le débit de la pompe est trop élevé.	Réduisez le rendement de la pompe.
	c) La pression est trop élevée.	Réduisez le rendement de la pompe.

Problème	Cause	Solution
5. La pompe est bruyante. L'indicateur lumineux vert est allumé.	a) Il y a de l'air dans la pompe.	Expulsez l'air de la pompe.
	b) La pression d'entrée est trop faible.	Augmentez la pression d'entrée et/ou vérifiez le volume d'air dans le réservoir d'expansion (s'il a été installé).
6. Chaleur insuffisante à certains endroits du système de chauffage.	a) Le rendement de la pompe est trop faible.	Augmentez le rendement de la pompe, si possible, ou remplacez la pompe par une pompe à débit supérieur.
7. Pompes avec module de protection seulement : La pompe ne fonctionne pas. L'indicateur lumineux rouge est allumé. L'indicateur lumineux vert est éteint.	a) La pompe a été mise hors circuit par le commutateur de surcharge thermique, ceci est causé par la température élevée du liquide, ou le rotor est bloqué.	Assurez-vous que la température du liquide est conforme à la plage spécifiée. La pompe redémarrera automatiquement lorsqu'elle aura refroidi pour atteindre la température normale. NOTA : Si la pompe a été mise hors circuit par le commutateur de surcharge thermique trois fois pendant une période courte, la pompe doit être réenclenchée manuellement en coupant l'alimentation électrique.
	b) Le module de commutation des vitesses n'a pas été installé.	Coupez l'alimentation électrique en utilisant le disjoncteur extérieur principal et mettez le module de commutation des vitesses en place.

6.2 Mesurer la tension d'alimentation

Tension d'alimentation

Utilisez un voltmètre pour vérifier la tension d'alimentation du moteur.



ADVERTISSEMENT

Soyez prudent puisque la pompe est toujours alimentée. Ne permettez pas aux sondes du voltmètre de se toucher pendant qu'elles sont connectées aux fils d'alimentation.

Moteurs monophasés	Moteurs triphasés
Connectez une sonde du voltmètre à chacun des fils électriques qui alimentent les bornes de la pompe : <ul style="list-style-type: none"> • L et N pour les circuits 115 V • L1 et L2 pour les circuits 230 V. 	Connectez les sondes du voltmètre comme suit : <ul style="list-style-type: none"> • Fils d'alimentation L1 et L2 • Fils d'alimentation L2 et L3 • Fils d'alimentation L3 et L1. Ces vérifications doivent indiquer la tension du réseau.

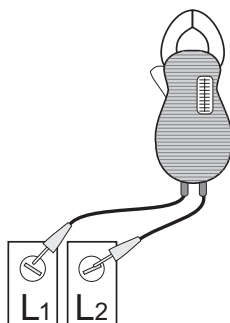


Fig. 17 Vérification de l'alimentation électrique monophasée

Évaluation

Lorsque le moteur est sous charge, la tension devrait se maintenir à 10 % (+ ou -) de la tension indiquée sur la plaque signalétique. Toute variation de tension excédant 10 % peut indiquer une alimentation électrique de mauvaise qualité, ce qui peut endommager les enroulements du moteur. On ne devrait pas utiliser le moteur dans ces conditions. Contactez votre fournisseur d'énergie électrique pour corriger le problème ou utilisez un autre moteur qui peut être alimenté par la tension électrique que vous recevez.

6.3 Mesure du courant

Utilisez un ampèremètre pour vérifier le courant.

Pour le faire, suivez les étapes suivantes :

1. Assurez-vous que la pompe fonctionne.
2. Réglez l'ampèremètre à l'échelle appropriée.
3. Placez les pincettes de l'ampèremètre sur les conducteurs que vous voulez mesurer.
4. Comparez les résultats avec les données d'intensité de courant indiquées sur la plaque signalétique.
5. Répétez la procédure pour les autres conducteurs.

Évaluation

Si l'intensité de courant excède les données d'intensité de courant indiquées sur la plaque signalétique, ou si le déséquilibre de courant excède 5 % entre chaque tige desunitéstriphasées, alors vérifiez les paramètres suivants :

- La tension fournie à la pompe pourrait être trop élevée ou trop faible.
- Les contacts du démarreur du moteur peuvent être brûlés.
- Les bornes du démarreur ou du boîtier de raccordement peuvent être desserrées.
- Les enroulements peuvent être défectueux. Vérifiez les enroulements et la résistance d'isolement.
- Les enroulements du moteur peuvent être en court-circuit ou en circuit ouvert.
- La pompe peut être endommagée ou causer une surcharge du moteur.
- Un problème d'alimentation en tension ou d'équilibre de la tension peut être présent.

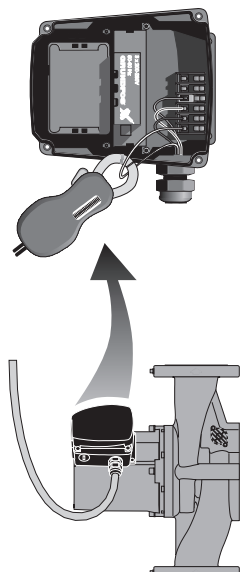


Fig. 18 Vérification du courant

6.4 Résistance d'isolement (entre le fil et la masse)

Utilisez un mégohmmètre pour vérifier la résistance d'isolement (entre le fil et la masse).

Pour le faire, suivez les étapes suivantes :

1. COUPEZ l'alimentation électrique.
2. Déconnectez tous les fils électriques du moteur.
3. Réglez le sélecteur d'échelle du mégohmmètre à $R \times 100K$, connectez les sondes ensemble, et réglez l'indicateur à zéro.
4. Connectez individuellement les sondes du mégohmmètre à chacun des fils du moteur et à la masse (c.-à-d. L1 à la masse ; L2 à la masse, etc.).

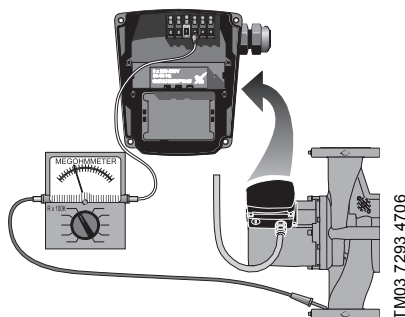


Fig. 19 Vérification de la résistance d'isolement

Évaluation

Les valeurs de résistance pour les moteurs neufs doivent excéder 1.000.000 ohms. Si ce n'est pas le cas, remplacez le moteur.

6.5 Résistance d'enroulement (phase à phase)

Utilisez un mégohmmètre pour vérifier la résistance des enroulements du moteur.

Pour le faire, suivez les étapes suivantes :

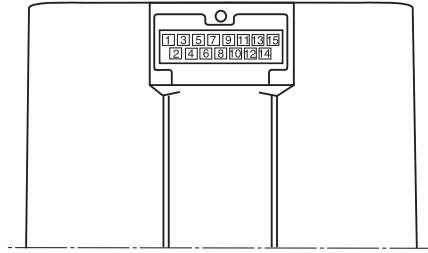
1. COUPEZ l'alimentation électrique.
2. Déconnectez tous les fils électriques du moteur.
3. Réglez le sélecteur d'échelle du mégohmmètre à $R \times 1$, connectez les sondes ensemble, et réglez l'indicateur à zéro.
4. En utilisant les tableaux ci-dessous comme référence, connectez les sondes du mégohmmètre à la paire appropriée de conducteurs. Vérifiez toutes les paires du moteur, prenez note des résultats et étiquetez (RA, RS₁, RS₂, R) toutes les lectures.
5. Comparez vos lectures aux données du tableau de ce manuel qui correspondent au modèle, à la phase et à la tension, voir les page 34 et page 35.

Évaluation

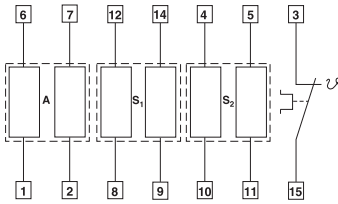
Les valeurs de résistance doivent être conformes aux tolérances indiquées à la page 34 ou page 35. Si ce n'est pas le cas, remplacez le moteur.

Câblage interne UPS

Fiche de raccordement du stator



Monophasé



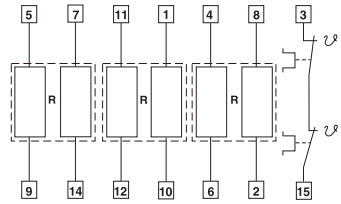
RA : 6-1 ou 6-1, 7-2
 RS₁ : 12-8 ou 12-8, 14-9
 RS₂ : 4-10 ou 4-10, 5-11

RA : Enroulement principal

RS₁ : Enroulement auxiliaire

RS₂ : Enroulement auxiliaire

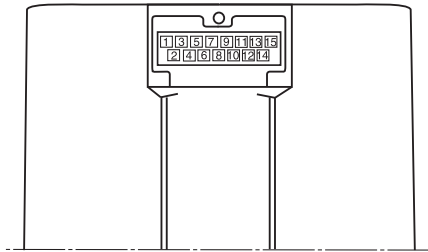
Triphasé 208-230 V



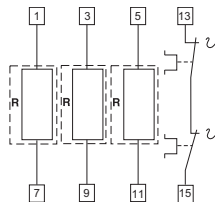
R : 5-9 ou 5-9, 7-14
 R : 11-12 ou 11-12, 1-10
 R : 4-6 ou 4-6, 8-2

Câblage interne UPS

Fiche de raccordement du stator



Triphasé 460/575 V



6.6 Tableau de résistance d'enroulement

60 Hz

Modèle de la pompe	Tension	[Ω] 68 °F - 122 °F (20 °C - 50 °C)			
		R	RA	RS ₁	RS ₂
UPS 32-40/4	1 x 115 V		17,8 - 23,2	3,95 - 5,20	9,40 - 12,4
	1 x 230 V		70,0 - 91,5	17,0 - 22,2	39,5 - 52,0
	3 x 208-230 V	180 - 236			
	3 x 460 V	360 - 470			
	3 x 575 V	575 - 750			
UPS 32-80/2	1 x 115 V		9,55 - 12,6	3,05 - 4,00	6,70 - 8,80
	1 x 230 V		19,4 - 25,5	5,45 - 7,10	12,6 - 16,4
	3 x 208-230 V	44,0 - 57,5			
	3 x 460 V	83,5 - 110			
	3 x 575 V	132 - 174			
UPS 32-160/2	1 x 115 V		4,15 - 5,45	1,20 - 1,56	2,65 - 3,50
	1 x 230 V		8,30 - 10,8	2,20 - 2,90	5,05 - 6,65
	3 x 208-230 V	26,0 - 34,0			
	3 x 460 V	53,5 - 70,0			
	3 x 575 V	84,5 - 110			
UPS 40-40/4	1 x 115 V		11,4 - 15,0	2,95 - 3,85	5,60 - 7,35
	1 x 230 V		50,5 - 66,5	14,0 - 18,4	25,5 - 34,0
	3 x 208-230 V	118 - 154			
	3 x 460 V	234 - 310			
	3 x 575 V	360 - 475			
UPS 40-80/2	1 x 115 V		5,60 - 7,35	1,84 - 2,42	4,50 - 5,90
	1 x 230 V		11,0 - 14,4	3,95 - 5,20	8,55 - 11,2
	3 x 208-230 V	32,0 - 42,0			
	3 x 460 V	64,0 - 84,0			
	3 x 575 V	102 - 132			
UPS 40-80/4	1 x 115 V		4,15 - 5,45	1,94 - 2,55	3,30 - 4,35
	1 x 230 V		8,10 - 10,6	3,05 - 4,00	4,60 - 6,05
	3 x 208-230 V	46,5 - 61,0			
	3 x 460 V	90,5 - 118			
	3 x 575 V	164 - 216			
UPS 40-160/2	1 x 115 V		2,85 - 3,75	1,10 - 1,44	1,94 - 2,55
	1 x 230 V		5,60 - 7,35	2,02 - 2,66	3,75 - 4,95
	3 x 208-230 V	22,8 - 30,0			
	3 x 460 V	45,5 - 59,5			
	3 x 575 V	72,0 - 95,0			
UPS 40-240/2	1 x 230 V		6,80 - 8,95	2,02 - 2,65	3,70 - 4,85
	3 x 208-230 V	11,0 - 14,4			
	3 x 460 V	22,0 - 29,0			
	3 x 575 V	35,0 - 45,5			

Modèle de la pompe	Tension	[Ω] 68 °F - 122 °F (20 °C - 50 °C)			
		R	RA	RS ₁	RS ₂
UPS 50-40/4	1 x 115 V		6,55 - 8,55	2,12 - 2,80	4,30 - 5,65
	1 x 230 V		25,0 - 33,0	8,30 - 10,8	15,0 - 19,8
	3 x 208-230 V	57,5 - 75,0			
	3 x 460 V	114 - 148			
	3 x 575 V	184 - 242			
UPS 50-80/2	1 x 115 V		4,15 - 5,45	1,20 - 1,56	2,65 - 3,50
	1 x 230 V		8,30 - 10,80	2,20 - 2,90	5,05 - 6,65
	3 x 208-230 V	26,0 - 34,0			
	3 x 460 V	33,5 - 70,0			
	3 x 575 V	84,5 - 110			
UPS 50-80/4	1 x 115 V		2,75 - 3,60	1,74 - 2,30	2,85 - 3,75
	1 x 230 V		5,50 - 7,25	2,65 - 3,50	4,95 - 6,50
	3 x 208-230 V	37,0 - 49,0			
	3 x 460 V	79,0 - 104			
	3 x 575 V	120 - 156			
UPS 50-160/2	1 x 230 V		6,80 - 8,95	2,02 - 2,65	3,70 - 4,85
	3 x 208-230 V	12,4 - 16,2			
	3 x 460 V	24,2 - 31,5			
	3 x 575 V	37,5 - 49,5			
	UPS 50-240/2	3 x 208-230 V	7,80 - 10,2		
3 x 460 V		15,6 - 20,6			
3 x 575 V		25,0 - 33,0			
UPS 53-55/57	1 x 115 V		4,15 - 5,45	1,20 - 1,56	2,65 - 3,50
	1 x 230 V		8,30 - 10,80	2,20 - 2,90	5,05 - 6,65
	3 x 208-230 V	26,0 - 34,0			
	3 x 460 V	33,5 - 70,0			
	3 x 575 V	84,5 - 110			
UPS 75-69	1 x 230 V		6,80 - 8,95	2,02 - 2,65	3,70 - 4,85
	3 x 208-230 V	12,4 - 16,2			
	3 x 460 V	24,2 - 31,5			
	3 x 575 V	37,5 - 49,5			
UPS 80-40/4	3 x 208-230 V	46,5 - 61,0			
	3 x 460 V	90,5 - 118			
	3 x 575 V	164 - 216			
UPS 80-80/4	3 x 208-230 V	23,6 - 31,0			
	3 x 208-230 V	7,80 - 10,2			
UPS 80 -160/2	3 x 460 V	15,6 - 20,6			
	3 x 575 V	25,0 - 33,0			
	3 x 208-230 V	27,5 - 36,0			
UPS 100-40/4	3 x 460 V	54,5 - 71,5			
	3 x 575 V	86,0 - 114			

7. Remplacement de composantes

7.1 Démontage de la tête de pompe

1. Débranchez ou COUPEZ l'alimentation électrique.
2. Fermez les vannes d'isolation situées de chaque côté de la pompe pour éviter de drainer le liquide du système.
3. Déconnectez tous les fils électriques du boîtier de raccordement.
4. Déconnectez et enlevez le conduit du boîtier de raccordement.
5. Desserrez et enlevez les quatre vis creuses (8 ou 10 mm) qui retiennent le boîtier de la tête de pompe au corps de pompe.
6. Enlevez la tête de pompe du corps de pompe.
7. Nettoyez les surfaces usinées du corps de pompe pour éliminer toute matière étrangère.

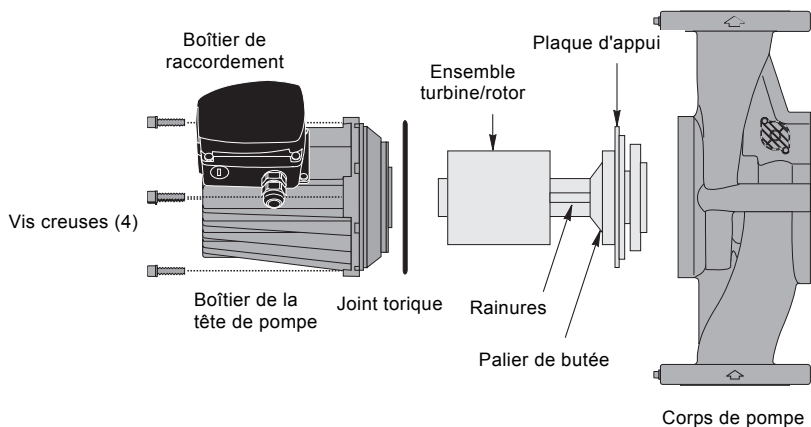


Fig. 20 Démontage et montage de la tête de pompe

7.2 Montage de la tête de pompe

1. Enlevez prudemment le nouvel ensemble de tête de pompe de son emballage. Séparez l'ensemble turbine/rotor de la nouvelle tête de pompe.
2. Tout en tenant le palier de butée, placez prudemment l'ensemble turbine/rotor dans le corps de pompe. La plaque d'appui devrait s'insérer parfaitement dans la surface usinée inférieure du corps de pompe.
3. Assurez-vous que l'ensemble turbine/rotor peut tourner librement.
4. Déposez le joint torique sur le rotor et placez-le dans le diamètre intérieur du corps de pompe.
5. Placez prudemment le boîtier de la tête de pompe sur le rotor et tournez-le pour que le boîtier de raccordement soit dans la position que vous désirez, tel qu'expliqué à la section 4.1 sous *Position du boîtier de raccordement*.
6. Assurez-vous que le boîtier de la tête de pompe est adéquatement placé dans le corps de pompe.
N'appliquez pas trop de pression pour réunir les pièces ensemble ; si elles collent l'une à l'autre, démontez-les et répétez les étapes 2 à 6. Serrez les vis creuses uniformément pour fixer la tête de pompe. Serrez à :
 8 mm 15 lb-pi
 10 mm 25 lb-pi.
7. Vérifiez que l'arbre du moteur peut tourner librement, tel qu'expliqué à la section 4.1 sous *Rotation du boîtier de raccordement*.

TM03 7292 4706

7.3 Remplacer le boîtier de raccordement ou le condensateur

Si le boîtier de raccordement est remplacé, assurez-vous que les données électriques indiquées sur le nouveau boîtier correspondent aux données indiquées sur l'ancien boîtier, et qu'il est compatible avec la pompe et la source d'alimentation électrique.

Pour tous les boîtiers de raccordement, il est très important de fixer solidement la vis de mise à la terre du châssis via le boîtier de raccordement, de façon à obtenir une bonne connexion entre le boîtier de raccordement et le moteur.

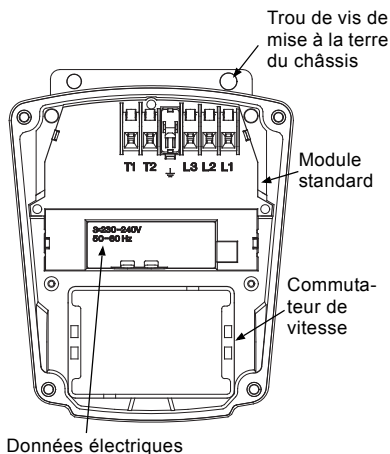


Fig. 21 Boîtier de raccordement

Toutes	1.	Avant de remplacer le boîtier de raccordement ou le condensateur, assurez-vous que l'alimentation électrique a été COUPÉE.
	2.	Retirez le couvercle du boîtier de raccordement en desserrant complètement les quatre vis standard torx.
	3.	Enlevez le module de commutation des vitesses (en prenant note de sa position) en tirant fermement et uniformément sur les deux côtés du module. (Non applicable pour 460 V/575 V).
Condensateur	a.4.	Remplacement du condensateur, pompes monophasées seulement : Déconnectez les deux colliers d'attaches du condensateur et dévissez l'écrou de serrage en plastique. Enlevez le fil du condensateur et le collier de serrage.
	a.5.	Vissez un nouvel écrou de serrage et connectez de nouveaux colliers d'attache. Retirez le câble à gaine du boîtier de raccordement en vous assurant de laisser au moins 1/8 po. de gaine à l'intérieur du boîtier de raccordement.
Boîtier de raccordement	b.4.	Remplacement du boîtier de raccordement : Déconnectez tout le câblage, enlevez les trois vis cruciformes qui retiennent le boîtier de raccordement en place et enlevez le boîtier de raccordement en tirant fermement et uniformément sur les deux côtés.
	b.5.	Assurez-vous que le joint en caoutchouc clair est en place autour de la tige d'attache du boîtier de raccordement, poussez délicatement le boîtier de raccordement dans la douille du stator, remettez en place les trois vis cruciformes du boîtier de raccordement et le câblage.
Toutes	6.	Réinstallez le commutateur de vitesse à la bonne place en vous assurant de le pousser complètement à l'intérieur. (Non applicable pour 460 V/575 V).
	7.	Remettez en place le couvercle du boîtier de raccordement et serrez les quatre vis standard torx.
	8.	Mettez la pompe sous tension. La pompe est maintenant prête pour l'utilisation.

8. Mise au rebut

Ce produit ou des parties de celui-ci doit être mis au rebut tout en préservant l'environnement :

1. Utiliser le service local public ou privé de collecte des déchets.

2. Si ce n'est pas possible, envoyer ce produit à Grundfos ou au réparateur agréé Grundfos le plus proche.

Nous nous réservons tout droit de modifications.

Traducción de la versión original en inglés

CONTENIDO

	Página
1. Garantía limitada	38
2. Introducción	39
2.1 Advertencia de seguridad	39
3. Tareas que deben llevarse a cabo antes de la instalación	39
3.1 Confirmar que la bomba es la correcta	39
3.2 Comprobar las condiciones de la bomba	39
3.3 Verificar los requerimientos eléctricos	40
3.4 Requerimientos en relación con el líquido bombeado	40
4. Instalación de la bomba	41
4.1 Preparativos eléctricos	41
4.2 Aspectos relacionados con las tuberías	41
4.3 Conexión de la bomba	42
4.4 Conexión eléctrica	42
5. Arranque de la bomba	44
5.1 Venteo de la red de tuberías	44
5.2 Comprobación del sentido de giro del eje	45
5.3 Selección de velocidades	45
6. Solución de problemas	47
6.1 Tabla de búsqueda de fallas	47
6.2 Pruebas preliminares	48
6.3 Medida de la corriente	49
6.4 Resistencia de aislamiento (conductor a tierra)	50
6.5 Resistencia de los bobinados (línea a línea)	50
6.6 Tabla de resistencias de los bobinados	52
7. Sustitución de componentes	54
7.1 Desmontaje del cabezal de la bomba	54
7.2 Instalación del cabezal de la bomba	54
7.3 Sustitución de la caja de conexiones o el condensador	55
8. Eliminación	55

ADVERTENCIA

Lea estas instrucciones de instalación y operación antes de llevar a cabo la instalación de la bomba.

La instalación y la operación de la bomba deben tener lugar de modo que se satisfagan los requerimientos establecidos por la normativa local y de acuerdo con las prácticas recomendadas.

Este manual debe quedar en posesión del propietario de la bomba a fin de que este pueda consultarlo y obtener información acerca de la operación del equipo con posterioridad.

**1. Garantía limitada**

GRUNDFOS PUMPS CORPORATION (Grundfos) garantiza exclusivamente al usuario original que los productos fabricados por dicha empresa se encontrarán libres de defectos de materiales y mano de obra durante un período de 18 meses a partir de la fecha de instalación, sin superar en ningún caso los 24 meses a partir de la fecha de fabricación. La responsabilidad de Grundfos en el ámbito de esta garantía se limitará a la reparación o sustitución, a decisión de Grundfos, de forma gratuita y debiendo el comprador correr con los gastos de transporte hasta la fábrica o centro de servicio autorizado de Grundfos, de cualquier producto fabricado por Grundfos. Grundfos no se hará responsable de ningún costo derivado de la retirada, la instalación o el transporte del producto ni de cualquier otro gasto que pudiera surgir en relación con una reclamación en garantía. Aquellos productos comercializados por Grundfos que no hayan sido fabricados por dicha empresa se encontrarán sujetos a la garantía proporcionada por el fabricante del producto correspondiente y no a la garantía de Grundfos. Grundfos no se responsabilizará de aquellos daños o deterioros que sufran los productos como consecuencia de condiciones de operación anómalas, accidentes, abusos, usos indebidos, alteraciones o reparaciones no autorizadas o instalaciones no realizadas de acuerdo con las instrucciones impresas de instalación y operación de Grundfos.

Si desea recibir asistencia al amparo de esta garantía, deberá devolver el producto defectuoso al distribuidor o proveedor de productos Grundfos donde lo haya adquirido, adjuntando con el mismo una prueba de compra, así como las fechas de instalación y avería y los datos relacionados con la instalación. A menos que se indique de otro modo, el distribuidor o proveedor se pondrá en contacto con Grundfos o con un centro de servicio autorizado para solicitar instrucciones.

Cualquier producto defectuoso que deba ser devuelto a Grundfos o a un centro de servicio deberá enviarse a portes pagados, incluyendo la documentación relacionada con la reclamación en garantía y/o una Autorización de devolución de material, si así se solicita.

GRUNDFOS NO SE RESPONSABILIZARÁ DE AQUELLOS DAÑOS, PÉRDIDAS O GASTOS ACCIDENTALES O RESULTANTES QUE PUDIERAN DERIVARSE DE LA INSTALACIÓN O EL USO DE SUS PRODUCTOS, NI TAMPOCO DE CUALQUIERA OTRA CAUSA QUE EMANE DE LOS MISMOS. NO EXISTEN GARANTÍAS EXPRESAS O IMPLÍCITAS, INCLUIDAS AQUELLAS DE COMERCIABILIDAD O IDONEIDAD PARA UN FIN DETERMINADO, QUE AMPLIEN LAS GARANTÍAS QUE SE DESCRIBEN O A LAS QUE SE HACE REFERENCIA EN EL PÁRRAFO ANTERIOR.

Ciertas jurisdicciones no admiten la exclusión o limitación de los daños accidentales o resultantes; otras rechazan la imposición de limitaciones en cuanto a la duración de las garantías implícitas. Es posible, por tanto, que las limitaciones o exclusiones anteriores no le sean de aplicación. Esta garantía le confiere derechos legales específicos. Puede que disponga de otros derechos en virtud de su jurisdicción.

2. Introducción

2.1 Advertencia de seguridad

2.1.1 Lectura de este manual

Este manual ha sido redactado con objeto de facilitar la instalación y puesta en marcha de las bombas UPS de Grundfos, así como la resolución de problemas relacionados con las mismas, a un instalador certificado. Recuerde, no obstante, que el manual debe quedar en posesión del propietario de la bomba a fin de que este pueda consultarlo y obtener información acerca de la operación del equipo con posterioridad. Si el propietario experimenta algún problema relacionado con la bomba, deberá ponerse en contacto con un técnico profesional.

2.1.2 Conexiones eléctricas

ADVERTENCIA



Todas las conexiones eléctricas deben ser llevadas a cabo por un electricista calificado, de acuerdo con lo descrito en la edición más reciente del Código Eléctrico Nacional y los códigos y normas locales en vigor.

ADVERTENCIA

Un motor o bobinado defectuosos pueden causar descargas eléctricas letales, bien por contacto directo o por conducción a través del agua. Ello confiere especial importancia a la correcta conexión de la bomba al terminal de tierra de la fuente de alimentación a fin de garantizar la seguridad de la instalación y la operación.



Independientemente de la instalación, la plomería metálica descubierta debe conectarse también al terminal de tierra de la fuente de alimentación de acuerdo con lo descrito en el Artículo 250-80 del Código Eléctrico Nacional.

3. Tareas que deben llevarse a cabo antes de la instalación

3.1 Confirmar que la bomba es la correcta

- Consulte la placa de datos de la bomba para asegurarse de que, en efecto, es la que ha adquirido.
- Compare la información que figura en la placa de datos de la bomba y su curva de desempeño (altura de bombeo, gpm, etc.) con los requerimientos de la aplicación de la que debe formar parte.
- Conseguirá la bomba llevar a cabo la tarea que debe realizar?

3.2 Comprobar las condiciones de la bomba

El embalaje en el que se entrega la bomba ha sido diseñado especialmente para protegerla frente a posibles daños.

Como medida de precaución, la bomba debe permanecer en el embalaje hasta el momento de su instalación. Inspeccione entonces la bomba y compruebe si ha sufrido algún daño durante el transporte.

Examine también los demás componentes que forman parte de la entrega y compruebe si sufren daños aparentes.

3.3 Verificar los requerimientos eléctricos

Verifique las características de la red eléctrica y asegúrese de que el voltaje, la fase y la frecuencia que proporciona satisfacen los requerimientos del motor de la bomba. Puede consultar el voltaje de operación nominal y el resto de parámetros eléctricos en la placa de datos de la bomba.

El motor que incorpora la bomba ha sido diseñado para aceptar una tolerancia de + / - 10 % sobre el voltaje nominal que figura en la placa de datos.

Los esquemas de cableado se encuentran en la cara interior de la cubierta de la caja de conexiones y más adelante en este manual de instrucciones de instalación y operación. La bomba no debe operar si el voltaje que proporciona la red eléctrica sufre variaciones superiores a + / - 10 %.

3.4 Requerimientos en relación con el líquido bombeado

Precaución La bomba UPS ha sido diseñada exclusivamente para el uso con agua.

De este modo, es apta para hacer circular:

- Agua potable caliente
- Agua para calefacción hidrónica
- Mezclas de agua/glicol en una proporción máxima de 50/50
- Agua para refrigeración

En sistemas de agua caliente doméstica, el uso de bombas de bronce (modelo UPS) sólo es recomendable si el agua presenta un nivel de dureza inferior a 14 granos por galón.

Para aguas con un nivel de dureza superior, se recomienda el uso de una bomba de acoplamiento directo TP de Grundfos.

Si la bomba se instala como parte de un sistema de calefacción, el agua deberá satisfacer los requerimientos establecidos por las normas generalmente aceptadas en materia de calidad del agua en sistemas de calefacción.

Para evitar la degradación del glicol en mezclas de agua/glicol, deben evitarse las temperaturas superiores a aquellas para las que el fluido es apto y minimizarse los períodos durante los que el sistema deba someterse a temperaturas elevadas.

También es importante limpiar y enjuagar el sistema antes de introducir la mezcla de glicol.

A fin de evitar posibles problemas de corrosión o precipitación, la mezcla de glicol debe comportarse con regularidad y mantenerse en buen estado. Si es preciso diluir más la mezcla de glicol suministrada, siga las instrucciones del proveedor de glicol.

ADVERTENCIA



El glicol cuyo nombre comercial es DEXCOOL® puede causar daños a la bomba.

DEXCOOL® es una marca comercial registrada de General Motors Corporation que esta usa con autorización de Texaco Lubricants NA.

La bomba se lubrica y refrigera por medio del líquido bombeado. Este, por tanto, debe poder circular a través de la bomba en todo momento. Si no se hace circular líquido a través de la bomba durante períodos de tiempo prolongados, los cojinetes podrían deteriorarse prematuramente y el motor sufrir temperaturas excesivas. El líquido bombeado debe satisfacer, además, los siguientes requerimientos:

Presión mínima de entrada a la bomba (durante la operación)

Modelo UPS	Temperatura del líquido					
	167 °F/75 °C		194 °F/90 °C		230 °F/110 °C	
	[psi]	hf	[psi]	hf	[psi]	hf
32-40/4	0.7	1.6	2.2	5.1	21.0	48.5
32-80/2	0.7	1.6	5.1	11.8	23.9	55.2
32-160/2	11.6	26.8	16.0	37.0	34.1	78.8
40-40/4	0.7	1.6	4.4	10.2	23.2	53.6
40-80/4	0.7	1.6	1.5	3.5	18.1	41.8
40-80/2	6.5	15.0	10.9	25.2	29.0	67.0
40-160/2	5.1	11.8	9.4	21.7	27.6	63.8
40-240/2	11.6	26.8	16.0	37.0	34.1	78.8
50-40/4	0.7	1.6	2.9	6.7	21.8	50.4
50-80/4	0.7	1.6	4.4	10.2	23.2	53.6
50-80/2	4.4	10.2	8.7	20.1	26.8	61.9
50-160/2	11.6	26.8	16.0	37.0	34.1	78.8
50-240/2	10.2	23.6	14.5	33.5	32.6	75.3
53-55/57	4.4	10.2	8.7	20.1	26.8	61.9
75-69	11.6	26.8	16	37	34.1	78.8
80-40/4	11.6	26.8	16.0	37.0	34.1	78.8
80-80/4	14.5	33.5	18.9	43.7	37.0	85.5
80-160/2	21.8	50.4	26.1	60.3	43.5	100.5
100-40/4	27.6	63.8	31.9	73.7	50.0	115.5

Temperatura a la que debe encontrarse el líquido

Continuamente:

14 °F (-10 °C) a 230 °F (110 °C).

De forma intermitente:

< 284 °F (140 °C) durante breves períodos de tiempo.

Agua caliente doméstica:

< 140 °F (60 °C).

4. Instalación de la bomba

ADVERTENCIA



No lleve a cabo conexiones en la caja de conexiones de la bomba a menos que esta se encuentre desconectada de la red eléctrica.

4.1 Preparativos eléctricos

Posición de la caja de conexiones

En la parte inferior del estátor, por la parte más cercana a la carcasa de la bomba, existen ocho orificios cuya función es facilitar el drenaje del agua condensada. Debe evitarse la obstrucción de estos orificios de drenaje y garantizarse que permanezcan orientados hacia abajo. La caja de conexiones, por tanto, debe quedar orientada hacia arriba (en alguna de las posiciones ilustradas en la fig. 1). Las posiciones de la caja de conexiones que se muestran en la siguiente ilustración son válidas siempre que las tuberías se encuentren instaladas vertical u horizontalmente.



Fig. 1 Posibles posiciones de la caja de conexiones

TM03 7296 4706

Rotación de la caja de conexiones

Siga los pasos descritos a continuación para cambiar la posición de la caja de conexiones:

ADVERTENCIA



Si la bomba se ha instalado ya en el sistema, deberá llevarse a cabo un drenaje o cerrarse las válvulas de corte situadas a ambos lados de la bomba antes de desenroscar los tornillos Allen; puede que el líquido bombeado se encuentre a una temperatura suficiente como para causar quemaduras por abrasión y/o sometido a presión.

No ponga en marcha la bomba hasta que el sistema se encuentre lleno de líquido y haya sido venteado.

1. Desenrosque los cuatro tornillos Allen mientras mantiene el cabezal de la bomba apoyado sobre la carcasa.
2. Con cuidado, levante el cabezal de la bomba y gírelo, de modo que la caja de conexiones quede en la posición deseada. NO sitúe la caja de conexiones bajo la bomba. Asegúrese de que la junta tórica se encuentre bien asentada en la carcasa de la bomba.
3. Vuelva a colocar el cabezal de la bomba en la carcasa.

4. Apriete los tornillos Allen uniformemente.
Par de ajuste:
8 mm: 15 ft lbs
10 mm: 25 ft lbs
5. Compruebe que el rotor pueda girar libremente. Hágalo retirando el tapón de venteo situado en el centro de la placa de datos de la bomba. Inserte un destornillador mediano de punta plana en la ranura del extremo expuesto del eje. Gire el eje con cuidado. Si el eje no gira con facilidad, repita los pasos 1 a 4 anteriores.
6. La posición de la placa de datos se puede cambiar insertando un destornillador en el hueco del borde exterior de la placa para aflojarla. Gire la placa de datos para colocarla en la posición que desee y encájela de nuevo.
7. Consulte las páginas 54 y 55 si desea obtener más información.

4.2 Aspectos relacionados con las tuberías

Limpie y enjuague bien la suciedad y los sedimentos que pueda contener el sistema antes de llevar a cabo la instalación de la bomba.

Situación en la red de tuberías

La bomba no debe situarse en ningún caso en el punto más bajo de la red de tuberías, en el que se acumulan la suciedad y los sedimentos. Tampoco en el punto más alto de la red de tuberías, donde se acumula el aire.

Posiciones de instalación

Las flechas que contienen las bridas de la bomba indican el sentido del flujo de agua. Aunque la instalación de la bomba UPS puede tener lugar tanto en tuberías verticales como horizontales, el eje del motor debe permanecer siempre en posición horizontal, como muestran las figs. 1 y 2.

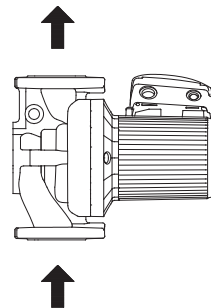


Fig. 2 Sentido del flujo de agua a través de la bomba

TM03 7290 4706

Nota

Las bombas instaladas en exteriores deben dotarse de una cubierta ventilada que las proteja del agua, la humedad y la suciedad.

ADVERTENCIA



Una vez instalada, la posición de la bomba debe impedir que una persona pueda entrar en contacto accidentalmente con las superficies calientes de la misma.

4.3 Conexión de la bomba

Instale la bomba en la red de tuberías.

Grundfos recomienda la instalación de manómetros en las bridas o tuberías de entrada y descarga para facilitar la comprobación del desempeño de la bomba y el sistema.

4.4 Conexión eléctrica

Las tareas de conexión y protección eléctrica deben ser llevadas a cabo por un electricista calificado, de acuerdo con lo descrito en la edición más reciente del Código Eléctrico Nacional y los códigos y normas locales en vigor.

ADVERTENCIA

No lleve a cabo conexiones en la caja de conexiones de la bomba a menos que esta se encuentre desconectada de la red eléctrica.



La bomba debe contar con conexión a tierra.

La bomba debe permanecer conectada a un interruptor diferencial que permita desconectarla de la red eléctrica.

Los valores de voltaje y frecuencia de operación figuran en la placa de datos de la bomba. Asegúrese de que el motor sea apto para la red eléctrica a la que debe conectarse.

La bomba debe conectarse a tierra con objeto de proporcionar protección frente al contacto indirecto; puede emplearse también un interruptor de fallas de conexión a tierra como medida de protección complementaria.

Bomba de varias velocidades (monofásica)

Todas las bombas monofásicas incorporan un dispositivo de protección contra sobrecarga térmica dotado de función de restablecimiento automático. La bomba cuenta con protección en las tres velocidades.

Bomba de varias velocidades (trifásica)

La bomba debe conectarse a la red eléctrica a través de un contactor externo. El contactor debe conectarse a los terminales T1 y T2 (3 x 208-230 V) o P1 y P2 (3 x 460 V y 575 V) del interruptor de sobrecarga térmica incorporado para que la bomba cuente con protección en las tres velocidades.

O BIEN: Si la bomba se protege empleando un arrancador de motor, este deberá configurarse de acuerdo con el consumo de corriente de la bomba a la velocidad seleccionada. La configuración del arrancador de motor deberá modificarse cada vez que se modifique la velocidad de la bomba. El consumo de corriente a las diferentes velocidades figura en la placa de datos de la bomba.

Las figs. 4, 6, 7, 9 y 10 que encontrará en las páginas siguientes ilustran las posibles conexiones.

4.4.1 Caja de conexiones de la bomba UPS, 1 x 115 V y 1 x 230 V

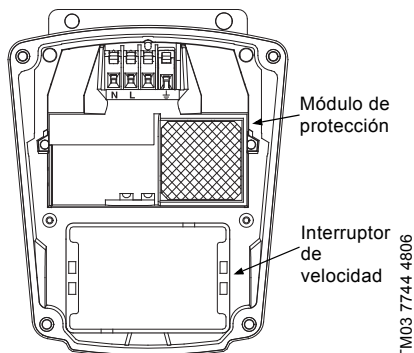
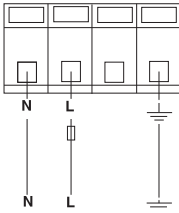


Fig. 3 Caja de conexiones de la bomba UPS, 1 x 115 V y 1 x 230 V

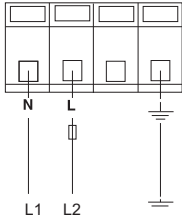
Todas las bombas UPS monofásicas cuentan con un módulo de protección y un interruptor de velocidad, como muestra la fig. 3. Todas ellas incorporan, además, un dispositivo de protección contra sobrecarga térmica dotado de función de restablecimiento automático. Las bombas cuentan con protección en las tres velocidades.

Esquemas de cableado

La fig. 4 ilustra las conexiones eléctricas que precisa una bomba monofásica con módulo de protección.



Alimentación, 1 x 115 V



Alimentación, 1 x 230 V

Fig. 4 Alimentación, 1 x 115 V y 1 x 230 V

Nota

Equipe el sistema con los dispositivos de desconexión eléctrica y protección contra exceso de corriente exigidos por los códigos eléctricos locales.

K = Contactor externo según las corrientes FL y LR de la bomba.

4.4.2 Caja de conexiones de la bomba UPS, 3 x 208-230 V

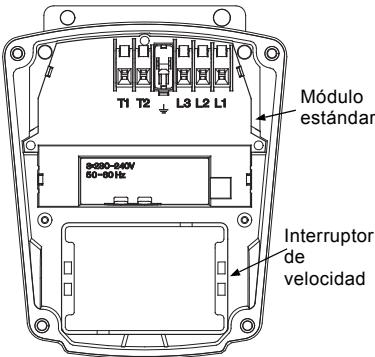


Fig. 5 Caja de conexiones de la bomba UPS, 3 x 208-230 V

TM03 7743 4806

TM03 7742 4806

Todas las bombas UPS trifásicas de 208-230 V cuentan con un módulo estándar y un interruptor de velocidad, como muestra la fig. 5. Todas ellas están equipadas, además, con un interruptor interno de sobrecarga térmica (terminales T1 y T2) que debe conectarse a un contactor externo y las protege en las tres velocidades.

Esquemas de cableado

La fig. 6 muestra las conexiones eléctricas necesarias para el uso de un contacto de conmutación externo (circuito de seguridad) conectado al cuadro de pulsadores de arranque/paro.

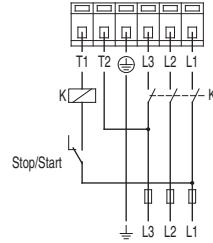


Fig. 6 Contacto de interruptor externo

Contactos auxiliares aptos para el voltaje de alimentación.

La fig. 7 muestra las conexiones eléctricas necesarias para el uso de contactos de impulso externos (contactos momentáneos) conectados al cuadro de pulsadores de arranque/paro.

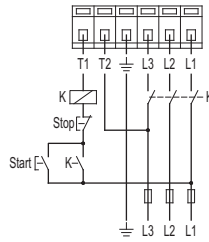


Fig. 7 Contactos de impulso externos

TM03 7892 5106

TM03 7740 4806

4.4.3 Caja de conexiones de la bomba UPS, 3 x 460 V y 575 V

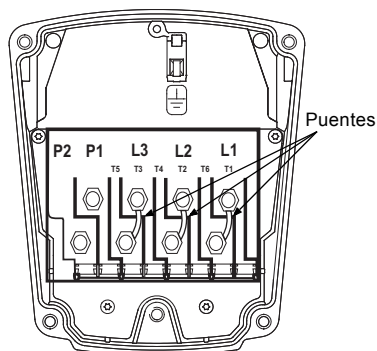


Fig. 8 Caja de conexiones de la bomba UPS, 3 x 460 V y 575 V

Todas las bombas UPS trifásicas de 460 V y 575 V (fig. 8) cuentan con una caja de conexiones especial de dos velocidades. En ellas, la velocidad se modifica cambiando la orientación de los puentes, como se muestra en la página 46. Todas las bombas de este tipo están equipadas con un interruptor interno de sobrecarga térmica (terminales P1 y P2) que debe conectarse a un contactor externo.

Esquemas de cableado

La fig. 9 muestra las conexiones eléctricas necesarias para el uso de un contacto de conmutación externo (circuito de seguridad) conectado al cuadro de pulsadores de arranque/paro.

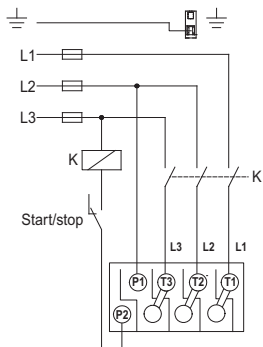


Fig. 9 Contacto de conmutación externo

Contactos auxiliares aptos para el voltaje de alimentación.

TM03 7739 4806

TM03 7738 5106

La fig. 10 muestra las conexiones eléctricas necesarias para el uso de contactos de impulso externos (contactos momentáneos) conectados al cuadro de pulsadores de arranque/paro.

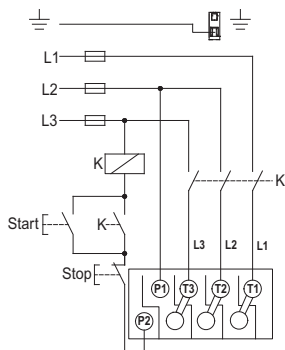


Fig. 10 Contactos de impulso externos

TM03 7737 4806

5. Arranque de la bomba

5.1 Venteo de la red de tuberías

Una vez instalada la bomba y llevadas a cabo las conexiones eléctricas, es preciso ventear la red de tuberías.

Precaución No permita que la bomba opere en seco; el sistema debe llenarse de líquido y ventearse en primer lugar.

Nota No use la bomba para ventear la red de tuberías.

En su lugar, lleve a cabo los pasos descritos a continuación:

1. Llène la red de líquido y presurícela; ventee todo el aire atrapado en las tuberías empleando métodos adecuados.
2. Si el sistema contiene válvulas de corte, asegúrese de que todas ellas se encuentren ABIERTAS.

ADVERTENCIA



Si es preciso aflojar el tornillo de venteo, tome precauciones para evitar que un posible escape de líquido a gran temperatura provoque lesiones personales o daños a los componentes (consulte la fig. 12).

5.2 Comprobación del sentido de giro del eje

Válido sólo para modelos de 460 V y 575 V con dos velocidades

En bombas de tres velocidades, el sentido de giro se comprueba empleando la tabla de búsqueda de fallas (páginas 47 y 48).

1. Asegúrese de que la bomba se encuentre apagada.
2. Desensosque y retire el tapón de venteo situado en el centro de la placa de datos.
3. Inserte un destornillador pequeño de punta plana en la ranura del extremo del eje del motor (consulte la fig. 12). Haga girar el eje con el destornillador para asegurarse de que puede hacerlo libremente.
4. Ponga en marcha la bomba brevemente y observe en qué sentido gira el eje. Debe hacerlo en sentido contrario a las agujas del reloj, tal y como muestra la placa de datos (consulte la fig. 11).
5. Si el eje de la bomba no gira en el sentido correcto, desconéctela de la red eléctrica e intercambie dos cualesquiera de los conductores de alimentación en la caja de conexiones.
6. Compruebe de nuevo si el eje gira en sentido contrario a las agujas del reloj. Si el sentido de giro es correcto, vuelva a colocar el tapón de venteo.



Fig. 11 Tapón de venteo y sentido de giro

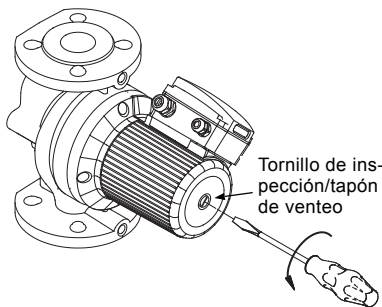


Fig. 12 Extracción del tapón de venteo

5.3 Selección de velocidades

5.3.1 Bombas de tres velocidades (todos los modelos, excepto 3 x 460 V y 575 V)

El interruptor de velocidad que contiene la caja de conexiones se puede colocar en tres posiciones. Las velocidades correspondientes a cada una de las tres posiciones aparecen recogidas en la tabla siguiente (consulte también la fig. 13).

Posición del interruptor	Velocidad en % de la velocidad máxima	
	Bombas monofásicas	Bombas trifásicas
1	60 %, aprox.	70 %, aprox.
2	80 %, aprox.	85 %, aprox.
3	100 %	100 %

La selección de las velocidades más bajas contribuye notablemente a reducir el consumo energético y moderar el ruido generado por el sistema.

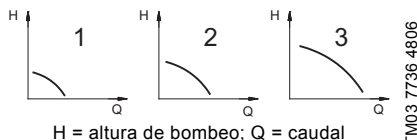


Fig. 13 Desempeño de la bomba en función de la velocidad seleccionada

ADVERTENCIA



No lleve a cabo conexiones en la caja de conexiones de la bomba a menos que esta se encuentre desconectada de la red eléctrica.

Para modificar el desempeño de la bomba, lleve a cabo los pasos descritos a continuación:

1. Desconecte la bomba de la red eléctrica accionando el interruptor diferencial. El indicador luminoso de color verde que contiene la caja de conexiones debe encontrarse apagado.
2. Retire la cubierta de la caja de conexiones aflojando los cuatro tornillos.
3. Extraiga el módulo de conmutación de velocidad e insértelo de nuevo, de modo que la velocidad deseada pueda verse a través del visor de la caja de conexiones (consulte la fig. 14).

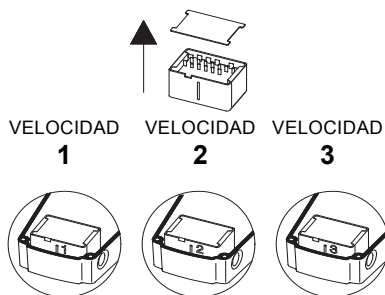


Fig. 14 Módulo de conmutación de velocidad

Para seleccionar la velocidad 1 o alguna otra si es esta la que se encuentra seleccionada, es preciso retirar la cubierta del módulo de conmutación de velocidad y colocarla al otro lado del interruptor.

Nota

4. Vuelva a colocar la cubierta de la caja de conexiones y apriete los cuatro tornillos.
5. Conecte la bomba a la red eléctrica. Compruebe que el indicador luminoso de color verde permanezca encendido o parpadee.

El módulo de conmutación de velocidad no debe emplearse como interruptor de encendido/apagado en ningún caso.

Nota

5.3.2 Bombas de dos velocidades (3 x 460 V y 575 V)

Es posible seleccionar cualquiera de las dos velocidades a través de la caja de conexiones. Ambas aparecen recogidas en la tabla siguiente (consulte también la fig. 13 en la página 45).

Etapa de velocidad	Velocidad en % de la velocidad máx.
1	75 %, aprox.
2	100 %

ADVERTENCIA



No lleve a cabo conexiones en la caja de conexiones de la bomba a menos que esta se encuentre desconectada de la red eléctrica.

Para modificar el desempeño de la bomba, lleve a cabo los pasos descritos a continuación:

La velocidad se modifica cambiando la posición de los puentes conectados a los terminales. Los puentes deben colocarse de acuerdo con:

- la figura 15, para seleccionar la velocidad 1 (baja velocidad);
- la figura 16, para seleccionar la velocidad 2 (alta velocidad).

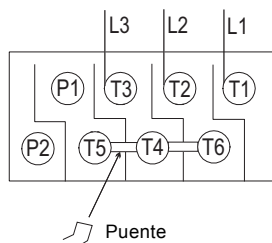


Fig. 15 Velocidad 1 (baja velocidad)

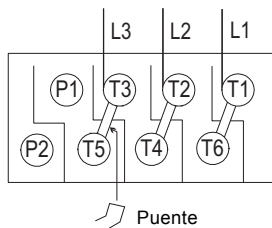


Fig. 16 Velocidad 2 (alta velocidad)

TM03 7735 4806

TM03 7734 4806

TM03 7733 4806

6. Solución de problemas

6.1 Tabla de búsqueda de fallas

ADVERTENCIA



Antes de retirar la cubierta de la caja de conexiones, asegúrese de haber desconectado la bomba de la red eléctrica y de que la conexión no pueda volver a establecerse accidentalmente.

Puede que el líquido bombeado se encuentre a una temperatura suficiente como para provocar quemaduras y sometido a una elevada presión. Antes de desmantelar o desmontar la bomba, drene el sistema o cierre las válvulas de corte situadas a ambos lados de la misma.

Falla	Causa	Solución
1. La bomba no opera. Ninguno de los indicadores luminosos se encuentra encendido.	a) Uno de los fusibles de la instalación se ha fundido.	Sustituya el fusible.
	b) El interruptor diferencial está desconectado.	Conecte el interruptor diferencial.
	c) El interruptor de fallas de tierra accionado por corriente/voltaje se ha disparado.	Repare los defectos de aislamiento y restablezca el interruptor.
	d) El interruptor interno de sobrecarga térmica de la bomba se ha disparado (sólo módulo estándar).	Compruebe que la temperatura del líquido se encuentre comprendida entre los límites especificados. Con contacto de conmutación externo para el control del encendido/apagado de la bomba: La bomba volverá a ponerse en marcha automáticamente una vez que alcance de nuevo su temperatura normal. Con contactos de impulso externos para el control del encendido/apagado de la bomba: La bomba se podrá volver a poner en marcha una vez que alcance de nuevo su temperatura normal.
2. La bomba no opera. El indicador luminoso de color verde está encendido.	a) El rotor está bloqueado, pero el interruptor de sobrecarga térmica no ha detenido la bomba.	Desconecte la bomba de la red eléctrica y limpie/repare la bomba.
	b) El módulo de conmutación de velocidad no se encuentra instalado.	Desconecte la bomba de la red eléctrica por medio del interruptor diferencial e instale correctamente el módulo de conmutación de velocidad.
3. Sólo bombas trifásicas: La bomba opera. Los indicadores luminosos de colores rojo y verde están encendidos.	a) La bomba opera, pero gira en sentido incorrecto.	Desconecte la bomba de la red eléctrica por medio del interruptor diferencial e intercambie dos fases (conductores) cualesquiera en la caja de conexiones de la bomba.

Falla	Causa	Solución
4. El sistema genera ruido. El indicador luminoso de color verde está encendido.	a) El sistema contiene aire.	Ventee el sistema.
	b) La bomba está desarrollando un caudal demasiado elevado.	Reduzca el desempeño de la bomba.
	c) La presión es demasiado elevada.	Reduzca el desempeño de la bomba.
5. La bomba genera ruido. El indicador luminoso de color verde está encendido.	a) La bomba contiene aire.	Ventee la bomba.
	b) La presión de entrada es demasiado baja.	Aumente la presión de entrada y/o compruebe el volumen de aire que contiene el tanque de expansión (si se encuentra instalado).
6. Ciertas áreas del sistema de calefacción no generan calor suficiente.	a) El desempeño de la bomba es demasiado bajo.	Aumente el desempeño de la bomba (si es posible) o sustítuyala por otra capaz de desarrollar un caudal superior.
7. Bombas monofásicas con módulo de protección (sólo). La bomba no opera. El indicador luminoso de color rojo está encendido. El indicador luminoso de color verde está apagado.	a) El interruptor de sobrecarga térmica ha detenido la bomba como resultado de la elevada temperatura del líquido o un bloqueo del rotor.	Compruebe que la temperatura del líquido se encuentre comprendida entre los límites especificados. La bomba volverá a ponerse en marcha automáticamente una vez que alcance de nuevo su temperatura normal. NOTA: Si el interruptor de sobrecarga térmica ha detenido la bomba más de tres veces a lo largo de un período de tiempo breve, será necesario volver a ponerla en marcha manualmente tras desconectarla de la red eléctrica.
	b) El módulo de conmutación de velocidad no se encuentra instalado.	Desconecte la bomba de la red eléctrica por medio del interruptor diferencial e instale el módulo de conmutación de velocidad.

6.2 Pruebas preliminares

Voltaje de alimentación

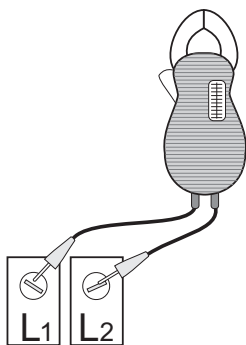
Use un voltímetro para comprobar el voltaje suministrado al motor.

ADVERTENCIA



Extreme la precaución; recuerde que la bomba continúa conectada a la red eléctrica. No permita que los conductores del voltímetro se toquen mientras permanecen en contacto con las líneas de alimentación.

Motores monofásicos	Motores trifásicos
<p>Ponga los conductores del voltímetro en contacto con cada una de las líneas de alimentación de la bomba:</p> <ul style="list-style-type: none"> • L y N para circuitos de 115 V; • L1 y L2 para circuitos de 230 V. 	<p>Ponga los conductores del voltímetro en contacto con:</p> <ul style="list-style-type: none"> • los conductores de alimentación L1 y L2; • los conductores de alimentación L2 y L3; • los conductores de alimentación L3 y L1. <p>Todas las medidas anteriores deben ofrecer como resultado una lectura de voltaje de red sin alteraciones.</p>



TM03 7749 4806

Fig. 17 Comprobación de la alimentación de un motor monofásico

Evaluación

Si el motor se encuentra sometido a una carga, el voltaje debe ser equivalente al que se indica en la placa de datos, con una tolerancia del 10 % (+ o -). Cualquier variación que supere dicha tolerancia podría deberse a una deficiencia del suministro eléctrico, lo cual, a su vez, puede dar lugar a daños en los bobinados del motor. El motor no debe operar en tales condiciones. Póngase en contacto con la empresa responsable del suministro eléctrico para solicitar la resolución del problema o sustituya el motor por otro apto para el nivel de voltaje recibido a través de la red.

6.3 Medida de la corriente

Use un amperímetro para comprobar la corriente. Lleve a cabo la prueba siguiendo los pasos descritos a continuación:

1. Asegúrese de que la bomba está operando.
2. Seleccione la escala apropiada en el amperímetro.
3. Coloque las tenazas del amperímetro alrededor del conductor cuya corriente desee medir.
4. Compare el resultado de la lectura con la información de consumo de corriente indicada en la placa de datos.
5. Repita la operación con los demás conductores.

Evaluación

Si el consumo de corriente supera el indicado en la placa de datos de la bomba o el desequilibrio de corriente entre los conductores de las unidades trifásicas es superior al 5 %, el problema podría tener su origen en las causas descritas a continuación:

- Puede que el voltaje suministrado a la bomba sea demasiado alto o demasiado bajo.
- Puede que los contactos del arrancador de motor sufran quemaduras.

- Puede que los terminales del arrancador o la caja de conexiones estén sueltos.
- Puede que el motor sufra un defecto de bobinado. Compruebe los bobinados y la resistencia de aislamiento.
- Puede que los bobinados del motor se hayan cortocircuitado o hayan establecido contacto con un conductor de tierra.
- Puede que la bomba haya sufrido algún tipo de falla que esté provocando una sobrecarga en el motor.
- Puede que exista algún problema relacionado con el suministro de voltaje o la estabilidad del mismo.

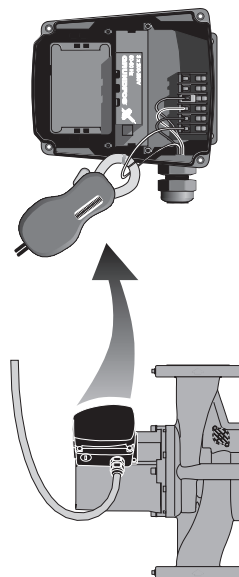


Fig. 18 Medida de la corriente

TM03 7293 4706

6.4 Resistencia de aislamiento (conductor a tierra)

Use un megóhmetro para comprobar la resistencia de aislamiento (conductor a tierra) del motor y los conductores.

Lleve a cabo la prueba siguiendo los pasos descritos a continuación:

1. APAGUE la bomba.
2. Desconecte todos los conductores eléctricos conectados al motor.
3. Coloque el selector de escala del megóhmetro en la posición $R \times 100 K$, ponga en contacto los dos conductores y calibre el indicador a cero.
4. Ponga los conductores del megóhmetro en contacto con cada uno de los conductores del motor y una superficie conductora de tierra (esto es, L1 y tierra, L2 y tierra, etc.).

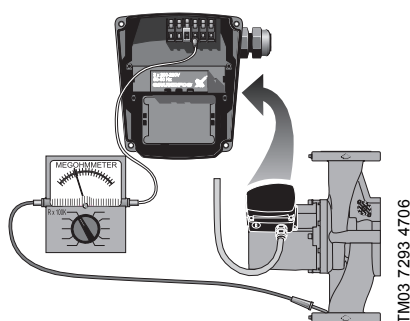


Fig. 19 Medida de la resistencia de aislamiento

Evaluación

La resistencia de un motor nuevo debe ser superior a 1,000,000 ohmios. Si no lo es, sustituya el motor.

6.5 Resistencia de los bobinados (línea a línea)

Use un megóhmetro para comprobar la resistencia de los bobinados del motor.

Lleve a cabo la prueba siguiendo los pasos descritos a continuación:

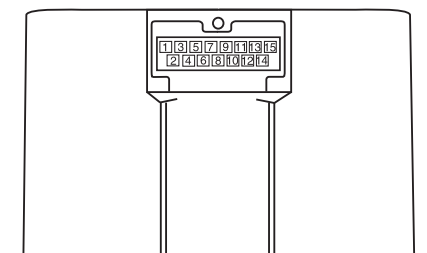
1. APAGUE la bomba.
2. Desconecte todos los conductores eléctricos conectados al motor.
3. Coloque el selector de escala del megóhmetro en la posición $R \times 1$, ponga en contacto los dos conductores y calibre el indicador a cero.
4. Empleando como referencia las tablas siguientes, ponga en contacto los conductores del megóhmetro con los pares de conectores que correspondan. Compruebe todos los pares que se encuentren presentes, anote el valor de las lecturas y etiquételas (RA , RS_1 , RS_2 y R).
5. Compare las lecturas con los valores correspondientes al modelo, la fase y el voltaje en cuestión de acuerdo con las tablas de las páginas 52 y 53.

Evaluación

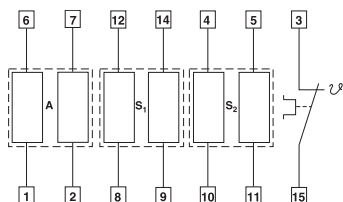
Los valores de resistencia no deben superar los límites de tolerancia indicados en las tablas de las páginas 52 y 53. Si es así, sustituya el motor.

Bomba UPS, cableado interno

Conector del estator



Modelo monofásico



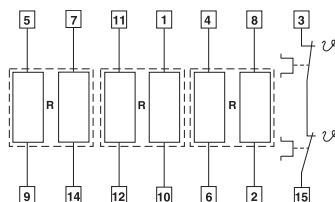
RA: 6-1 o 6-1, 7-2

RS₁: 12-8 o 12-8, 14-9RS₂: 4-10 o 4-10, 5-11

RA: Bobinado principal

RS₁: Bobinado auxiliarRS₂: Bobinado auxiliar

Modelo trifásico, 208-230 V



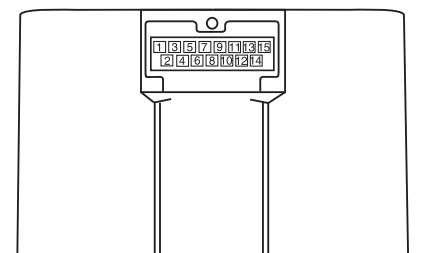
R: 5-9 o 5-9, 7-14

R: 11-12 o 11-12, 1-10

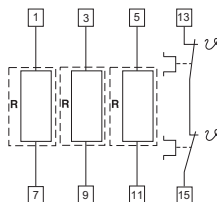
R: 4-6 o 4-6, 8-2

Bomba UPS, cableado interno

Conector del estator



Modelo trifásico, 460/575 V



6.6 Tabla de resistencias de los bobinados

60 Hz

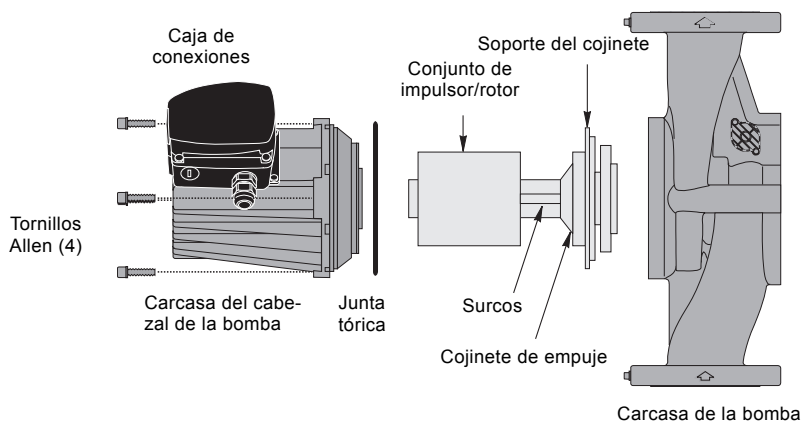
Tipo de bomba	Voltaje	[Ω] 68 °F - 122 °F (20 °C - 50 °C)			
		R	RA	RS ₁	RS ₂
UPS 32-40/4	1 x 115 V		17.8 - 23.2	3.95 - 5.20	9.40 - 12.4
	1 x 230 V		70.0 - 91.5	17.0 - 22.2	39.5 - 52.0
	3 x 208-230 V	180 - 236			
	3 x 460 V	360 - 470			
	3 x 575 V	575 - 750			
UPS 32-80/2	1 x 115 V		9.55 - 12.6	3.05 - 4.00	6.70 - 8.80
	1 x 230 V		19.4 - 25.5	5.45 - 7.10	12.6 - 16.4
	3 x 208-230 V	44.0 - 57.5			
	3 x 460 V	83.5 - 110			
	3 x 575 V	132 - 174			
UPS 32-160/2	1 x 115 V		4.15 - 5.45	1.20 - 1.56	2.65 - 3.50
	1 x 230 V		8.30 - 10.8	2.20 - 2.90	5.05 - 6.65
	3 x 208-230 V	26.0 - 34.0			
	3 x 460 V	53.5 - 70.0			
	3 x 575 V	84.5 - 110			
UPS 40-40/4	1 x 115 V		11.4 - 15.0	2.95 - 3.85	5.60 - 7.35
	1 x 230 V		50.5 - 66.5	14.0 - 18.4	25.5 - 34.0
	3 x 208-230 V	118 - 154			
	3 x 460 V	234 - 310			
	3 x 575 V	360 - 475			
UPS 40-80/2	1 x 115 V		5.60 - 7.35	1.84 - 2.42	4.50 - 5.90
	1 x 230 V		11.0 - 14.4	3.95 - 5.20	8.55 - 11.2
	3 x 208-230 V	32.0 - 42.0			
	3 x 460 V	64.0 - 84.0			
	3 x 575 V	102 - 132			
UPS 40-80/4	1 x 115 V		4.15 - 5.45	1.94 - 2.55	3.30 - 4.35
	1 x 230 V		8.10 - 10.6	3.05 - 4.00	4.60 - 6.05
	3 x 208-230 V	46.5 - 61.0			
	3 x 460 V	90.5 - 118			
	3 x 575 V	164 - 216			
UPS 40-160/2	1 x 115 V		2.85 - 3.75	1.10 - 1.44	1.94 - 2.55
	1 x 230 V		5.60 - 7.35	2.02 - 2.66	3.75 - 4.95
	3 x 208-230 V	22.8 - 30.0			
	3 x 460 V	45.5 - 59.5			
	3 x 575 V	72.0 - 95.0			
UPS 40-240/2	1 x 230 V		6.80 - 8.95	2.02 - 2.65	3.70 - 4.85
	3 x 208-230 V	11.0 - 14.4			
	3 x 460 V	22.0 - 29.0			
	3 x 575 V	35.0 - 45.5			

Tipo de bomba	Voltaje	[Ω] 68 °F - 122 °F (20 °C - 50 °C)			
		R	RA	RS ₁	RS ₂
UPS 50-40/4	1 x 115 V		6.55 - 8.55	2.12 - 2.80	4.30 - 5.65
	1 x 230 V		25.0 - 33.0	8.30 - 10.8	15.0 - 19.8
	3 x 208-230 V	57.5 - 75.0			
	3 x 460 V	114 - 148			
	3 x 575 V	184 - 242			
UPS 50-80/2	1 x 115 V		4.15 - 5.45	1.20 - 1.56	2.65 - 3.50
	1 x 230 V		8.30 - 10.80	2.20 - 2.90	5.05 - 6.65
	3 x 208-230 V	26.0 - 34.0			
	3 x 460 V	33.5 - 70.0			
	3 x 575 V	84.5 - 110			
UPS 50-80/4	1 x 115 V		2.75 - 3.60	1.74 - 2.30	2.85 - 3.75
	1 x 230 V		5.50 - 7.25	2.65 - 3.50	4.95 - 6.50
	3 x 208-230 V	37.0 - 49.0			
	3 x 460 V	79.0 - 104			
	3 x 575 V	120 - 156			
UPS 50-160/2	1 x 230 V		6.80 - 8.95	2.02 - 2.65	3.70 - 4.85
	3 x 208-230 V	12.4 - 16.2			
	3 x 460 V	24.2 - 31.5			
	3 x 575 V	37.5 - 49.5			
UPS 50-240/2	3 x 208-230 V	7.80 - 10.2			
	3 x 460 V	15.6 - 20.6			
	3 x 575 V	25.0 - 33.0			
UPS 53-55/57	1 x 115 V		4.15 - 5.45	1.20 - 1.56	2.65 - 3.50
	1 x 230 V		8.30 - 10.80	2.20 - 2.90	5.05 - 6.65
	3 x 208-230 V	26.0 - 34.0			
	3 x 460 V	33.5 - 70.0			
	3 x 575 V	84.5 - 110			
UPS 75-69	1 x 230 V		6.80 - 8.95	2.02 - 2.65	3.70 - 4.85
	3 x 208-230 V	12.4 - 16.2			
	3 x 460 V	24.2 - 31.5			
	3 x 575 V	37.5 - 49.5			
UPS 80-40/4	3 x 208-230 V	46.5 - 61.0			
	3 x 460 V	90.5 - 118			
	3 x 575 V	164 - 216			
UPS 80-80/4	3 x 208-230 V	23.6 - 31.0			
	3 x 208-230 V	7.80 - 10.2			
UPS 80 -160/2	3 x 460 V	15.6 - 20.6			
	3 x 575 V	25.0 - 33.0			
	3 x 208-230 V	27.5 - 36.0			
UPS 100-40/4	3 x 460 V	54.5 - 71.5			
	3 x 575 V	86.0 - 114			

7. Sustitución de componentes

7.1 Desmontaje del cabezal de la bomba

1. Desconecte o APAGUE la fuente de alimentación.
2. Cierre las válvulas de corte situadas a cualquiera de los lados de la bomba para no drenar el líquido que contiene el sistema.
3. Desconecte los conductores eléctricos de la caja de conexiones.
4. Desconecte y extraiga el conducto de la caja de conexiones.
5. Afloje y desenrosque los cuatro tornillos Allen (de 8 o 10 mm) que mantienen la carcasa del cabezal de la bomba unida a la carcasa de la bomba.
6. Separe el cabezal de la bomba de la carcasa de la bomba.
7. Limpie de materiales extraños las superficies maquinadas de la carcasa de la bomba.



TM03 7292 4706

Fig. 20 Desmontaje e instalación del cabezal de la bomba

7.2 Instalación del cabezal de la bomba

1. Con cuidado, extraiga el nuevo cabezal de la bomba de su embalaje. Separe el conjunto de impulsor/rotor del nuevo cabezal de la bomba.
2. Mientras sujeta el cojinete de empuje, introduzca con cuidado el conjunto de impulsor/rotor en la carcasa de la bomba. El soporte del cojinete debe encajar con precisión sobre la superficie maquinada inferior de la carcasa de la bomba.
3. Asegúrese de que el conjunto de impulsor/rotor pueda girar libremente.
4. Pase la junta tórica alrededor del rotor y colóquela en el surco circular interior de la carcasa de la bomba.
5. Con cuidado, coloque la carcasa del cabezal de la bomba sobre el rotor; gírela hasta que la caja de conexiones ocupe la posición que desee (consulte el apartado 4.1 de la sección *Posición de la caja de conexiones*).
6. Asegúrese de que la carcasa del cabezal de la bomba se asiente bien en la carcasa de la bomba.
No fuerce la unión; si las piezas no encajan, desmóntelas y repita los pasos 2 a 6. Apriete uniformemente los tornillos Allen para fijar el cabezal de la bomba.
 Par de ajuste:
 8 mm: 15 ft lb
 10 mm: 25 ft lb
7. Compruebe que el eje del motor pueda girar libremente siguiendo los pasos descritos en el apartado 4.1 de la sección *Rotación de la caja de conexiones*.

7.3 Sustitución de la caja de conexiones o el condensador

Antes de sustituir la caja de conexiones, asegúrese de que los parámetros eléctricos impresos en la nueva caja coincidan con los impresos en la caja antigua y de que la nueva caja sea compatible con la bomba y la red eléctrica a la que esta se encuentra conectada.

Es de fundamental importancia fijar bien el tornillo de conexión a tierra de la caja de conexiones; sólo así podrá garantizarse la correcta conexión de la caja de conexiones al motor.

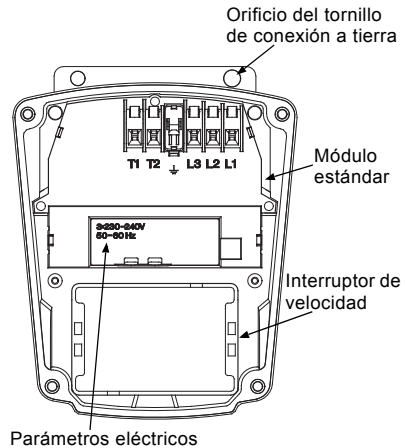


Fig. 21 Caja de conexiones

TM03 7742 4806

Todos los componentes	1.	Antes de sustituir la caja de conexiones o el condensador, asegúrese de que la bomba se encuentre desconectada de la red eléctrica.
	2.	Retire la cubierta de la caja de conexiones desenroscando completamente los cuatro tornillos torx/estándar.
	3.	Retire el interruptor de velocidad (tras haber tomado nota de su posición) tirando firme y uniformemente de ambos lados (no válido para bombas de 460/575 V).
Condensador	a.4.	Sustitución del condensador (sólo para bombas monofásicas): Desconecte las dos pinzas de conexión del condensador y desenrosque la tuerca protectora de plástico. Desconecte el cable del condensador y retire la protección.
	a.5.	Enrosque una tuerca protectora nueva y conecte las nuevas pinzas de conexión. Saque el exceso de cable revestido fuera de la caja de conexiones (asegúrese de que quede, al menos, 1/8" de cable revestido en el interior de la caja de conexiones).
Caja de conexiones	b.4.	Sustitución de la caja de conexiones: Desconecte todos los cables, desenrosque los tres tornillos Phillips mientras mantiene sujeta la caja de conexiones y desmóntela tirando de ella firme y uniformemente de ambos lados.
	b.5.	Compruebe que la junta de caucho transparente se encuentre colocada alrededor del vástago de conexión de la caja de conexiones, encaje con cuidado la caja de conexiones en el hueco del estátor, vuelva a enroscar los tres tornillos Phillips y conecte de nuevo los cables.
Todos los componentes	6.	Vuelva a instalar el interruptor de velocidad en la posición correcta, asegurándose de introducirlo completamente (no válido para bombas de 460/575 V).
	7.	Vuelva a colocar la cubierta de la caja de conexiones y apriete los cuatro tornillos torx/estándar.
	8.	Conecte la bomba a la red eléctrica. La bomba quedará así lista para operar.

8. Eliminación

La eliminación de este producto o partes de él debe realizarse de forma respetuosa con el medio ambiente:

- Utilice el servicio local, público o privado, de recogida de residuos.

- Si esto no es posible, contacte con la compañía o servicio técnico Grundfos más cercano.

Nos reservamos el derecho a modificaciones sin previo aviso.

1.	قبل استبدال صندوق التوصيل أو المكثف، تأكد من فصل التيار الكهربائي.	
2.	انزع غطاء صندوق التوصيل عن طريق فك جميع البراغي القياسية الأربعة.	الجميع
3.	نبيهه. (ليس انزع مفتاح السرعة (ملاحظاً موضعه) عن طريق السحب بثبات وقوة على جا لأجل 460/575 فولت).	
a.4.	المكثف استبدال المكثف، المضخات أبادية الطور فقط: افصل المشبكين الموصلين من وقم بفك صامولة تخفيف الضغط البلاستيكية. انزع سلك المكثف ومخفف الضغط.	المكثف
a.5.	اربط صامولة تخفيف ضغط كاملة جديدة ووصل مشابك موصلة جديدة. اسحب الكابيل الغلاف الزائد المغلف خارج صندوق التوصيل مع التأكد من ترك 1/8 بوصة على الأقل من داخل صندوق التوصيل.	
b.4.	استبدال صندوق التوصيل: افصل جميع الأسلاك وانزع براغي فيليبس ثلاثية الرؤوس التي تثبت صندوق التوصيل في مكانه وانزع صندوق التوصيل عن طريق السحب بقوة وثبات على كلا الجانبين.	صندوق التوصيل
b.5.	،وصيل تحقق من أن الحلقة المطاطية الشفافة في مكانها حول إطار توصيل صندوق الت قواضط صندوق التوصيل بقوة في جيب العضو الثابت وأعد براغي فيليبس ثلاثي الرؤوس الخاصة بالصندوق والأسلاك.	
6.	لداخل أعد وضع مفتاح السرعة في موضعه الصحيح، مع التأكد من دفعه بالكامل إلى ا (ليس لأجل 460/575 فولت).	
7.	أعد وضع غطاء صندوق التوصيل وأحكم ربط البراغي الأربعة.	الجميع
8.	شغل إمداد الطاقة الكهربائية. المضخة جاهزة للتشغيل الآن.	

7. التخلص من المنتج

يجب التخلص من هذا المنتج أو أجزاء منه بطريقة صحيحة بيئياً:

1. استخدم خدمة جمع النفايات العامة أو الخاصة.
2. إذا لم يكن هذا ممكناً، اتصل باقرب شركة جروندفوس أو ورشة خدمة.

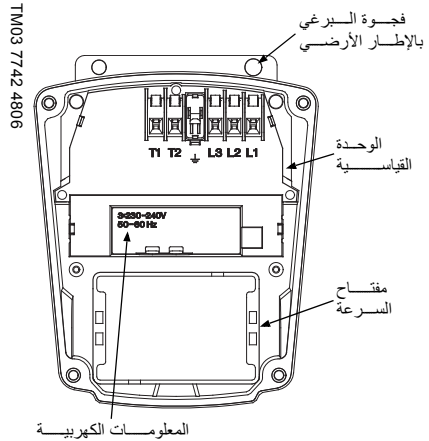
عرضة للتغييرات.

6.2 تركيب رأس المضخة

1. أخرج مجموعة رأس المضخة الجديدة من عبوتها بحرص. قم بفصل مجموعة الدافعة/العضو الدوار من رأس المضخة الجديد.
2. بينما تمسك بالحوامل، ضع مجموعة الدافعة/العضو الدوار بحرص في هيكل المضخة. ينبغي أن يركب نطاق الحوامل بشكل محكم في السطح الألي السفلي في هيكل المضخة.
3. وتأكد من أن مجموعة الدافعة /العضو الدوار يمكنهما الدوران بحرية.
4. ضع الحلقة الدائرية على العضو الدوار وضعها في القطر الداخلي لغلاف المضخة.
5. ضع رأس المضخة على العضو الدوار وأدره بحيث يكون صندوق التوصيلات في الوضع الذي تفضله، انظر القسم 3.1 تحت موقع صندوق التوصيل.
6. تأكد من أن غلاف رأس المضخة موضوع جيدًا في هيكل المضخة. لا تضغطها قسرًا - إذا كان هناك رابط قسم بتفكيكها وكرر الخطوات من 2 حتى 6. أحكم ربط السراغي سداسية الرأس بشكل متساو لإحكام ربط رأس المضخة. عزم الدوران:
15 8 mm قدم رطل
25 10 mm قدم رطل
7. تحقق لتتأكد أن عمود المحرك يدور بحرية، كما هو موضح في القسم 3.1 تحت إدارة صندوق التوصيلات الكهربائية.

6.3 استبدال صندوق التوصيل أو المكثف

إذا تم استبدال صندوق التوصيل فتأكد من أن المعلومات الكهربائية المذكورة على الصندوق الجديد تطابق المعلومات المذكورة على الصندوق القديم وأنه متوافق مع المضخة ومع مصدر إمداد الطاقة الداخلة. لجميع صناديق التوصيل، من المهم للغاية إحكام ربط سراغي تاريض الإطار من خلال صندوق التوصيل بحيث يتم التوصيل الصحيح بين صندوق التوصيل والمحرك.

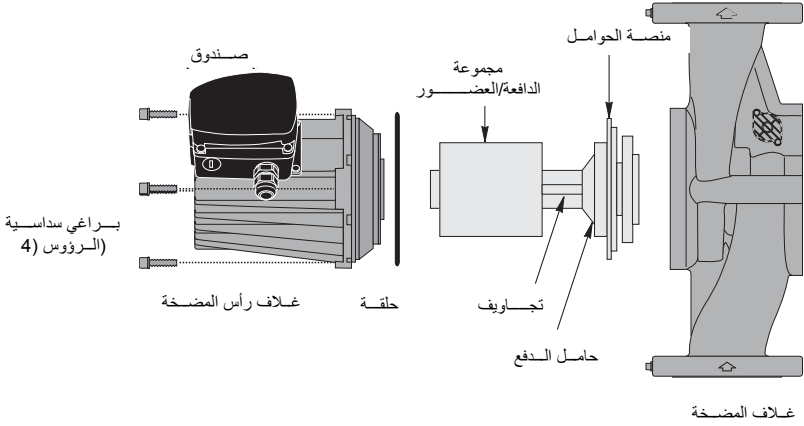


شكل 21 صندوق التوصيل

6. استبدال المكونات

6.1 نزع رأس المضخة

1. قم بفصل أو إيقاف إمداد الطاقة.
2. أغلق صمامات العزل على جانبي المضخة لتجنب تفريغ النظام من السائل.
3. قم بفصل الأقطاب الكهربائية من صندوق التوصيل.
4. قم بفصل القناة ونزعها من صندوق التوصيل.
5. قم بفك ونزع البراغي الأربعة سداسية الرأس (8 أو 10 مم) التي توصل غلاف رأس المضخة بغلاف المضخة.
6. انزع رأس المضخة من هيكل المضخة.
7. نظف الأسطح الآلية في هيكل المضخة من أي مواد غريبة.



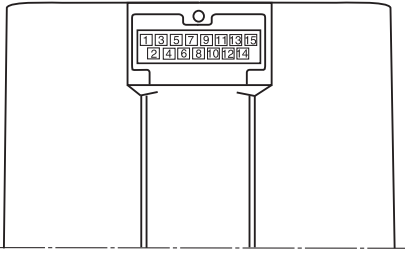
شكل 20 نزع وتركيب رأس المضخة

[Q] 68 °F - 122 °F (20 °C - 50 °C)				الجهد الكهربائي	نوع المضخة
RS2	RS1	RA	R		
4,30 - 5,65	2,12 - 2,80	6,55 - 8,55		1 x 115 V	
15,0 - 19,8	8,30 - 10,8	25,0 - 33,0		1 x 230 V	
			57,5 - 75,0	3 x 208-230 V	UPS 50-40/4
			114 - 148	3 x 460 V	
			184 - 242	3 x 575 V	
2,65 - 3,50	1,20 - 1,56	4,15 - 5,45		1 x 115 V	
5,05 - 6,65	2,20 - 2,90	8,30 - 10,80		1 x 230 V	
			26,0 - 34,0	3 x 208-230 V	UPS 50-80/2
			33,5 - 70,0	3 x 460 V	
			84,5 - 110	3 x 575 V	
2,85 - 3,75	1,74 - 2,30	2,75 - 3,60		1 x 115 V	
4,95 - 6,50	2,65 - 3,50	5,50 - 7,25		1 x 230 V	
			37,0 - 49,0	3 x 208-230 V	UPS 50-80/4
			79,0 - 104	3 x 460 V	
			120 - 156	3 x 575 V	
3,70 - 4,85	2,02 - 2,65	6,80 - 8,95		1 x 230 V	
			12,4 - 16,2	3 x 208-230 V	UPS 50-160/2
			24,2 - 31,5	3 x 460 V	
			37,5 - 49,5	3 x 575 V	
			7,80 - 10,2	3 x 208-230 V	
			15,6 - 20,6	3 x 460 V	UPS 50-240/2
			25,0 - 33,0	3 x 575 V	
2,65 - 3,50	1,20 - 1,56	4,15 - 5,45		1 x 115 V	
5,05 - 6,65	2,20 - 2,90	8,30 - 10,80		1 x 230 V	
			26,0 - 34,0	3 x 208-230 V	UPS 53-55/57
			33,5 - 70,0	3 x 460 V	
			84,5 - 110	3 x 575 V	
3,70 - 4,85	2,02 - 2,65	6,80 - 8,95		1 x 230 V	
			12,4 - 16,2	3 x 208-230 V	UPS 75-69
			24,2 - 31,5	3 x 460 V	
			37,5 - 49,5	3 x 575 V	
			46,5 - 61,0	3 x 208-230 V	
			90,5 - 118	3 x 460 V	UPS 80-40/4
			164 - 216	3 x 575 V	
			23,6 - 31,0	3 x 208-230 V	UPS 80-80/4
			7,80 - 10,2	3 x 208-230 V	
			15,6 - 20,6	3 x 460 V	UPS 80 -160/2
			25,0 - 33,0	3 x 575 V	
			27,5 - 36,0	3 x 208-230 V	
			54,5 - 71,5	3 x 460 V	UPS 100-40/4
			86,0 - 114	3 x 575 V	

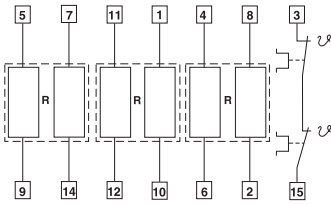
[Q] 68 °F - 122 °F (20 °C - 50 °C)				الجهد الكهربى	نوع المضخة
RS2	RS1	RA	R		
9,40 - 12,4	3,95 - 5,20	17,8 - 23,2		1 x 115 V	UPS 32-40/4
39,5 - 52,0	17,0 - 22,2	70,0 - 91,5		1 x 230 V	
			180 - 236	3 x 208-230 V	
			360 - 470	3 x 460 V	
			575 - 750	3 x 575 V	
6,70 - 8,80	3,05 - 4,00	9,55 - 12,6		1 x 115 V	
12,6 - 16,4	5,45 - 7,10	19,4 - 25,5		1 x 230 V	
			44,0 - 57,5	3 x 208-230 V	
			83,5 - 110	3 x 460 V	
			132 - 174	3 x 575 V	
2,65 - 3,50	1,20 - 1,56	4,15 - 5,45		1 x 115 V	UPS 32-160/2
5,05 - 6,65	2,20 - 2,90	8,30 - 10,8		1 x 230 V	
			26,0 - 34,0	3 x 208-230 V	
			53,5 - 70,0	3 x 460 V	
			84,5 - 110	3 x 575 V	
5,60 - 7,35	2,95 - 3,85	11,4 - 15,0		1 x 115 V	
25,5 - 34,0	14,0 - 18,4	50,5 - 66,5		1 x 230 V	
			118 - 154	3 x 208-230 V	
			234 - 310	3 x 460 V	
			360 - 475	3 x 575 V	
4,50 - 5,90	1,84 - 2,42	5,60 - 7,35		1 x 115 V	UPS 40-80/2
8,55 - 11,2	3,95 - 5,20	11,0 - 14,4		1 x 230 V	
			32,0 - 42,0	3 x 208-230 V	
			64,0 - 84,0	3 x 460 V	
			102 - 132	3 x 575 V	
3,30 - 4,35	1,94 - 2,55	4,15 - 5,45		1 x 115 V	
4,60 - 6,05	3,05 - 4,00	8,10 - 10,6		1 x 230 V	
			46,5 - 61,0	3 x 208-230 V	
			90,5 - 118	3 x 460 V	
			164 - 216	3 x 575 V	
1,94 - 2,55	1,10 - 1,44	2,85 - 3,75		1 x 115 V	UPS 40-160/2
3,75 - 4,95	2,02 - 2,66	5,60 - 7,35		1 x 230 V	
			22,8 - 30,0	3 x 208-230 V	
			45,5 - 59,5	3 x 460 V	
			72,0 - 95,0	3 x 575 V	
3,70 - 4,85	2,02 - 2,65	6,80 - 8,95		1 x 230 V	
			11,0 - 14,4	3 x 208-230 V	
			22,0 - 29,0	3 x 460 V	
			35,0 - 45,5	3 x 575 V	

توصيل الأسلاك الداخلية UPS

القياس الطرفي في العضو الساكن

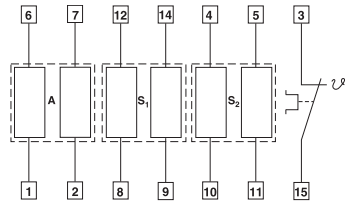


ثلاثي الأطوار 230-208 فولت



14-7, 9-5 أو R: 5-9
10-1, 12-11 أو R: 11-12
2-8, 6-4 أو R: 4-6

أحادي الطور



2-7, 1-6 أو RA: 6-1
9-14, 8-12 أو RS1: 12-8
11-5, 10-4 أو RS2: 4-10

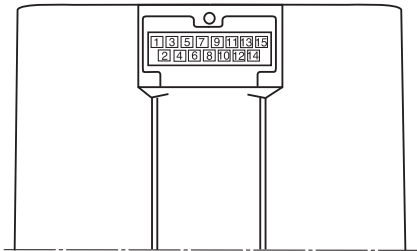
RA: اللفائف الرئيسية

RS1: اللفائف الثانوية

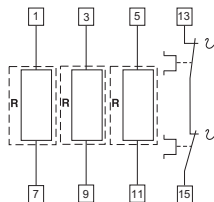
RS2: اللفائف الثانوية

توصيل الأسلاك الداخلية UPS

القياس الطرفي في العضو الساكن



ثلاثي الأطوار 460/575 فولت



5.3 قياس التيار

للتحقق من التيار، استخدم مقياسنا للتيار. لفعل ذلك، اتبع هذه الخطوات:

1. تأكد من أن المضخة تعمل.
2. قم بضبط مقياس التيار على المقياس المناسب.
3. ضع أطراف مقياس التيار حول السلك التي سيتم قياسها.
4. قارن النتائج بمعلومات سحب الأمبير المدونة على لوحة اسم المحرك.
5. كرر الخطوات للطرف الآخر.

التقييم

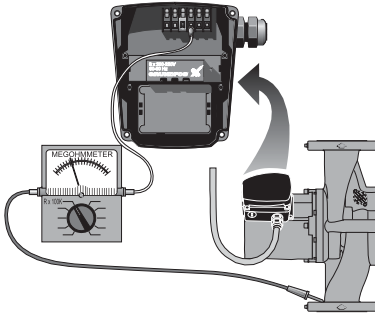
إذا تجاوز سحب التيار الأمبير المذكور على لوحة الاسم أو إذا كان عدم توازن التيار أكبر من 5% بين كل طرف في الوحدات ثلاثية الأطوار فتتحقق من التالي:

- قد يكون الجهد الكهربائي المزود إلى المضخة عاليًا جدًا أو منخفضًا جدًا.
- قد تكون الموصلات في بادئ المحرك متحركة.
- قد تكون أطراف التوصيل في البادئ أو في صندوق التوصيل مفككة.
- قد تكون هناك مشكلة في اللفائف. تحقق من مقاومة اللفائف والعزل.
- قد تكون لفائف المحرك بها انقطاع أو تآريض.
- قد تكون المضخة معطلة بطريقة ما وربما تسبب فرط الحمل على المحرك.
- قد تكون هناك مشكلة في إمداد الجهد الكهربائي أو توازنه.

5.4 مقاومة العزل (القطب إلى الأرض)

للتحقق من مقاومة العزل (القطب إلى الأرض) الخاصة بالمحرك والأقطاب، يتطلب الأمر ميجا أوميتر. لفعل ذلك، اتبع هذه الخطوات:

1. قم بفصل الطاقة.
2. قم بفصل جميع أقطاب المحرك الكهربائية.
3. قم بضبط محدد المقياس على ميجا أوميتر على $R \times 100K$ ، وقم بلمس الأقطاب معًا واضبط المؤشر على صفر.
4. المس أقطاب الميجا أوميتر بشكل منفرد بكل من أقطاب المحرك وللاأرض (أي L1 بالأرض، L2 بالأرض، إلخ).



شكل 19 قياس مقاومة العزل

التقييم

يجب أن تتجاوز قيم المقاومة للمحركات الجديدة 1.000.000 أوم. إذا لم يتحقق ذلك، فاستبدل المحرك.

5.5 مقاومة اللفائف (خط إلى خط)

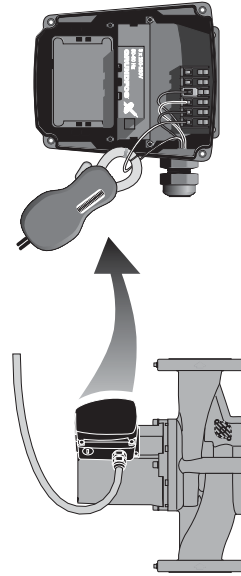
للتحقق من مقاومة اللفائف الخاصة بلفائف المحرك، يتطلب الأمر ميجا أوميتر.

لفعل ذلك، اتبع هذه الخطوات:

1. قم بإيقاف الطاقة.
2. قم بفصل جميع أقطاب المحرك الكهربائية.
3. قم بضبط محدد المقياس على ميجا أوميتر على $R \times 1$ ، وقم بلمس الأقطاب معًا واضبط المؤشر على صفر.
4. باستخدام الجداول أدناه كمرجع، قم بلامسة أقطاب الموجا أوميتر بزواج الموصلات المناسب. تحقق من جميع الأزواج الموجودة واكتب جميع القراءات وأشر عليها (RA, RS1, RS2, R).
5. قارن قراءاتك بالنموذج والطور والجهد الكهربائي الموافقين في الجدول الموجود بالصفحة 68 والصفحة 69.

التقييم

يجب أن تقع قيم المقاومة في نطاق التحمل المذكور في الصفحة 68 أو الصفحة 69. إذا لم تكن كذلك، فاستبدل المحرك.



شكل 18 قياس التيار

العلل	السبب	الإصلاح
7. المضخات أحادية الطور المزودة بوحدة حماية (فقط) المضخة لا تعمل. ضوء المؤشر الأحمر مضاء. ضوء المؤشر الأخضر مطفأ.	(a) مفتاح فرط الحمل الحراري أوقف تشغيل المضخة بسبب درجة حرارة السائل أو إعاقة العضو الدوار عن الحركة.	تأكد من أن درجة حرارة السائل ضمن النطاق المحدد. سوف تعيد المضخة تشغيل نفسها تلقائيًا عندما تبرد إلى درجة الحرارة الطبيعية. ملاحظة: إذا أوقف المفتاح الحراري المضخة 3 مرات خلال فترة قصيرة، يجب إعادة تشغيل المضخة يدويًا بفصل إمداد الكهرباء.
	(b) وحدة مفتاح السرعة ليست مركبة.	أوقف إمداد الكهرباء عن طريق مفتاح مصدر التيار الرئيسي الخارجي، وركب وحدة مفتاح السرعة.

5.2 الفحوصات المبدئية

جهد الإمداد

للتحقق من الجهد التي يتم إمداد المحرك به، استخدم مقياسًا للجهد الكهربائي.

تحذير

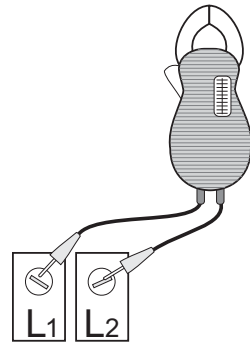
كن حريصًا، حيث إن الطاقة ما زالت تمتد إلى المضخة. لا تلامس أقطاب مقياس الجهد مع بعضها أثناء اتصالها بخطوط الطاقة.



التقييم

عندما يكون المحرك تحت حمل، يجب أن يكون الجهد الكهربائي بين 10% (+ أو -) من الجهد الكهربائي المذكور على لوحة الاسم. أي تفاوت يزيد عن ذلك قد يشير إلى إمداد كهرباء ضعيف ويمكن أن يسبب تلفًا بلفائف المحرك. ينبغي عدم تشغيل المحرك تحت هذه الظروف. اتصل بمورد الطاقة الخاص بك لتصحيح المشكلة أو قم بتغيير المحرك بأخر يتطلب الجهد الكهربائي الذي تتلقاه.

المحركات أحادية الطور	المحركات ثلاثية الأطوار
قم بلامسة أحد أقطاب مقياس الجهد مع كل من الخطوط الموفرة للطاقة إلى المضخة:	قم بلامسة قطب مقياس الجهد الكهربائي مع:
• L و N للدوائر 115 فولت	• أقطاب الطاقة L1 و L2 و L3
• L1 و L2 للدوائر 230 فولت.	• أقطاب الطاقة L3 و L1.
	ينبغي أن تعطي هذه الاختبارات قراءات الجهد الكهربائي للخط الكامل.



شكل 17 التحقق من الطاقة أحادية الطور

TM03 7749 4806

5. اكتشاف الأعطال وإصلاحها

5.1 قائمة تحديد الأعطال

تحذير

قبل فك غطاء صندوق التوصيل، تأكد من إيقاف إمداد الكهرباء وأنه لا يمكن تشغيله من غير قصد.



يمكن أن يكون السائل المضغوط ساخناً لدرجة حرارة وتحت ضغط عالٍ، وقبل أي فك أو تفكيك للمضخة، يجب تفريغ النظام، أو يجب غلق الصمامات الفاصلة بجانبتي المضخة.

الخطأ	السبب	الإصلاح
1. المضخة لا تعمل. لا يضيء أي من أضواء المؤشرات.	(a) مصهر واحد في التركيب انصهر. (b) قاطع الدائرة الخارجي مغلق.	استبدل المصهر. قم بتشغيل قاطع الدائرة.
2. المضخة لا تعمل. ضوء المؤشر الأخضر مضاء.	(c) حدث عطل في قاطع الدائرة لعطل التنازير الذي يعمل بالتناوب/الجهد الكهربائي. (d) قمام مفتاح فرط الحمل الحراري الداخلي للمضخة بالقطع (الوحدة القياسية فقط).	أصلح عيوب العزل وأعد ضبط القاطع. تأكد من أن درجة حرارة السائل ضمن النطاق المحدد. مع ملامس تحويل تشغيل/إيقاف خارجي: سوف تعيد المضخة تشغيل نفسها تلقائياً عندما تبرد إلى درجة الحرارة الطبيعية. مع ملامسات دفع للتشغيل/الإيقاف خارجية: يمكن إعادة تشغيل المضخة عندما تبرد إلى درجة الحرارة الطبيعية.
3. المضخة لا تعمل. ضوء المؤشر الأخضر مضاء.	(a) العضو الدوار معاق عن الحركة، لكن المضخة لم يوقفها مفتاح فرط الحمل الحراري. (b) وحدة مفتاح السرعة ليست مركبة.	أغلق إمداد الكهرباء ونظف/أصلح المضخة. قم ب إيقاف إمداد الكهرباء عند قاطع الدائرة الخارجي وركب وحدة مفتاح السرعة في الوضع الصحيح.
4. ضوء في النظام. ضوء المؤشر الأخضر مضاء.	(a) المضخة تدور باتجاه دوران خاطئ. (b) تدفق المضخة عال جداً. (c) الضغط عال جداً.	أوقف إمداد الطاقة بقاطع الدائرة الخارجي، وبإدخال أي طورين (قطبين) في صندوق التوصيلات الكهربائي للمضخة.
5. ضوء في النظام. ضوء المؤشر الأخضر مضاء.	(a) ضوء في النظام. (b) ضغط الدخول منخفض جداً.	نفس النظام. قلل أداء المضخة. قلل أداء المضخة. نفس المضخة.
6. حرارة غير كافية في بعض الأماكن في نظام التدفئة.	(a) أداء المضخة منخفض جداً. (b) ضغط الدخول منخفض جداً.	زد ضغط الدخول و/أو احرص حجم الهواء في خزان التمدد (إذا كان مركباً).
7. حرارة غير كافية في بعض الأماكن في نظام التدفئة.	(a) أداء المضخة منخفض جداً. (b) ضغط الدخول منخفض جداً.	زد من أداء المضخة، إذا أمكن، أو استبدل المضخة بمضخة يكون تدفقها أعلى.

4.3.2 المضخات ثنائية السرعات، 3 × 460 فولت و 575 فولت

يمكن تغيير إعدادات السرعة في صندوق التوصيلات إلى موضعين، وتظهر السرعة في الموضعين في الجدول أدناه (انظر أيضًا الشكل 13 في الصفحة 62).

خطوة السرعة	السرعة كنسبة مئوية (من السرعة القصوى)
1	حوالي 75 %
2	100 %

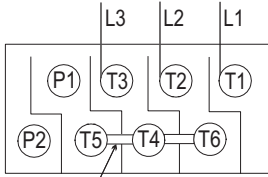
تحذير

لا تقم بأي توصيلات أبدًا في صندوق توصيل المضخة إلا بعد فصل إمداد الكهرباء.



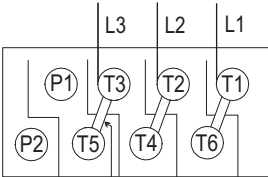
غير أداء المضخة كالاتي:

- تتغير السرعة بوضع الوائثات في أطراف التوصيل. يتم تركيب الوائثات وفقًا لـ:
- الشكل 15 للسرعة 1 - سرعة منخفضة.
- الشكل 16 للسرعة 2 - سرعة مرتفعة.



سلك الوائثات

شكل 15 السرعة 1 (سرعة منخفضة)



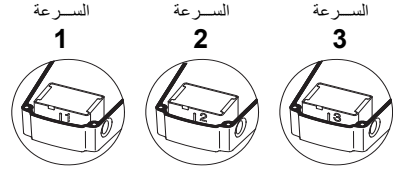
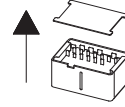
سلك الوائثات

شكل 16 السرعة 2 (سرعة مرتفعة)

غير أداء المضخة كالاتي:

- قم بفصل إمداد الكهرباء الواصل إلى المضخة عند قاطع الدائزة الرئيسي.
- ويجب أن يكون الضوء المبين الأخضر في صندوق التوصيلات الكهربائية مطفأ.
- قم بفك غطاء صندوق التوصيلات الكهربائية بإرخاء البراغي الأربعة في الغطاء.
- اسحب وحدة مفتاح السرعة، وأدخّلها مرة أخرى بحيث يكون رقم السرعة المرغوبة مرتبًا عبر النافذة في صندوق التوصيلات الكهربائية (انظر الشكل 14).

TM03 7735 4806



شكل 14 وحدة مفتاح السرعة

عند التحويل إلى أو من السرعة 1، يجب فك غطاء وحدة مفتاح السرعة وتركيبها في الناحية الأخرى للمفتاح.

ملحوظة

- قم بإعادة تركيب غطاء صندوق التوصيلات على صندوق التوصيلات وأحكام ربط البراغي الأربعة في الغطاء.
- شغل مصدر إمداد الكهرباء.
- تأكد من أن الضوء المبين الأخضر يكون مضاءً بصفة دائمة أو يومض.

يجب عدم استخدام وحدة مفتاح السرعة كمفتاح تشغيل/إيقاف أبدًا.

ملحوظة

TM03 7734 4806

TM03 7733 4806

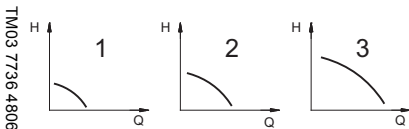
4.3 اختيار السرعة

4.3.1 المضخات ثلاثية السرعات، جميع الموديلات ما عدا 3 460 x فولت و 575 فولت

يمكن لف مفتاح السرعة في صندوق التوصيلات الكهربائية إلى 3 مواضع. وتظهر السرعة في المواضع الثلاثة في الجدول أدناه (انظر أيضًا الشكل 13).

الموضع المفتاح	المضخات أحادية الطور	المضخات ثلاثية الاطوار
1	60% تقريبًا	70% تقريبًا
2	80% تقريبًا	85% تقريبًا
3	100 %	100 %

يوفر التفسير إلى سرعات أقل خفضًا كبيرًا في استهلاك الطاقة وضوضاء أقل في النظام.



$H = \text{عمود الضغط} = Q = \text{التدفق}$

شكل 13 أداء المضخة عند إعدادات السرعة

تحذير

لا تقم بأي توصيلات أبدًا في صندوق توصيل المضخة إلا بعد فصل إمداد الكهرباء.



4.2 أفحص اتجاه دوران العمود.

ينطبق على الموديلات ثنائية السرعات 460 فولت و 575 فولت فقط

(يتم فحص اتجاه دوران المضخات ثلاثية السرعات عن طريق جدول العثور على الأعطال، الصفحة 64 والصيغة 65).

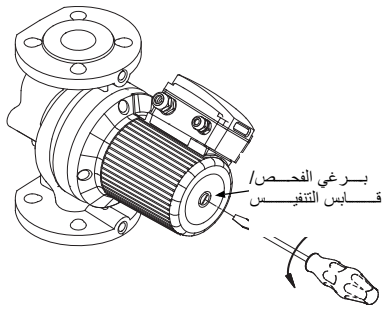
1. تأكد من أن الطاقة مفصولة.
2. قم بفك ونزع قلاب التنقيس الموجود في مركز لوحة الاسم.
3. أدخل مفتاحًا صغيرًا مسطح النصل في الفتحة الموجودة في نهاية عمود المحرك (انظر الشكل 12). أدر العمود باستخدام المفك للتأكد من دورانته بحرية.
4. قم بوضع السائل في المضخة وانظر لترى اتجاه دوران العمود. يجب أن يدور العمود في الاتجاه المعاكس لعقارب الساعة كما هو موضح على لوحة الاسم (انظر الشكل 11).
5. إذا كان عمود المضخة يدور بشكل غير صحيح، افصل الطاقة وبدل أي قطبي طاقة في صندوق التوصيل.
6. تحقق مرة أخرى من الدوران الصحيح في عكس اتجاه عقارب الساعة. عند دورانته بشكل صحيح، أعد وضع قلاب التنقيس.

TM03 7750 1512



شكل 11 قلاب التنقيس واتجاه الدوران

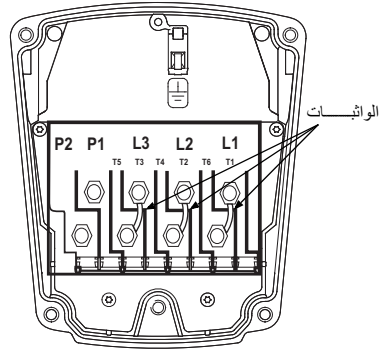
TM03 7277 4706



شكل 12 نزع قلاب التنقيس

3.4.3 صندوق توصيل UPS 3 x 460 فولت و 575 فولت

TM03 7739 4806



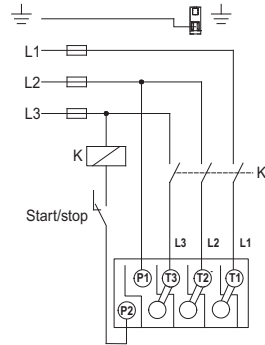
شكل 8 صندوق توصيل UPS 3 x 460 فولت و 575 فولت

تأتي جميع مضخات UPS بصناديق توصيل ثلاثية الأطوار $460 \times$ فولت و 575 فولت (الشكل 8) مزودة بصندوق توصيل خاص ثنائي السرعة. تتغير السرعة بتوجيه الواثبات كما هو موضح في الصفحة. جميع المضخات مجهزة بمفتاح فرط حمل حراري داخلي (أطراف التوصيل P1 و P2) ليتم توصيله بالموصل الخارجي.

الرسوم التخطيطية لتوصيلات الأسلاك

يبين الشكل 9 التوصيلات الكهربائية عند استخدام ملامس تحويل خارجي (دائرة أمان) لمنصة زر الدفع خاص بالتشغيل/الإيقاف.

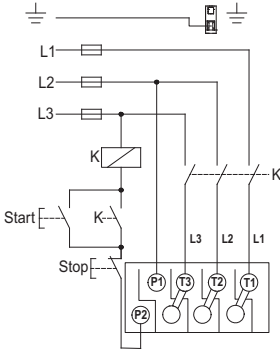
TM03 7738 5106



شكل 9 ملامس تحويل خارجي
ملاصات مساعدة مقننة لإمداد الجهد الكهربائي.

يبين الشكل 10 التوصيلات الكهربائية عند استخدام ملامس دافع خارجي (ملاصات لحظية) لمنصة زر الدفع خاص بالتشغيل/الإيقاف.

TM03 7737 4806



شكل 10 ملاصات الدفع الخارجية

4. تشغيل المضخة

4.1 نفّس نظام الأنابيب.

بعد تركيب المضخة وإجراء التوصيلات الكهربائية، يجب تنفيس نظام الأنابيب.

لا تقم أبدًا بتشغيل المضخة على الجاف -
يجب ملاء النظام أولاً بالسائل وتنفيسه.

تحذير

لا تنفيس نظام الأنابيب خلال المضخة.

ملحوظة

بدلاً عن ذلك، اتبع هذه الخطوات:

1. قم بملاء النظام وضغطه بالسائل ونفّس جميع الهواء المحبوس في الأنابيب بطرق مناسبة.
2. في حالة استخدام أي صمامات عزل، تأكد من أنها مفتوحة.

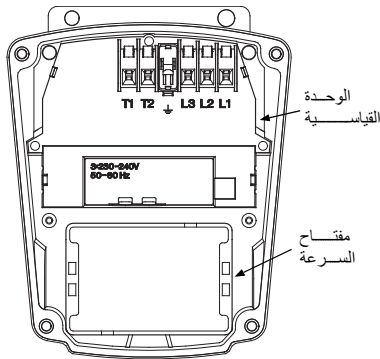
تحذير

في حالة الحاجة إلى إرخاء مسام التنفيس، ينبغي توخي الحذر للتأكد من عدم تسبب السائل الساخن الحارق المنفلت في إحداث إصابة شخصية أو إتلاف للمكونات (انظر الشكل 12).



3.4.2 صندوق توصيل UPS 3×208-230 فولت

TM03 7742 4806



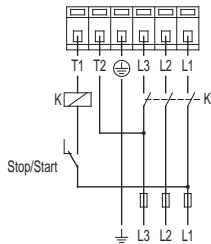
شكل 5 صندوق توصيل UPS 3×208-230 فولت

تأتي جميع مضخات UPS ثلاثية الأطوار 230-208× فولت مزودة بوحدة قياسية ومفتاح سرعات كما يظهر في الشكل 5. جميع المضخات مجهزة بمفتاح فرط حمل حراري داخلي (يتسم توصيل أطراف التوصيل T1 وT2 بالموصل الخارجي) لحماية المضخة في السرعات الثلاثة جميعًا.

الرسوم التخطيطية لتوصيلات الأسلاك

يبين الشكل 6 التوصيلات الكهربائية عند استخدام ملامس تحويل خارجي (دائرة أمان) لمنصة زر الدفع الخاص بالتشغيل/الإيقاف.

TM03 7892 5106

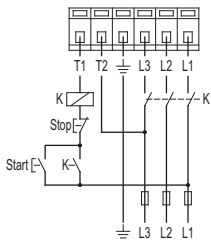


شكل 6 مع ملامس تحويل خارجي

ملاصمات مساعدة مقننة لإمداد الجهد الكهربائي.

يبين الشكل 7 التوصيلات الكهربائية عند استخدام ملامس دافع خارجي (ملاصمات لحظية) لمنصة زر الدفع الخاص بالتشغيل/الإيقاف.

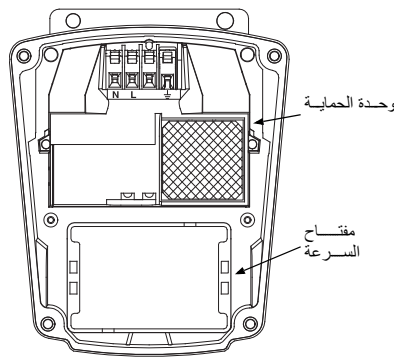
TM03 7740 4806



شكل 7 ملاصمات الدفع الخارجية

3.4.1 صندوق التوصيلات 1 × 115 UPS فولت و 1 × 230 فولت

TM03 7744 4806



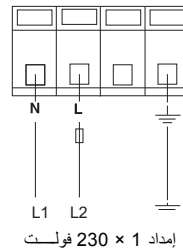
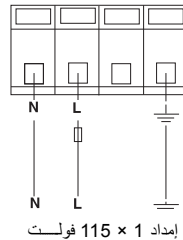
شكل 3 صندوق التوصيلات 1 × 115 UPS فولت و 1 × 230 فولت

تأتي جميع مضخات UPS أحادية الطور مزودة بوحدة حماية ومفتاح سرعات كما يظهر في الشكل 3. جميع المضخات تكون مجهزة بحماية مدمجة ذات إعادة ضبط أوتوماتيكية وضد فرط الحمل الحراري. المضخة محمية في السرعات الثلاث جميعًا.

الرسوم التخطيطية لتوصيلات الأسلاك

يبين الشكل 4 التوصيلات الكهربائية لمضخة أحادية الطور مزودة بوحدة حماية.

TM03 7743 4806



شكل 4 إمداد 1 × 115 فولت و 1 × 230 فولت

قم بتوفير إمكانية الفصل الكهربائي وحماية التيار وفقًا لقواعد الكهرباء المحلية.

ملحوظة

K = ملامس خارجي معدل الحجم ليناسب تيار المضخة FL و LR.

3.3 قم بتوصيل المضخة

قم بتثبيت المضخة في نظام الأنابيب.

توصي جروندفوس بتثبيت مقاييس للضغط في منفذ الدخول وحوااف أو أنابيب التصريف للتحقق من أداء المضخة والنظام.

3.4 التوصيل الكهربائي

ينبغي أن يقوم بالتوصيلات الكهربائية والعزل الكهربائي فني كهرباء مؤهل بشكل يتوافق مع الإصدار الأخير لميثاق القواعد الكهربائية الوطنية الأحدث والقواعد واللوائح المحلية.

تحذير

لا تقم بأي توصيلات أبداً في صندوق توصيل المضخة إلا بعد فصل إمداد الكهرباء.



يجب تاريض المضخة.

يجب توصيل المضخة بمفتاح مصدر قدرة خارجي.

جهد وتردد التشغيل محددان بلوحة اسم موديل المضخة. تأكد من أن المحرك مناسب لمصدر الإمداد بالكهرباء الذي يتم تركيبه معه.

ينبغي تاريض المضخة للحماية من التلامس المباشر ويمكن استخدام قاطع دائرة عطل التاريض كحماية إضافية.

مضخة متعددة السرعات (أحادية الطور)

جميع المضخات أحادية الطور تكون مجهزة بحماية مدمجة ذات إعادة ضبط أوتوماتيكية وضد فرط الحمل الحراري. المضخة محمية في السرعات الثلاث جميعاً.

المضخة متعددة السرعات (ثلاثية الأطوار)

يجب توصيل المضخة بمصدر إمداد كهربائي عن طريق موصل خارجي. يجب أن يكون الموصل متصلًا بأطراف التوصيل لمفتاح فرد الحمل الحراري المدمج T1 و T2 (3 × 208-230 فولت) أو P1 و P2 (3 × 460 فولت) و 575 فولت) لحماية المضخة من فرط الحمل في السرعات الثلاثة جميعاً.

أو: إذا كانت المضخة محمية عن طريق بادئ للمحرك، يجب أن يتم ضبط البدائ على استهلاك التيار لسرعة المضخة المختارة. يجب تغيير إعدادات بادئ المحرك كل مرة يتم فيها تغيير سرعة المضخة. واستهلاك التيار عند السرعات المنفردة المذكور بلوحة اسم موديل المضخة.

تبين الأشكال 4 و 6 و 7 و 9 و 10 الموجودة في الصفحة التالية التوصيلات الممكنة.

1. انزع البراغي سداسية الرؤوس الأربعة التي تثبت رأس المضخة على هيكل المضخة.
2. ارفع رأس المضخة بحرص وأدناها بحيث يكون صندوق التوصيلات في الوضع المرغوب. لا تضع صندوق التوصيلات الكهربائية تحت المضخة. تأكد من أن الحلقة الدائرية موضوعة جيداً في هيكل المضخة.
3. أعد وضع رأس المضخة على هيكل المضخة.
4. أحكم ريب البراغي سداسية الرأس بشكل متساوي. عزم الدوران:
mm: 15 8 قدم رطل
mm: 25 10 قدم رطل
5. تحقق لتأكد من أن العضو الدوار يدور بحرية. افعل ذلك عن طريق نزع سداة التنفيس في وسط لوحة اسم موديل المضخة. أدخل مفكاً مسطح النصل متوسط الحجم في الفتحة الموجودة بالطرف الظاهر للعمود. قم بإدارة العمود برفق. إذا لم يدور بسهولة، كرر الخطوات من 1 إلى 4 أعلاه.
6. يمكن تغيير وضع لوحة اسم الموديل عن طريق فك الحافة الخارجية للوحة عند القاطع مفك. أدر لوحة الاسم إلى الموضع المطلوب وادفعها في مكانها.
7. ارجع إلى الصفحات 70 و 71 للاطلاع على تعليمات إضافية.

3.2 الاعتبارات الخاصة بالأنابيب

قم بتنظيف وغسل جميع الأسواخ والرواسب من النظام قبل محاولة تركيب المضخة.

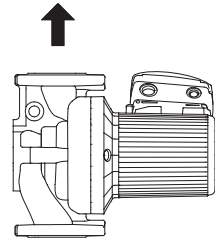
الموضع في خط الأنابيب

ينبغي ألا تقع المضخة أبداً عند أسفل نقطة في نظام الأنابيب، حيث تتجمع الأتربة والرواسب. وينبغي أيضاً عدم وضعها عند أعلى نقطة من نظام الأنابيب، حيث يتجمع الهواء.

أوضاع التركيب

تشير الأسهم على جانبي المضخة إلى اتجاه تدفق الماء. على الرغم من أن UPS قد تكون مركبة في نظام أنابيب رأسي أو أفقي، يجب أن يكون عمود المحرك في الوضع الأفقي دائماً كما يظهر في الشكلين 1 و 2.

TM03 7290 4706



شكل 2 اتجاه تدفق الماء خلال المضخة

يجب حماية المضخات المركبة بالخارج عن طريق غطاء جيد التهوية ومحكم ضد الماء لمنع الرطوبة والتآكل.

ملاحظة

تحذير

ضع المضخة في مكان تركيبها بحيث لا يمكن أن يلمس أي شخص الأسطح الساخنة لها دون قصد.



3. إجراءات التركيب

تحذير

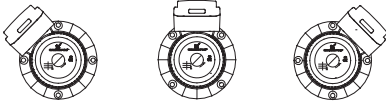
لا تقم بأي توصيلات أبدًا في صندوق توصيل المضخة إلا بعد فصل إمداد الكهرباء.



3.1 التجهيز الكهربائي

موقع صندوق التوصيل

في قاع العضو الساكن، أقرب ما يكون إلى هيكل المضخة، هناك 8 فتحات تصريف للسماح بتسريب الماء المتكثف. يجب ألا تسد فتحات التصريف. ويجب أن تكون وجهة فتحتي التصريف لأسفل. ولذلك يجب أن يكون صندوق التوصيل موجهًا لأعلى في واحد من المواضع الظاهرة في الشكل 1. تطبق أوضاع صندوق التوصيل التالية سواء كانت الأذنيب مركبة رأسياً أو أفقياً.



شكل 1 مواضع صندوق التوصيلات الكهربائيّة الممكنة

إدارة صندوق التوصيلات الكهربائيّة

لتغيير وضع صندوق التوصيل، اتبع هذه الخطوات:

تحذير

إذا كانت المضخة مركبة بالفعل في النظام، يجب تصريف النظام أو غلق صمامات العزل على جانبي المضخة قبل نزع البراغي سداسية الرؤوس حيث إن المسائل المضخوخ قد يكون ساخنًا لدرجة حارقة وأو تحت الضغط. لا تشغل المضخة حتى امتلاء النظام بالمسائل وتفتيسه.



ضغط الدخول الأدنى للمضخة (أثناء التشغيل)

عند درجات حرارة المسائل هذه						موديل UPS
230 °F/110 °C 194 °F/90 °C 167 °F/75 °C						
hf	[psi]	hf	[psi]	hf	[psi]	
48,5	21,0	5,1	2,2	1,6	0,7	32-40/4
55,2	23,9	11,8	5,1	1,6	0,7	32-80/2
78,8	34,1	37,0	16,0	26,8	11,6	32-160/2
53,6	23,2	10,2	4,4	1,6	0,7	40-40/4
41,8	18,1	3,5	1,5	1,6	0,7	40-80/4
67,0	29,0	25,2	10,9	15,0	6,5	40-80/2
63,8	27,6	21,7	9,4	11,8	5,1	40-160/2
78,8	34,1	37,0	16,0	26,8	11,6	40-240/2
50,4	21,8	6,7	2,9	1,6	0,7	50-40/4
53,6	23,2	10,2	4,4	1,6	0,7	50-80/4
61,9	26,8	20,1	8,7	10,2	4,4	50-80/2
78,8	34,1	37,0	16,0	26,8	11,6	50-160/2
75,3	32,6	33,5	14,5	23,6	10,2	50-240/2
61,9	26,8	20,1	8,7	10,2	4,4	53-55/57
78,8	34,1	37	16	26,8	11,6	75-69
78,8	34,1	37,0	16,0	26,8	11,6	80-40/4
85,5	37,0	43,7	18,9	33,5	14,5	80-80/4
100,5	43,5	60,3	26,1	50,4	21,8	80-160/2
115,5	50,0	73,7	31,9	63,8	27,6	100-40/4

نطاق درجة حرارة المسائل

بشكل متواصل:

14 درجة فهرنهايت (-10 درجات مئوية) حتى 230 درجة فهرنهايت (110 درجات مئوية).

بشكل متقطع:

> 284 درجة فهرنهايت (140 درجة مئوية) لفترات قصيرة من الوقت.

الماء الساخن المنزلي:
< 140 °F (60 °C).

2. قائمة فحص ما قبل التركيب

2.1 قم بالتأكد من حصولك على المضخة الصحيحة

- اقرأ لوحة اسم موديل المضخة للتأكد من كونها المضخة التي طلبتها.
- قارن بيانات لوحة اسم موديل المضخة ومنحنى الأداء الخاص بها (من حيث قيم عمود الضغط، (l/s) مع الموقع الذي تخطط لتثبيتها فيه.
- هل ستقوم المضخة بما تتوقع منها فعلاً؟

2.2 تحقق من حالة المضخة

عبوة الشحن التي أتت مضختك بها مصممة خصيصاً حول جسم مضختك أثناء الإنتاج لمنع التلف.

على سبيل الاحتياط، ينبغي أن تظل المضخة في العبوة حتى تكون جاهزاً للتثبيت. عند هذه النقطة، افحص المضخة بحثاً عن أي تلف ربما يكون قد حدث أثناء الشحن.

افحص أي أجزاء أخرى خاصة بالشحنة أيضاً بحثاً عن أي تلف ظاهر.

2.3 تأكد من المتطلبات الكهربائية

ينبغي أن يتم التأكد من مصدر إمداد الكهرباء للتأكد من توافق الجهد الكهربائي والطور والتردد الخاص بمحرك المضخة. يمكن العثور على جهد التشغيل السليم والمعلومات الكهربائية الأخرى على لوحة اسم المضخة.

هذه المحركات مصممة للتشغيل على نسبة + / - 10 % من الجهد الكهربائي المقتن المدون على لوحة الاسم.

يمكن العثور على مخططات توصيل الأسلاك داخل غطاء صندوق التوصيلات ولأخفاً في تعليمات التركيب والتشغيل هذه. إذا كانت تفاوتات الجهد الكهربائي أكبر من + / - 10 %، فلا تقم بتشغيل المضخة.

2.4 متطلبات السائل المضخوخ

تحذير المضخة UPS مخصصة للاستخدام مع الماء فقط.

يمكن استخدام المضخة لتدوير:

- ماء الشرب الساخن
- الماء للتسخين المائي
- خليط الماء/الجليكول التي تصل نسبتهما إلى 50/50

• ماء التبريد

في أنظمة الماء الساخن المنزلية، يُنصح باستخدام المضخات البرونزية (موديل UPS) فقط للماء الذي تكون درجة عسره أقل من 14 حبيبة لكل جالون من العسر. وللماء الذي تكون درجة عسره أكثر من ذلك، يُنصح باستخدام مضخة TP المقرونة من جروندفوس مباشرة.

إذا كانت المضخة مركبة في نظام تدفئة، يجب أن يفى الماء بمتطلبات المعايير المقبولة لنوعية الماء في أنظمة التدفئة.

بالنسبة لخليط الماء/الجليكول، من أجل منع الجليكول من التخلل، ينبغي تجنب درجات الحرارة التي تزيد عن المقننة للسائل ويجب تقليل الوقت المستغرق في درجات الحرارة العالية بأقصى قدر ممكن.

من المهم أيضاً أن يتم تنظيف أو غسل النظام قبل تركيب مزيج الجليكول.

لتجنب المشكلات المتعلقة بالتآكل أو الترسب، ينبغي فحص سوائيل الجليكول والحفاظ عليها بانتظام. وإذا كان الجليكول المُورَد يحتاج إلى مزيد من التخفيف، اتبع متطلبات مورد الجليكول.

تحذير

يمكن للجليكول من الاسم التجاري DEXCOOL® أن يضر بالمضخة.



هي علامة تجارية مسجلة لصالح DEXCOOL® General Motors Corporation، ويستخدم بترخيص من Texaco Lubricants NA.

يتم تزييق المضخة تيريدها بالسائل الذي يتم ضخه. لذلك يجب أن يتاح للسائل المضخوخ دائماً الفرصة لأن يدور خلال المضخة، متسبب الفترات الطويلة التي تمر دون دوران التآكل الميكروني في الحوامل وقرط حرارة المحرك. يجب أن يفى السائل المضخوخ بالمتطلبات التالية أيضاً:

ترجمة النسخة الإنجليزية الأصل.

المحتويات

1. مقدمة

1.1 تحذير خاص بالسلامة

1.1.1 اقرأ هذا الكتيب

هذا الكتيب مصمم لمساعد فني تركيب معتمداً في عملية تركيب مضخات جرونندفوس UPS ويده تشغيلها واكتشاف المشكلات وحلها. ينبغي ترك هذا الكتيب مع مالك المضخة كمرجع مستقبلي وللاطلاع على المعلومات بخصوص تشغيلها. في حالة تعرض المالك لأي مشكلات فيما يخص المضخة، ينبغي الاتصال بـ متخصص معتمد.

1.1.2 الأعمال الكهربائية

تحذير

ينبغي أن يقوم بأداء كل الأعمال الكهربائية فني كهرباء مؤهل بشكل يتوافق مع الإصدار الأخير لميثاق القواعد الكهربائية الوطنية الأحدث والقواعد واللوائح المحلية.



تحذير

يمكن أن يتسبب المحرك التالف أو الأسلاك التالفة في حدوث صدمة كهربائية قد تكون مميتة سواء تم لمس مصدر الصدمة مباشرة أو وصلت من خلال مياه راكدة. ولهذا السبب، يلزم إجراء تآريض جيد للمضخة وطرف تآريض مصدر الطاقة من أجل التركيب والتشغيل الآمنين.



في جميع التركيبات، ينبغي توصيل أنابيب المياه المعدنية السلي بتآريض مصدر الطاقة كما هو موضح في البند 250-80 من ميثاق القواعد الكهربائية الوطنية.

صفحة

72	1. مقدمة
72	1.1 تحذير خاص بالسلامة
71	2. قائمة فحص ما قبل التركيب
71	2.1 قم بالتأكد من حصولك على المضخة الصحيحة
71	2.2 تحقق من حالة المضخة
71	2.3 تأكد من المتطلبات الكهربائية
71	2.4 متطلبات السائل المضخوخ
70	3. إجراءات التركيب
70	3.1 التجهيز الكهربائي
69	3.2 الاعتبارات الخاصة بالأنابيب
69	3.3 قم بتوصيل المضخة
69	3.4 التوصيل الكهربائي
67	4. تشغيل المضخة
67	4.1 نفّس نظام الأنابيب.
66	4.2 افحص اتجاه دوران العمود.
66	4.3 اختيار السرعة
64	5. اكتشاف الأعطال وإصلاحها
64	5.1 قائمة تحديد الأعطال
63	5.2 الفحوصات المبدئية
62	5.3 قياس التيار
62	5.4 مقاومة العزل (القطب إلى الأرض)
62	5.5 مقاومة اللفائف (خط إلى خط)
60	5.6 جدول مقاومة اللفائف
58	6. استبدال المكونات
58	6.1 نزع رأس المضخة
57	6.2 تركيب رأس المضخة
57	6.3 استبدال صندوق التوصيل أو المكثف
56	7. التخلص من المنتج

تحذير

قبل التركيب، اقرأ تعليمات التركيب والتشغيل هذه. يجب أن يتم الالتزام باللوائح المحلية والقوانين المقبولة للممارسة الجيدة في عملية التركيب والتشغيل.



ينبغي ترك هذا الكتيب مع مالك المضخة كمرجع مستقبلي وللاطلاع على المعلومات بخصوص تشغيلها.

GRUNDFOS Kansas City

17100 West 118th Terrace
Olathe, Kansas 66061
Phone: (913) 227-3400
Fax: (913) 227-3500

www.grundfos.us

United Arab Emirates

GRUNDFOS Gulf Distribution
P.O.Box 16768
Jebel Ali Free Zone
Dubai
Phone: +971-4-8815-166
Fax: +971-4-8815-136

www.grundfos.uae

GRUNDFOS Canada

2941 Brighton Road
Oakville, Ontario L6H 6C9 Canada
Phone: +1-905 829 9533
Telefax: +1-905 829 9512

www.grundfos.ca

GRUNDFOS México

Boulevard TLC No. 15
Parque Industrial Stiva Aeropuerto
C.P. 66600 Apodaca, N.L. México
Phone: 011-52-81-8144 4000
Fax: 011-52-81-8144 4010

www.grundfos.mx

L-UPS-TL-001

96459998 0317

ECM: 1205824

The name Grundfos, the Grundfos logo, and **be think innovate** are registered trademarks owned by Grundfos Holding AS or Grundfos AS, Denmark. All rights reserved worldwide. © Copyright Grundfos Holding AS