



325 COMMERCE DRIVE
 MT VERNON, OH 43050
 800-253-8236

SPECIFICATION DATA SHEET

DATE: 5-6-11
 PREPARED BY: EB

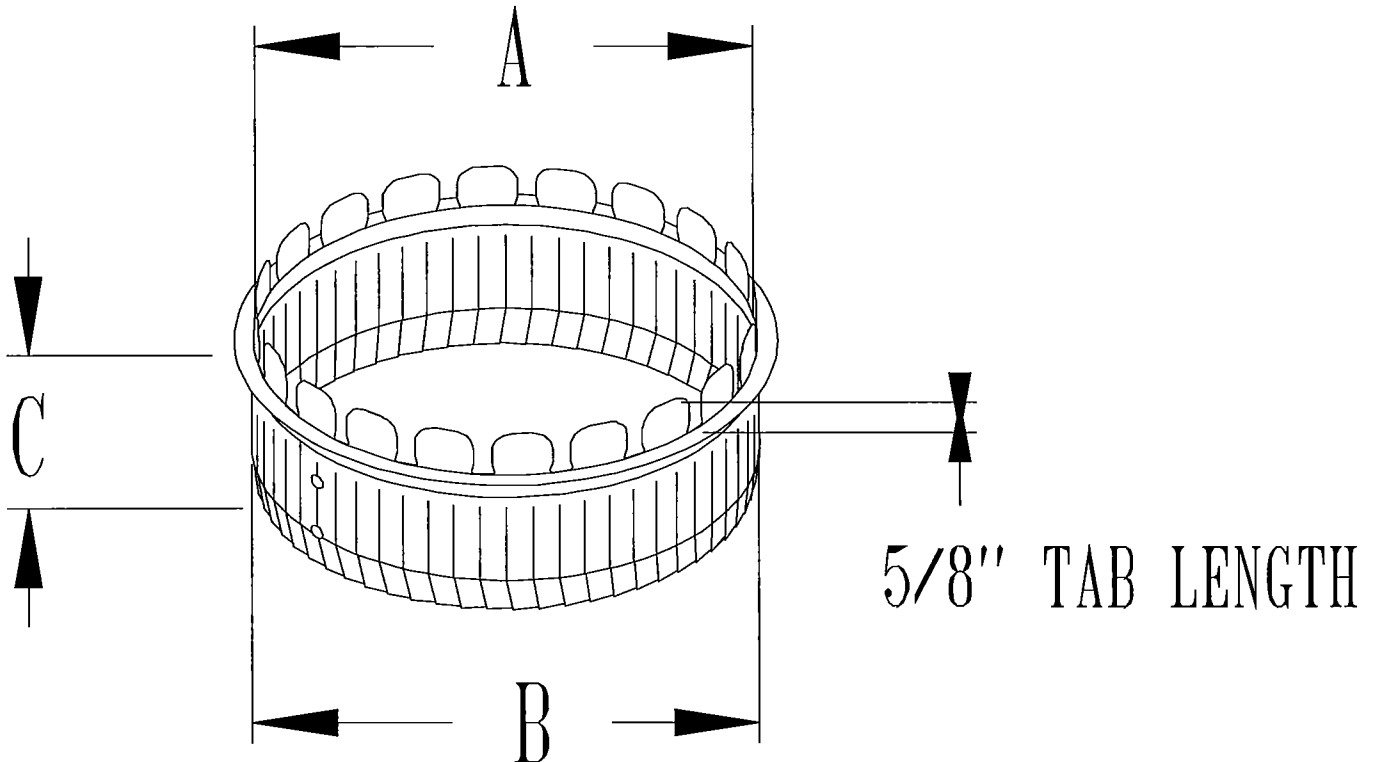
MODEL NO. 012

STEEL STARTING COLLAR W/CRIMP

STANDARD MODEL

DIMENSIONS

SIZE	A	B	C
3"	3"	3"	2 1/8"
4"	4"	4"	2 1/8"
5"	5"	5"	2 1/8"
6"	6"	6"	2 1/8"
7"	7"	7"	2 1/8"
8"	8"	8"	2 1/8"
9"	9"	9"	2 1/8"
10"	10"	10"	2 1/8"
12"	12"	12"	2 1/8"
14"	14"	14"	2 1/8"
16"	16"	16"	2 1/8"
18"	18"	18"	2 1/8"
20"	20"	20"	2 1/8"



MATERIAL SPECIFICATIONS

HOT DIPPED GALVANIZED STEEL.
 PER ASTM A 653 CSB.

3"-8" STD GA
 9"-20" 28GA
 OTHER GAUGES AVAILABLE.

ASSEMBLED WITH 1/8" ZINC COATED RIVETS.

OPTIONS

JOB: _____
 LOCATION: _____
 CONTRACTOR: _____
 ENGINEER: _____
 NOTES: _____