



325 COMMERCE DRIVE
 MT VERNON, OH 43050
 800-253-8236

SPECIFICATION DATA SHEET

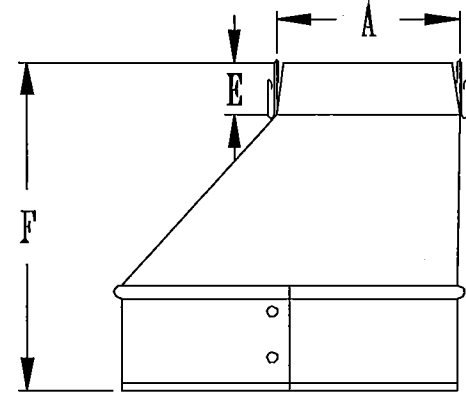
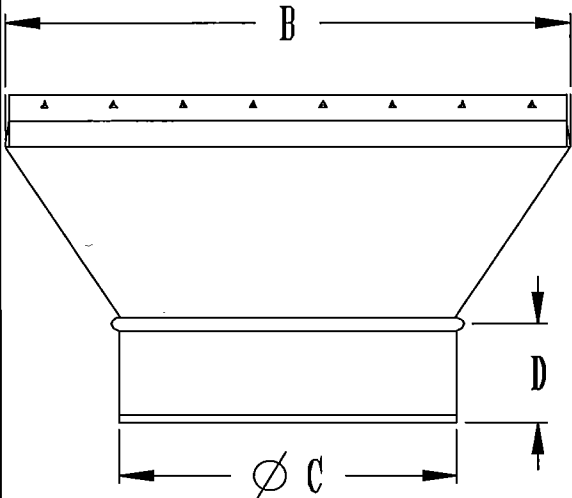
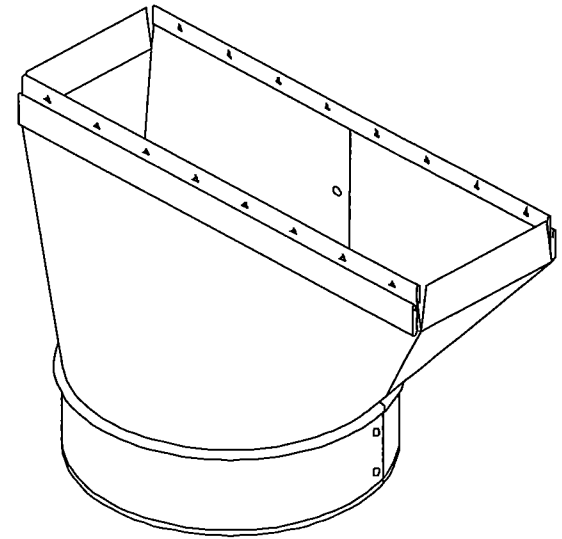
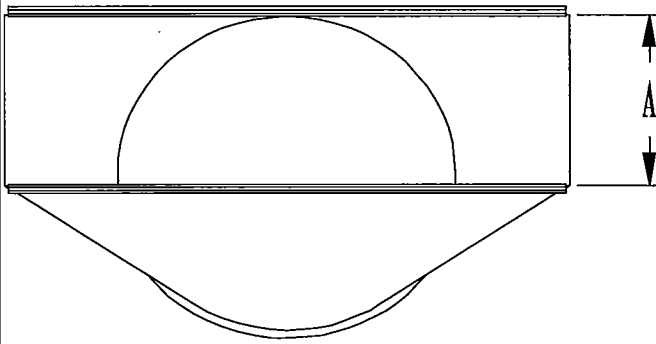
DATE: 7-29-13
 PREPARED BY: RL

MODEL NO. 572 STRAIGHT STACK BOOT

STANDARD MODEL

DIMENSIONS

SIZE						
A	x	B	x	C	D	E
2 1/4"	x	10"	x	5"	2"-HEM	1"
2 1/4"	x	10"	x	6"	2"-HEM	1"
2 1/4"	x	12"	x	6"	2"-HEM	1"
2 1/4"	x	12"	x	7"	2"-HEM	1"
2 1/4"	x	14"	x	6"	2"-HEM	1"
2 1/4"	x	14"	x	7"	2"-HEM	1"
3 1/4"	x	8"	x	4"	2 1/4"	1"
3 1/4"	x	8"	x	5"	2"-HEM	1"
3 1/4"	x	8"	x	6"	2"-HEM	1"
3 1/4"	x	10"	x	3"	2 1/4"	1"
3 1/4"	x	10"	x	4"	2 1/4"	1"
3 1/4"	x	10"	x	5"	2"-HEM	1"
3 1/4"	x	10"	x	6"	2"-HEM	1"
3 1/4"	x	10"	x	7"	2"-HEM	1"
3 1/4"	x	10"	x	8"	2"-HEM	1"
3 1/4"	x	10"	x	8"	2"-HEM	4"
3 3/4"	x	10"	x	8"	2"-HEM	1"
3 1/4"	x	12"	x	4"	2 1/4"	1"
3 1/4"	x	12"	x	6"	2"-HEM	1"
3 1/4"	x	12"	x	7"	2"-HEM	1"
3 1/4"	x	12"	x	7"	2"-HEM	3 1/2"
3 1/4"	x	12"	x	8"	2"-HEM	1"
3 1/4"	x	14"	x	6"	2"-HEM	1"
3 1/4"	x	14"	x	7"	2"-HEM	1"
3 1/4"	x	14"	x	7"	2"-HEM	4"
3 1/4"	x	14"	x	8"	2"-HEM	1"



MATERIAL SPECIFICATIONS

HOT DIPPED GALVANIZED STEEL.
 PER ASTM A 653 CSB.
 ASSEMBLED WITH 1/8" ZINC COATED RIVETS.
 BODIES & COLLAR = STANDARD GAUGE
 BOOT CLIPS ARE STANDARD GAUGE

OPTIONS

JOB: _____
 LOCATION: _____
 CONTRACTOR: _____
 ENGINEER: _____
 NOTES: _____