



325 COMMERCE DRIVE  
 MT VERNON, OH 43050  
 800-253-8236

## SPECIFICATION DATA SHEET

DATE: 10-9-14  
 PREPARED BY: RL

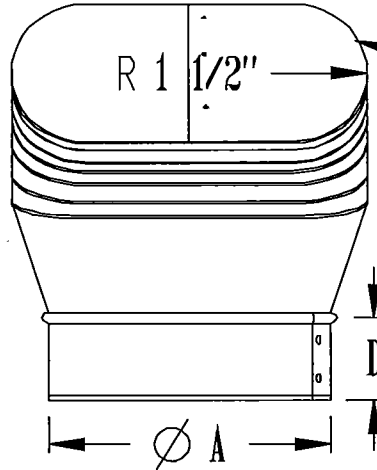
## MODEL NO. 585

ROUND TO OVAL 90° BOOT - NO CRIMP

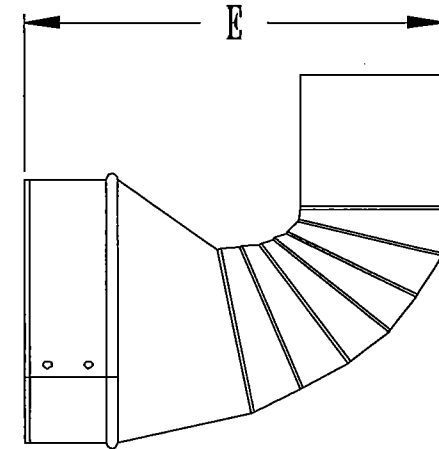
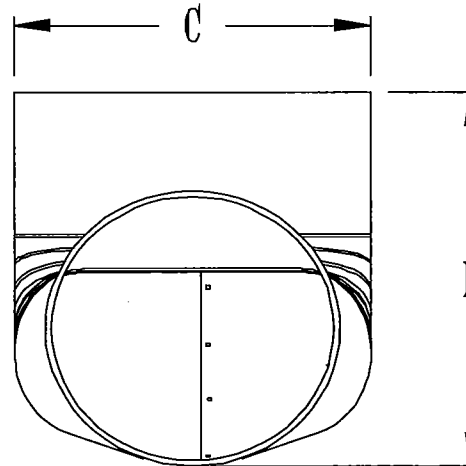
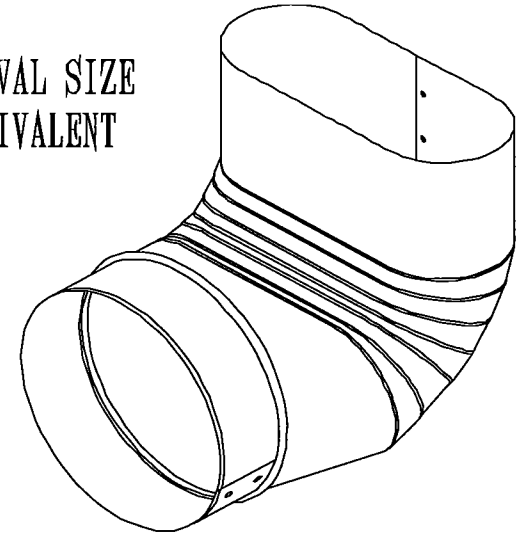
STANDARD MODEL

### DIMENSIONS

SIZE	A	B	C	D	E	F
5"	5"	5"	6 1/8"	2"-HEM	8 3/8"	7 3/8"
6"	6"	6"	7 3/8"	2"-HEM	9"	8 1/2"
7"	7"	7"	9 1/4"	2"-HEM	10 1/8"	10 1/4"
8"	8"	8"	10 3/4"	2"-HEM	10 1/8"	10 1/4"



B: OVAL SIZE  
 EQUIVALENT



### MATERIAL SPECIFICATIONS

HOT DIPPED GALVANIZED STEEL.  
 PER ASTM A 653 CSB.

BODY & COLLARS = STANDARD GAUGE

ASSEMBLED WITH 1/8" ZINC COATED RIVETS.

### OPTIONS

JOB: \_\_\_\_\_  
 LOCATION: \_\_\_\_\_  
 CONTRACTOR: \_\_\_\_\_  
 ENGINEER: \_\_\_\_\_  
 NOTES: \_\_\_\_\_