



325 COMMERCE DRIVE
 MT VERNON, OH 43050
 800-253-8236

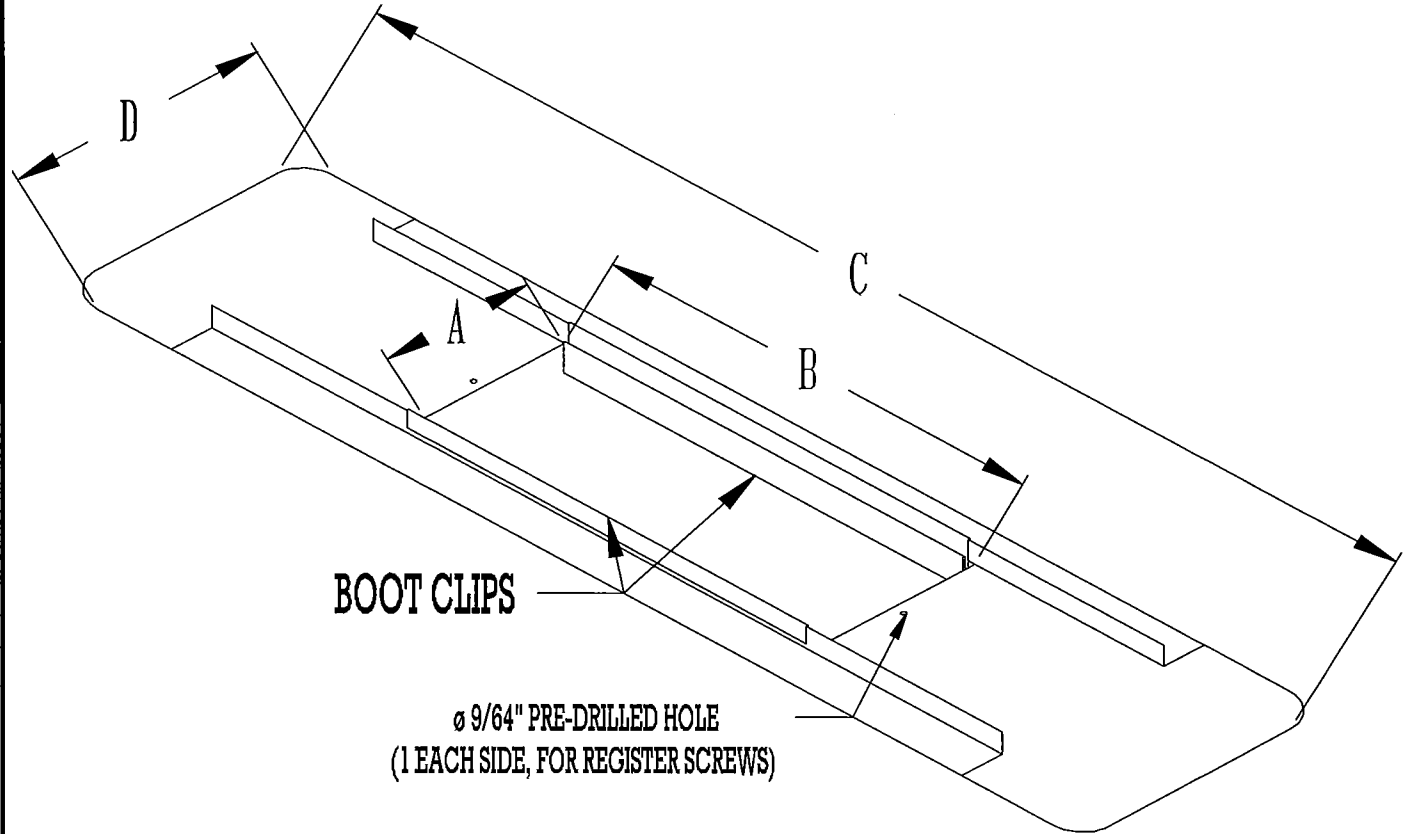
SPECIFICATION DATA SHEET

DATE: 12-13-12
 PREPARED BY: RL

MODEL NO. 929
RAIL FOR BOOTS
 STANDARD MODEL

DIMENSIONS

SIZE	A	B	C	D	BOOT CLIP SIZE
4x6x25	4"	6 1/8"	25"	6 1/4"	6"
4x8x25	4"	8 1/8"	25"	6 1/4"	8"
4x10x17	4"	10 1/8"	17"	6 1/4"	10"
4x10x26	4"	10 1/8"	26"	6 1/4"	10"
4x12x17	4"	12 1/8"	17"	6 1/4"	12"
4x12x25	4"	12 1/8"	25"	6 1/4"	12"
4x12x26	4"	12 1/8"	26"	6 1/4"	12"
4x14x17	4"	14 1/8"	17"	6 1/4"	14"
4x14x25	4"	14 1/8"	25"	6 1/4"	14"
4x14x26	4"	14 1/8"	26"	6 1/4"	14"
6x6x25	6"	6 1/8"	25"	8 1/4"	6"
6x8x25	6"	8 1/8"	25"	8 1/4"	8"
6x10x17	6"	10 1/8"	17"	8 1/4"	10"
6x10x25	6"	10 1/8"	25"	8 1/4"	10"
6x10x26	6"	10 1/8"	26"	8 1/4"	10"
6x12x17	6"	12 1/8"	17"	8 1/4"	12"
6x12x25	6"	12 1/8"	25"	8 1/4"	12"
6x12x26	6"	12 1/8"	26"	8 1/4"	12"
6x14x25	6"	14 1/8"	25"	8 1/4"	14"
6x14x17	6"	14 1/8"	17"	8 1/4"	14"
6x14x26	6"	14 1/8"	26"	8 1/4"	14"
8x8x25	8"	8 1/8"	25"	10 1/4"	8"
8x8x25	8"	8 1/8"	25"	10 1/4"	8"
8x10x25	8"	10 1/8"	25"	10 1/4"	10"
8x12x25	8"	12 1/8"	25"	10 1/4"	12"
8x14x25	8"	14 1/8"	25"	10 1/4"	14"



MATERIAL SPECIFICATIONS

HOT DIPPED GALVANIZED STEEL.
 PER ASTM A 653 CSB.
 MADE WITH 26 GAUGE
 LIGHTER GAUGES AVAILABLE.
 BOOT CLIPS ARE STD GAUGE

OPTIONS

4X10X25 IS DIE STAMPED
 ALSO AVAILABLE WITH EXTRA HOLES

JOB: _____
 LOCATION: _____
 CONTRACTOR: _____
 ENGINEER: _____
 NOTES: _____