



325 COMMERCE DRIVE
 MT VERNON, OH 43050
 800-253-8236

SPECIFICATION DATA SHEET

DATE: 6-17-13
 PREPARED BY: RL

MODEL NO. 076
COLD AIR BOOT - SIDE LOAD

STANDARD MODEL

DIMENSIONS

SIZE = A x B - C x D		PLENUM SIDE		DUCT SIDE		FILTER SIZE		
A	B	C	D	E	F	G	H	I
14"	x 20"	20"	x 8"	6"	4"	15"	21"	14X20X1
14"	x 20"	20"	x 10"	6"	4"	15"	21"	14X20X1
14"	x 24"	24"	x 10"	6"	4"	15"	25"	14X24X1
16"	x 20"	20"	x 10"	6"	4"	17"	21"	16X20X1
16"	x 20"	20"	x 8"	6"	4"	17"	21"	16X20X1
16"	x 24"	24"	x 10"	6"	4"	17"	25"	16X24X1
16"	x 24"	24"	x 8"	6"	4"	17"	25"	16X24X1
16"	x 24"	24"	x 12"	6"	4"	17"	25"	16X24X1
16"	x 24"	24"	x 16"	6"	4"	17"	25"	16X24X1
16"	x 25"	25"	x 10"	6"	4"	17"	26"	16X25X1
16"	x 25"	25"	x 12"	6"	4"	17"	26"	16X25X1
20"	x 24"	24"	x 12"	6"	4"	21"	25"	20X24X1
20"	x 24"	24"	x 8"	6"	4"	21"	25"	20X24X1
20"	x 24"	24"	x 10"	6"	4"	21"	25"	20X24X1
20"	x 24"	24"	x 14"	6"	4"	21"	25"	20X24X1
20"	x 25"	24"	x 16"	6"	4"	21"	26"	20X25X1
20"	x 25"	25"	x 10"	6"	4"	21"	26"	20X25X1

MATERIAL SPECIFICATIONS

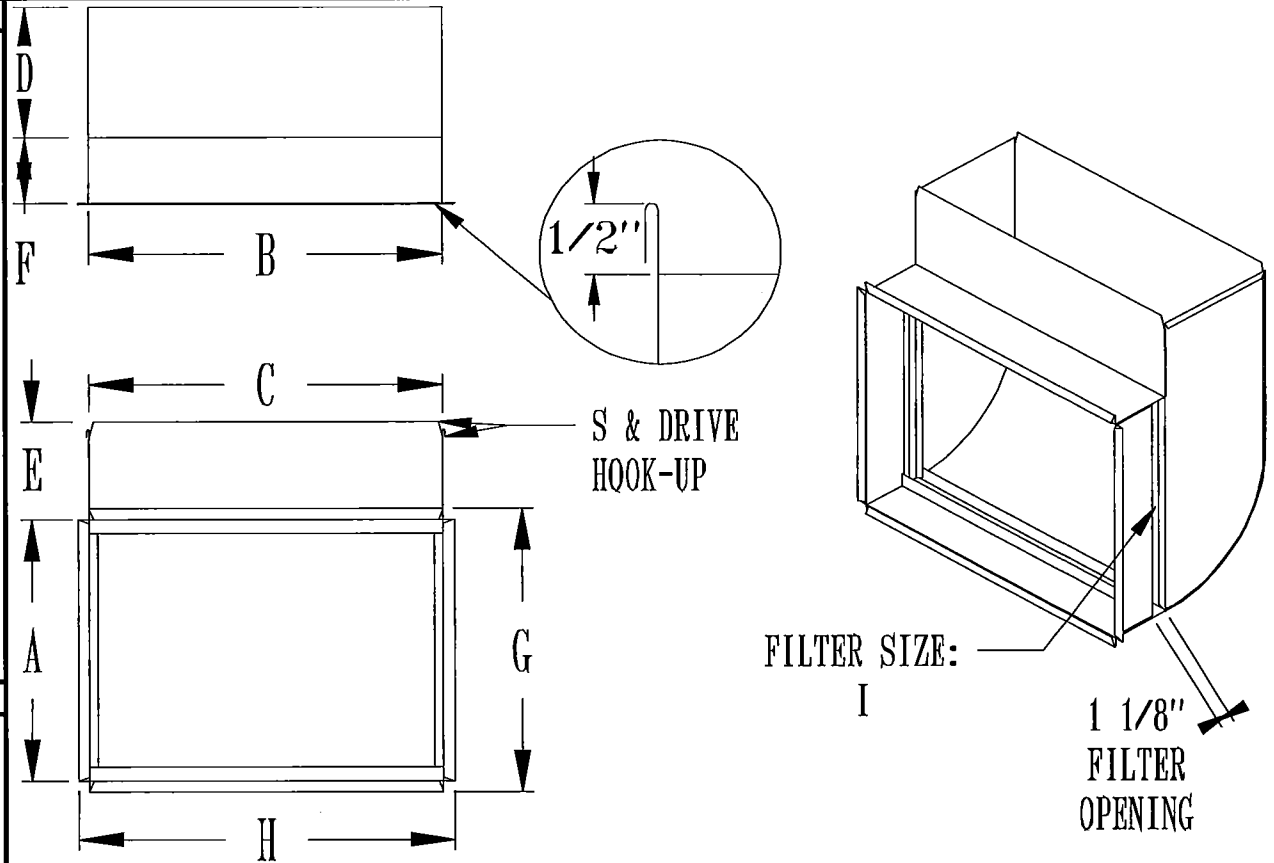
HOT DIPPED GALVANIZED STEEL.
 PER ASTM A 653 CSB.

26 GAUGE CONSTRUCTION.

PITTSBURG LOCK ASSEMBLY

OPTIONS

AVAILABLE WITH 1" AND 2" COMBO FILTER RACK
 AVAILABLE WITH 1" AND 5" COMBO FILTER RACK



JOB: _____
 LOCATION: _____
 CONTRACTOR: _____
 ENGINEER: _____
 NOTES: _____