

Part Number:  
CPECOMZR007B00

SMALL PACKAGED PRODUCT (2-3 TON UNITS)  
VERTICAL ECONOMIZER ACCESSORY  
EXCLUDING 3 TON 14 SEER HP AND DUAL FUEL MODELS

## Installation Instructions

Read these instructions completely before attempting to install the Vertical Economizer Accessory.


### CONTENTS

<b>SAFETY CONSIDERATIONS</b> .....	<b>1</b>
<b>GENERAL</b> .....	<b>1,2</b>
<b>ACCESSORIES LIST</b> .....	<b>2</b>
<b>INSTALLATION</b> .....	<b>2-6</b>
<b>CONFIGURATION</b> .....	<b>6-10</b>
<b>ECONOMIZER CONTROL MODES</b> .....	<b>6</b>
<b>OPERATION</b> .....	<b>10</b>
<b>SEQUENCE OF OPERATION</b> .....	<b>10</b>
<b>PERFORMANCE DATA</b> .....	<b>11</b>
<b>TROUBLESHOOTING</b> .....	<b>11-12</b>
<b>WIRING DIAGRAMS</b> .....	<b>13-18</b>

### SAFETY CONSIDERATIONS

Installation and servicing of air-conditioning equipment can be hazardous due to system pressure and electrical components. Only trained and qualified service personnel should install, repair, or service air-conditioning equipment.

Untrained personnel can perform the basic maintenance functions of replacing filters. All other operations should be performed by trained service personnel. When working on air-conditioning equipment, observe precautions in the literature, tags, and labels attached to the unit, and other safety precautions that may apply.

Recognize safety information. This is the safety-alert symbol . When you see this symbol on the unit and in instructions or manuals, be alert to the potential for personal injury. Understand these signal words; DANGER, WARNING, and CAUTION. These words are used with the safety-alert symbol. DANGER identifies the most serious hazards which will result in severe personal injury or death. WARNING signifies hazards which could result in personal injury or death. CAUTION is used to identify unsafe practices which may result in minor personal injury or product and property damage. NOTE is used to highlight suggestions which will result in enhanced installation, reliability, or operation.

Follow all safety codes. Wear safety glasses, protective clothing, and work gloves. Use quenching cloth for brazing operations. Have a fire extinguisher available. Read these instructions thoroughly and follow all warnings or cautions included in literature and attached to the unit. Consult local building codes and current editions of the National Electrical Code (NEC) NFPA 70. In Canada, refer to current editions of the Canadian electrical code CSA 22.1.

### WARNING

#### ELECTRICAL SHOCK HAZARD

Failure to follow this warning could result in personal injury or death.

Before installing, modifying, or servicing system, main electrical disconnect switch must be in the OFF position and install a lockout tag. There may be more than 1 disconnect switch. Lock out and tag switch with suitable warning label.

### CAUTION

#### UNIT PERFORMANCE AND COMPONENT HAZARD

Failure to follow this caution may result in unit damage.

For cooling operation, the recommended airflow is 350 to 450 cfm for each 12,000 Btuh of rated cooling capacity. For heating operation, the airflow must produce a temperature rise that falls within the range stamped on the unit rating plate.

### GENERAL

Economizers are recommended for use with only commercial packaged products that have ECM motors. The Economizer system utilizes the latest technology available for integrating the use of free cooling with mechanical cooling for rooftop units. The solid state control system optimizes energy consumption, zone comfort, and equipment cycling by operating the compressors when the outdoor-air temperature is too warm, integrating the compressor with outdoor air when free cooling is available, and locking out the compressor when outdoor-air temperature is too cold. Demand ventilation is supported.

The Economizer system utilizes gear-drive technology with a direct-mount spring return actuator that will close upon loss of power. The Economizer system comes standard with an outdoor air temperature sensor, a supply air temperature sensor, and low temperature compressor lockout switch. Indoor enthalpy sensors, outdoor enthalpy sensors and CO<sub>2</sub> sensors are available for field installation.

Barometric relief dampers provide natural building pressurization control. Barometric relief dampers are built into the design and are standard.

See Table 1 for package contents. See Table 3 for sensor usage.

**Table 1 - Package Contents**

PART NUMBER	QTY	DESCRIPTIONS
CPECOMZR007B00	1	Hood Top and Sides
	1	Hood Divider
	1	Aluminum Filter
	11	#10 Self-Drilling Screw and Washers
	4	#10x 1/2" Blunt End Screws
	1	#10x 1" Self-Drilling Screws
	1	Economizer Assembly
	1	Supply Air Temperature Sensor with Bracket
	2	10" x 20" x " Filter*
	1	Top Filter Rack
	1	Side Filter Blank Off
	1	Replacement Return Chamber Panel
	1	Compressor Cover Panel
	1	Extension Harness w/ Plug
2	Wiring Diagram Labels	

**Table 2 - Filter Sizes**

PART NUMBER	1-IN. FILTER SIZE	2-IN. FILTER SIZE
CPECOMZR007B00	2 - 10" x 20" (254 x 508mm)	2 - 10" x 20" (254 x 508mm)

\*Unscrew bracket on the top filter rack to fit 2-in. (50.8mm) filters.

Table 3 - Economizer Sensor Usage			
APPLICA-TION	ECONOMIZER WITH OUTDOOR AIR DRY BULB SENSOR		
	Accessories Required		
Outdoor Air Dry Bulb	None. The outdoor air dry bulb sensor is factory installed		
Single Enthalpy	HH57AC078		
Differential Enthalpy	HH57AC078 and CRENTDIF004A00*		
CO2 for DCV Control Using a Wall-Mounted CO2 Sensor	33ZCSENCO2 or CGCDXSEN004A00		
CO2 for DCV Control Using a Duct-Mounted CO2 Sensor	33ZCSENCO2 or CGCDXASP00100† and 33ZCASPCO2 or CGCDXASP00100**	OR	CRCBDIOX005A00††

\*CRENTDIF004A00 accessory is used on many different base units. As such, these kits may contain parts that will not be needed for installation.

†33ZCSENCO2 and CGCDXSEN004A00 are accessory CO2 sensors.

\*\*33ZCASPCO2 and CGCDXASP00100 are accessory aspirator boxes required for duct-mounted applications.

††CRCBDIOX005A00 is an accessory that contains both 33ZCSENCO2 and 33ZVASPCO2 accessories.

### ACCESSORIES LIST

The economizer has several field-installed accessories available to optimize performance. Refer to Table 4 for authorized parts.

Table 4 - Economizer Field-Installed Accessories	
DESCRIPTION	PART NUMBER
Outdoor Air Enthalpy Sensor	HH57AC078
Indoor Air Enthalpy Sensor	CRENTDIF004A00
Return Air CO2 Sensor (4-20mA)	CRCBDIOX005A00
CO2 Room Sensor (4-20mA)	33ZCSENCO2 or CGCDXSEN004A00
Aspirator Box for Duct Mount CO2 Sensor (4-20mA)	33ZCASPCO2 or CGCDXASP001A00
Space Temperature and CO2 Room Sensor with Override (4-20mA)	33ZCT55CO2
Space Temperature and CO2 Room Sensor with Override and Set Point (4-20mA)	33ZCT56CO2
Heat Pump Relay Package	CPRLYKIT001A00

### INSTALLATION

Economizer - See Fig. 2 for Economizer component locations. To install the vertical Economizer perform the following procedure:

1. Turn off unit power supply and install lockout tag.

#### **⚠ WARNING**

##### **ELECTRICAL SHOCK HAZARD**

Failure to follow this warning could result in personal injury or death.

Before installing or servicing system, always turn off main power to system and tag. There may be more than one disconnect switch. Turn off accessory heater power switch if applicable.

2. Remove the compressor access panel and unit side panel. See Fig. 3.
3. Make sure the panel covering the bottom return air duct opening has been removed, allowing for unobstructed vertical return.

4. Install the Side Filter Blank-Off in front of the indoor coil on the far right side, as shown in Figure 1 and 1A. Install screw through bottom tab of side filter blank-off, and into unit divider panel.

5. Before installing the Top Filter Rack, make sure the Filter Slide is installed as shown in Fig. 1. The Filter Slide will allow for easier filter access.

Lift the Top Filter Rack assembly to the very top of the indoor coil. The far right edge of the Top Filter Rack will slide over the top of the Side Filter Blank-Off.

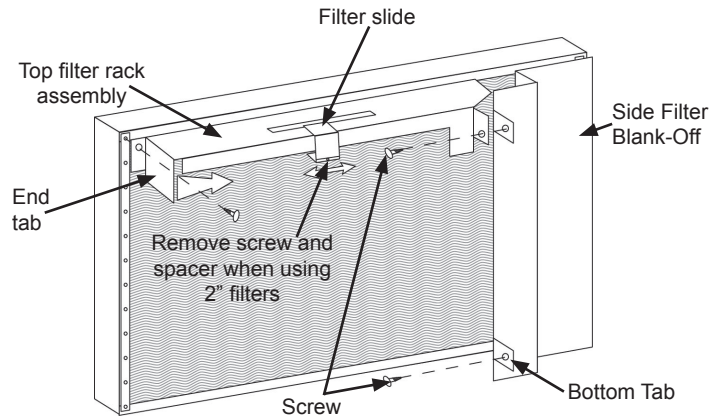
For easier installation, temporarily bend the end tab on the Top Filter Rack to the right Fig. 1. Screw through the pre-punched hole in the top left of the Top Filter Rack and into the indoor coil frame using 1/2" long blunt end screws, as shown in Fig. 1. Bend end tab back in place (vertical).

Line up the hole in the top tab of the Side Filter Blank-off with the end tab on the Top Filter Rack, and screw into unit divider panel as shown in Fig. 1 and 1A.

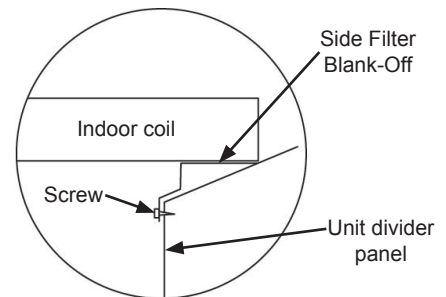
The bottom filter rack is built into the economizer so no additional installation is required.

If using a 2" wide filter, the Filter spacer shown in Fig. 1 will be removed. Unscrew and discard.

Filter access is through the horizontal return duct cover, see Fig. 6.



**Fig. 1 - Filter Rack**

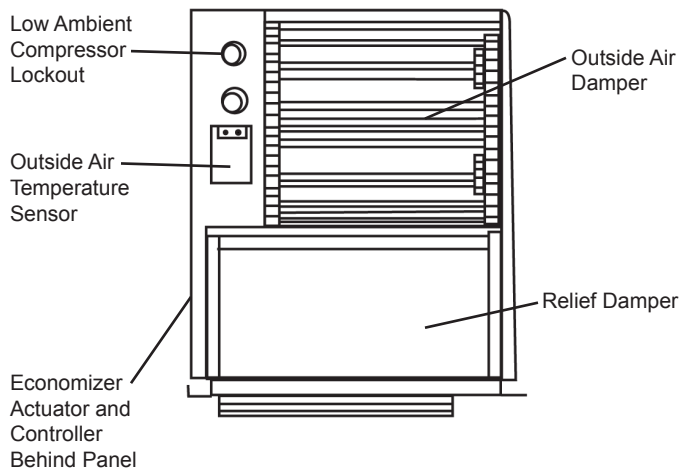


**Fig. 1A - Top View - Filter Blank-Off Installation**

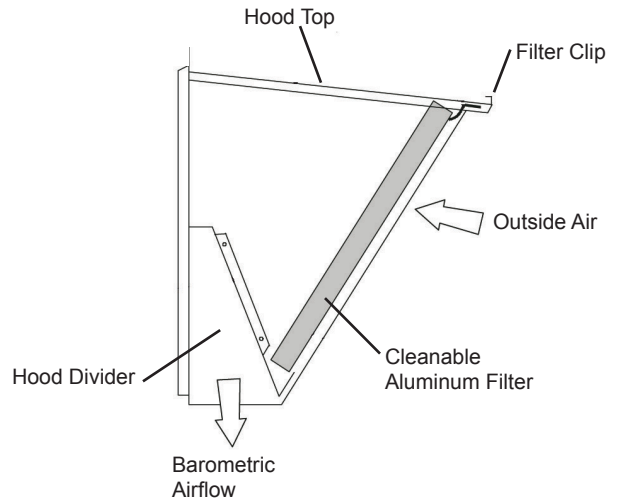
6. Most new 3 Phase HVAC units will have an economizer plug in the return air chamber which runs back to the control box. If the unit has the economizer harness/plug, first remove the jumper plug from the end of the harness to allow the plug from the economizer to be connected.

NOTE: The jumper plug should be saved for future use in the event that the economizer is removed from the unit. The jumper plug is not needed as long as the economizer is installed.

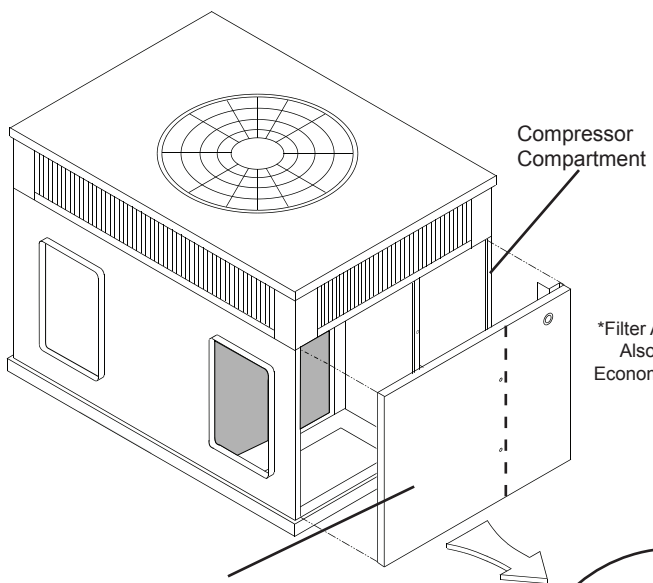
In the event that your HVAC unit does not have a factory installed harness for the economizer, the extension harness shipped with the economizer must be installed in the unit. Route the extension harness through the HVAC unit as shown in Fig. 8 & 10. Connect extension harness per wiring diagrams in this booklet. The plug end of the harness extension will connect to the economizer plug in the return chamber and the other end will be routed to and connect in the control box.



**Fig. 2 - Component Locations**

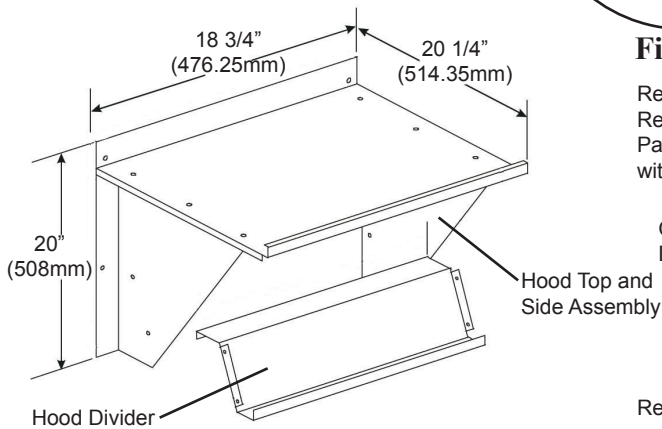


**Fig. 5 - Filter Installation**

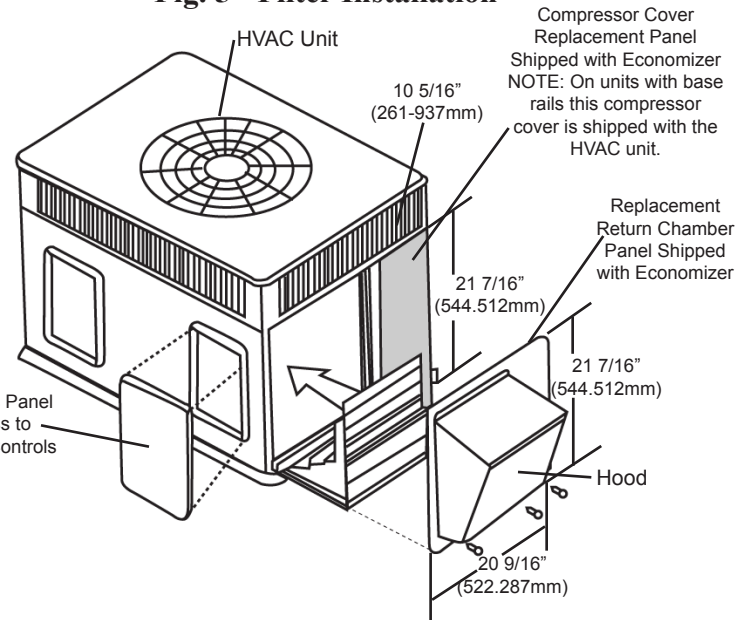


Side Panel shipped with HVAC unit. Remove and Discard  
 NOTE: Units with base rails will have a 2 piece panel. Discard the panel covering the return air chamber and reuse the panel covering the compressor section.

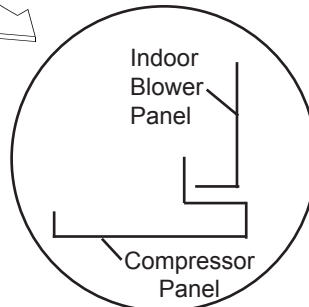
**Fig. 3 - Panel Removal**



**Fig. 4 - Hood Assembly**



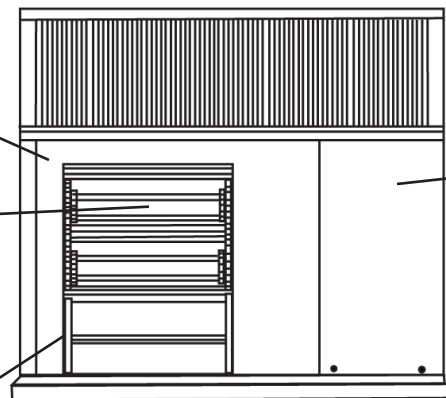
**Fig. 6 - Economizer Installation**



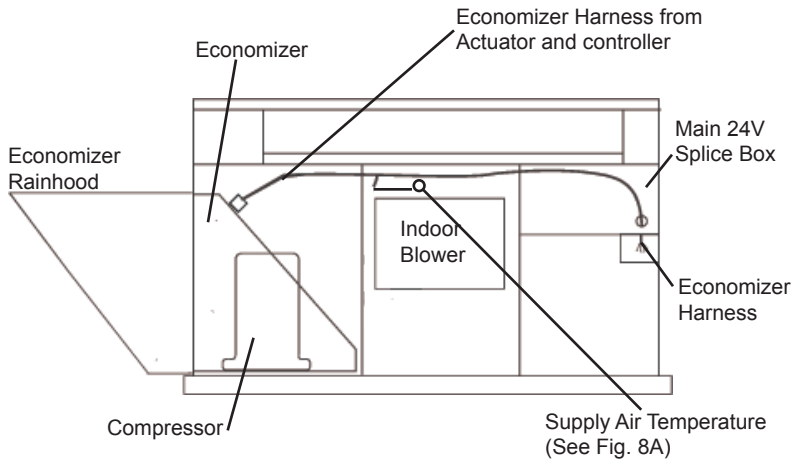
**Fig. 6A**

Replacement Return Chamber Panel Provided with Economizer

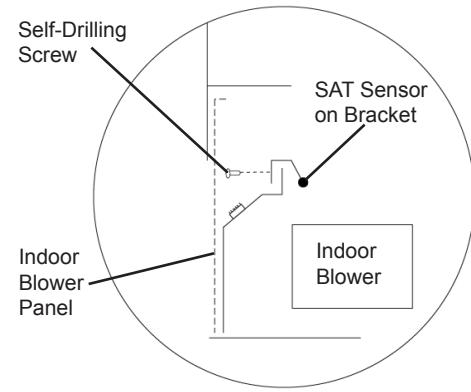
Outside Air Damper  
 Relief Dampers



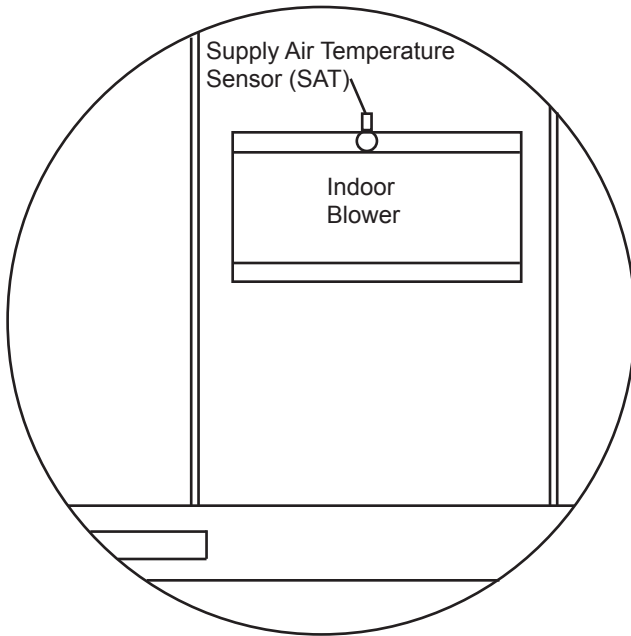
**Fig. 7 - Economizer Installed in HVAC Unit**



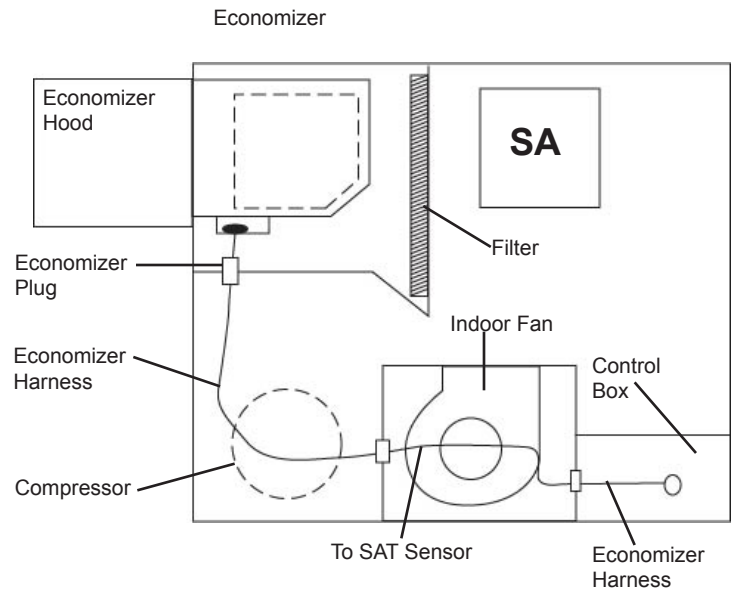
**Fig. 8 - Routing Harness Extension and Mounting SAT Sensor**



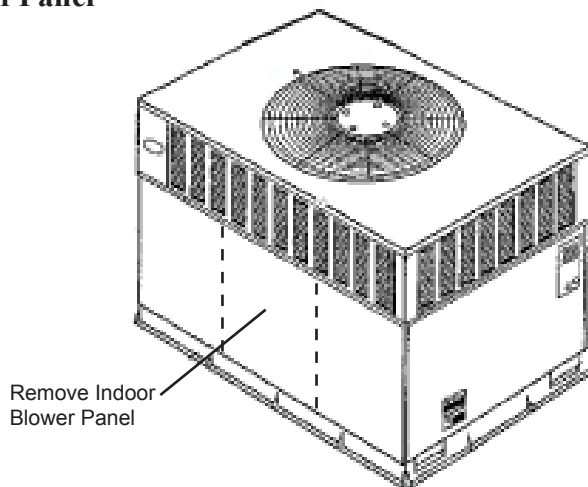
**Fig. 8A - SAT Mounting for Units with Upper Block Off Panel**



**Fig. 9 - SAT Location for Units without Block Off Panel**



**Fig. 10 - Routing Harness (Top View)**



**Fig. 11 - Indoor Blower Panel**

6. Remove the panel on the HVAC unit covering the indoor blower. See Fig. 11. The (provided) Supply Air Temperature (SAT) sensor, which looks like an eyelet terminal, must be installed in the blower section. Attach the (2) pink wires from the economizer harness (or extension harness) to the SAT.

The SAT sensor is shipped attached to a small bracket. If the HVAC unit has an upper block off panel, attach the sensor / bracket as shown in Fig. 8A using a #10 x 5/8" self-drilling screw. If the unit does not have an upper block off panel, remove the bracket from the SAT and screw the SAT to the side of the indoor blower, using a #10 x 5/8" self-drilling screw, as shown in Fig. 9.

7. Replace the panel covering the indoor blower.

NOTE: For heat pump units, an additional relay package, Factory kit part number CPRLYKIT001A00, or a field provided relays must be installed in the blower section. See heat pump diagram for details.

### Installation of Heat Pump Relays

When this economizer is used on heat pump HVAC units, relays must be added for proper operation.

The relays, which are shown on the attached diagrams, can be field supplied, or relay kit CPRLYKIT001A00 can be ordered. Field provided relays must be:

- SPDT, one pole normally open and one normally closed. Same polarity.

- Minimum 124 VA inrush.

Acceptable relays include:

- Honeywell: R8222B117
- Honeywell: R422B1124
- White Rodgers: 91-103001-13002
- White Rodgers: 91-102006-13302

#### Relay Installation:

A. If the optional relay kit CPRLYKIT001A00 is used, it will mount underneath the indoor blower as shown in Fig. 12 & 13. Follow instructions sent with the package.

B. If relays are field provided and installed, they can be mounted above the upper block off panel, as shown in Fig. 12. Use caution to ensure screws to do not interfere with blower operation, Blunt end screws are recommended.

C. If no upper block off panel is present mount relays on compressor partition below indoor blower on left as shown in Fig. 12.

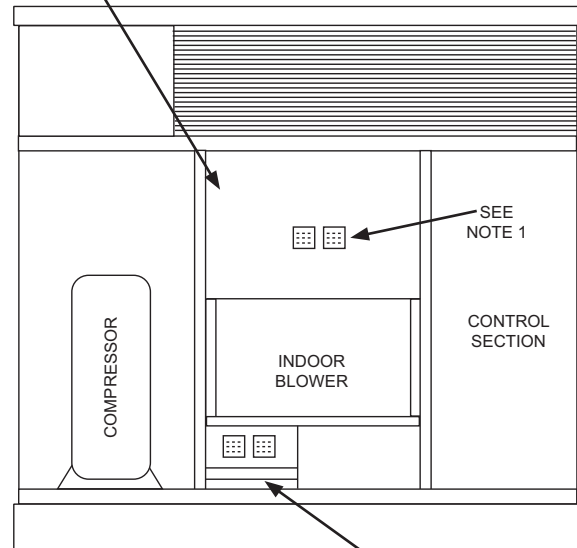
D. Wire the relays per diagram in this instruction.

8. Install the economizer assembly into the return air chamber, making sure the economizer completely covers the bottom return air opening. See Fig. 6. Remove the red shipping tape holding the relief dampers closed.

NOTE: The hole in the center of the bottom of the economizer will line up with the mating hole in the HVAC base - however do not insert screw yet.

9. Install the replacement return chamber panel over the economizer assembly and underneath the drip flange on the HVAC unit. Line up the bottom center hole on the panel with the hole in the bottom of the economizer and the mating hole in the base of the HVAC unit. Insert screw, which will hold all parts in place. Insert screws on bottom, left, and right of panel and on panel right side as well. See Fig. 6.

Upper Block-off panel (some units)



NOTE 1: Field provided relays can be mounted on upper block off panel, if applicable

Location for heat pump relay package number CPRLYKIT001A00

Fig. 12 - Relay Kit Location

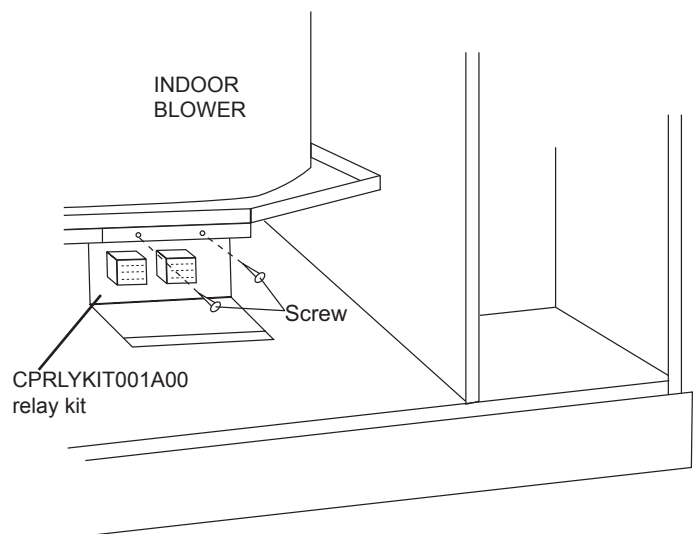


Fig. 13 - Relay Kit Installation

10. Remove the hood parts from the economizer package. Assemble as shown in Fig. 4 by screwing together with provided #10 x 5/8” screws.

11. Caulk or gasket the back side of the hood mating flanges. Install assembled hood over the economizer opening in the replacement return chamber panel. Screw in place through pre-punched holes. Make sure all seams are watertight.

12. Open the filter clips on the inside of the hood top. Insert the aluminum filter into the hood and close the clips to hold in place. See Fig. 5.

13. Remove the filter access panel (horizontal return panel) and install disposable filters in filter rack behind filter clips. Fig. 1. See Table 2 for filter sizes.

NOTE: The economizer control settings and the filters are accessible through the horizontal return opening on side of HVAC unit. See Fig. 6.

14. Through the filter access door (horizontal return panel), adjust the settings on the economizer controller. Review the settings in the Operation section:

1. The standard economizer controller has a factory setting of 63° F (17° C) for the outdoor air temperature changeover and 55° F (13° C) for the supply air (mixed air) temperature sensor. The outdoor air temperature changeover setting is adjusted on the sensor by setting the dip switches on the sensor. The ABCD potentiometer on the economizer controller should be set to the “D” position.
2. The low ambient compressor lockout switch setting is fixed at 42° F (6° C).
3. The minimum position for the outdoor air damper can be configured at the controller. When not using a CO<sub>2</sub> sensor, the DCV Max potentiometer must be completely closed (CCW) for the Minimum Position potentiometer to function correctly.
4. Settings for the optional outdoor enthalpy sensor, indoor enthalpy sensor, and CO<sub>2</sub> sensor can also be configured at the controller.

15. Replace the filter access panel. Screw in place.

16. Install the compressor access panel provided with the economizer. Secure to HVAC unit per Figs. 6 and 7. Units with base rails will have compressor panel shipped with.

17. Install all economizer accessories then power HVAC unit and test cycle economizer.

## CONFIGURATION

### Economizer Standard Sensors

**OUTDOOR AIR TEMPERATURE (OAT) SENSOR**—The outdoor air temperature sensor (HH57AC080) is a 10 to 20mA device used to measure the outdoor-air temperature. The outdoor-air temperature is used to determine when the Economizer can be used for free cooling. The operating range of temperature measurement is 40° to 100° F (4° to 38° C). The sensor has 8 selectable temperature changeover setpoints. The temperature changeover is set using the 3 dip switches on the sensor. The ABCD potentiometer on the controller should be set to the “D” position. See Fig. 15.

**SUPPLY AIR TEMPERATURE (SAT) SENSOR**—The supply air temperature sensor is a 3 KΩ thermistor located at the inlet of the indoor fan. See Fig. 8 and 9. This sensor is field installed. The operating range of temperature measurement is 0°(-18° C) to 158° F (70° C). See Table 5 for sensor temperature/resistance values. The temperature sensor looks like an eyelet terminal with wires running to it. The sensor is located in the “crimp end”

and is sealed from moisture.

### LOW TEMPERATURE COMPRESSOR LOCKOUT

**SWITCH**—The Economizer is equipped with a low ambient temperature lockout switch located in the outdoor airstream which is used to lock out the compressors below a 42° F (6° C) ambient temperature. See Fig. 2.

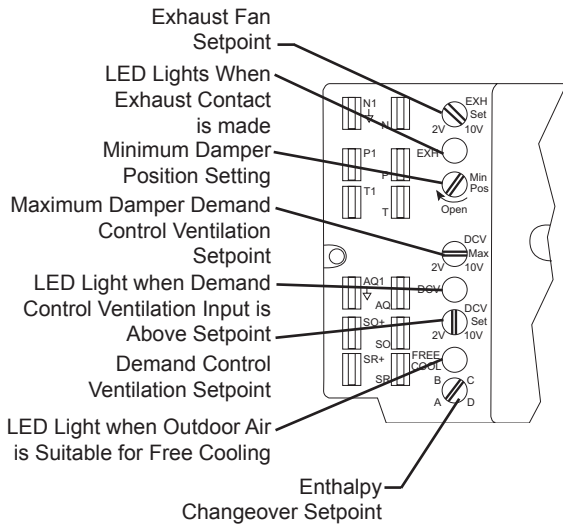
TEMPERATURE (F)	CELSIUS (C)	RESISTANCE (ohms)
-22	-30	53,010
-4	-20	29,091
14	-10	16,590
32	0	9,795
50	10	5,970
68	20	3,747
77	25	3,000
86	30	2,416
104	40	1,597
122	50	1,080
140	60	746
158	70	525

**Economizer Control Modes** — Determine the Economizer control mode before set up of the control. Some modes of operation may require different sensors. Refer to Table 3. The Economizer is supplied from the factory with a supply air temperature sensor, a low temperature compressor lockout switch, and an outdoor air temperature sensor. This allows for operation of the Economizer with outdoor air dry bulb changeover control. Additional accessories can be added to allow for different types of changeover control and operation of the Economizer and unit.

**OUTDOOR DRY BULB CHANGEOVER**—The standard controller is shipped from the factory configured for outdoor dry bulb changeover control. The outdoor air and supply air temperature sensors are included as standard.

For this control mode, the outdoor temperature is compared to a selectable set point on the sensor. See Fig. 15. If the outdoor-air temperature is above the set point, the Economizer will adjust the outdoor air dampers to minimum position. If the outdoor-air temperature is below the set point, the position of the outdoor-air dampers will be controlled to provide free cooling using outdoor air. When in this mode, the LED next to the free cooling set point potentiometer will be on. The changeover temperature set point is set using the switches on the sensor. See Fig. 15 for the corresponding temperature changeover values.

**OUTDOOR ENTHALPY CHANGEOVER**—For enthalpy control, accessory enthalpy sensor (part number HH57AC078) is required. Replace the standard outdoor dry bulb temperature sensor with the accessory enthalpy sensor in the same mounting location.



**Fig. 14 - Economizer Controller Potentiometer LED Locations**

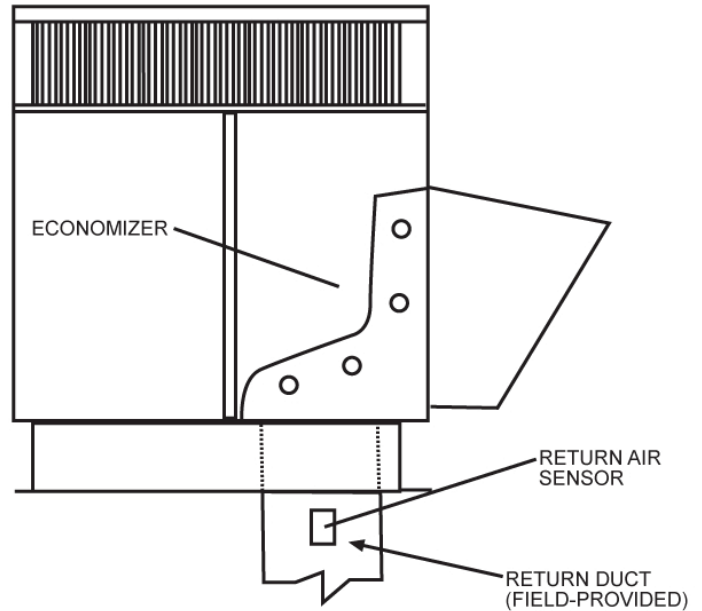
DIP SWITCH POSITION	CHANGEOVER TEMPERATURE
ON OFF [1] [2] [3]	48°F
ON OFF [1] [2] [3]	53°F
ON OFF [1] [2] [3]	55°F
ON OFF [1] [2] [3]	58°F
ON OFF [1] [2] [3]	63°F
ON OFF [1] [2] [3]	68°F
ON OFF [1] [2] [3]	73°F
ON OFF [1] [2] [3]	78°F

M27636

**Fig. 15 - Outdoor Air Temperature Changeover Set Points**

When the outdoor air enthalpy rises above the outdoor enthalpy changeover set point, the outdoor-air damper moves to its minimum position. The outdoor enthalpy changeover set point is set with the outdoor enthalpy set point potentiometer on the Economizer controller. The set points are A, B, C, and D. See Fig. 17. The factory-installed 620-ohm jumper must be in place across terminals SR and SR+ on the Economizer controller.

**DIFFERENTIAL ENTHALPY CONTROL** — For differential enthalpy control, the Economizer controller uses two enthalpy sensors (HH57AC078 and CRENTDIF004A00), one in the outside air and one in the return airstream. The Economizer controller compares the outdoor air enthalpy to the return air enthalpy to determine Economizer use. The controller selects the lower enthalpy air (return or outdoor) for cooling. For example, when the outdoor air has a lower enthalpy than the return air and is below the set point, the Economizer opens to bring in outdoor air for free cooling. Replace the standard outside air dry bulb temperature sensor with the accessory enthalpy sensor in the same mounting location. Mount the return air enthalpy sensor in the return air duct. See Fig. 16. When using this mode of changeover control, turn the enthalpy set point potentiometer fully clockwise to the D setting.



**Fig. 16 - Return Air Enthalpy Sensor Mounting Location**

**INDOOR AIR QUALITY (IAQ) SENSOR INPUT** —The IAQ input can be used for demand control ventilation control based on the level of CO<sub>2</sub> measured in the space or return air duct.

Mount the accessory IAQ sensor according to manufacturer specifications. The IAQ sensor should be wired to the AQ and AQ1 terminals of the controller. Adjust the DCV potentiometers to correspond to the DCV voltage output of the indoor air quality sensor at the user-determined set point. See Fig. 19.

If a separate field-supplied transformer is used to power the IAQ sensor, the sensor must not be grounded or the Economizer control board will be damaged.

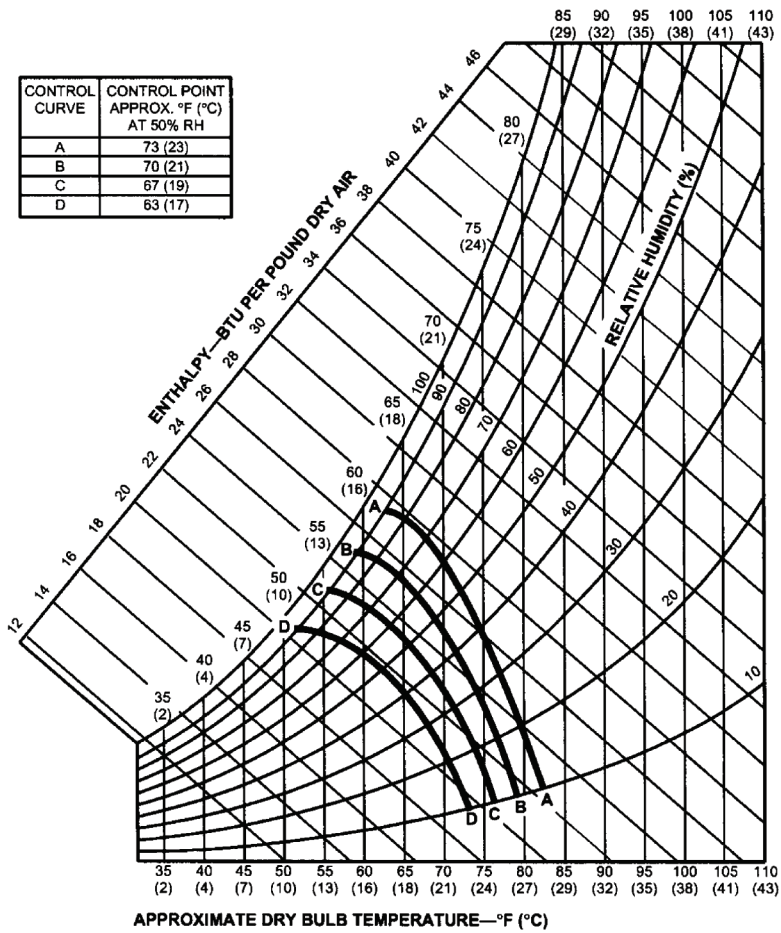


Fig. 17 - Enthalpy Change over Setpoints

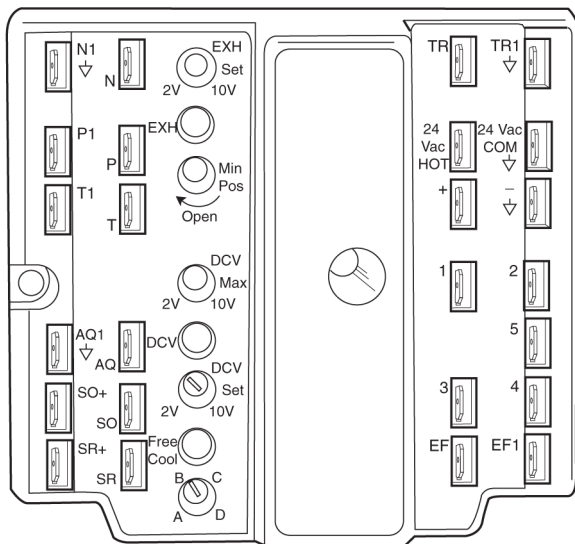


Fig. 18 - Economizer Controller

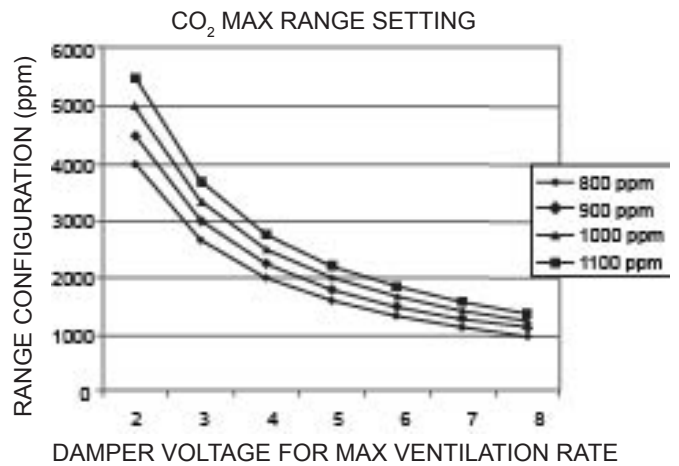


Fig. 19 - CO<sub>2</sub> Sensor Maximum Range Setting



**EXHAUST SET POINT ADJUSTMENT**—The exhaust set point will determine when the exhaust fan runs based on damper position (if power exhaust is installed). The set point is modified with the Exhaust Fan Set Point (EXH SET) potentiometer. The set point represents the damper position above which the exhaust fans will be turned on. When there is a call for exhaust, the Economizer controller provides a  $45 \pm 15$  second delay before exhaust fan activation to allow the dampers to open. This delay allows the damper to reach the appropriate position to avoid unnecessary fan overload.

**MINIMUM POSITION CONTROL** — There is a minimum damper position potentiometer on the Economizer controller. See Fig. 14. The minimum damper position maintains the minimum airflow into the building during the occupied period.

When using demand ventilation, the minimum damper position represents the minimum ventilation position for VOC (volatile organic compound) ventilation requirements. The maximum demand ventilation position is used for fully occupied ventilation.

When demand ventilation control is not being used, the minimum position potentiometer should be used to set the occupied ventilation position. The DCV Max potentiometer must be fully closed (CCW) to allow the Minimum Position potentiometer to function correctly. Adjust the minimum position potentiometer to allow the minimum amount of outdoor air, as required by local codes, to enter the building. Make minimum position adjustments with at least  $10^{\circ}$  F ( $5.5^{\circ}$  C) temperature difference between the outdoor and return-air temperatures.

To determine the minimum position setting, perform the following procedure:

1. Calculate the appropriate mixed air temperature using the following formula:

$$(TO \times OA/100) + (TR \times RA/100) = TM$$

TO = Outdoor-Air Temperature

OA = Percent of Outdoor Air

TR = Return-Air Temperature

RA = Percent of Return Air

TM = Mixed-Air Temperature

As an example, if local codes require 10% outdoor air during occupied conditions, outdoor-air temperature is  $60^{\circ}$ F ( $15.6^{\circ}$  C), and return-air temperature is  $75^{\circ}$  F ( $23.9^{\circ}$  C).  
 $(60 \times .10) + (75 \times .90) = 73.5^{\circ}$  F ( $23.1^{\circ}$  C)

2. Disconnect the supply air sensor from terminals T and T1.
3. Ensure that the factory-installed jumper is in place across terminals P and P1. If remote damper positioning is being used, make sure that the terminals are wired according to Fig. 9 and that the minimum position potentiometer is turned fully clockwise.
4. Connect 24 vac across terminals TR and TR1.
5. Carefully adjust the minimum position potentiometer until the measured mixed-air temperature matches the calculated value.
6. Reconnect the supply air sensor to terminals T and T1.

Remote control of the Economizer damper is desirable when requiring additional temporary ventilation. If a field-supplied remote potentiometer (Honeywell part number S963B1128) is wired to the Economizer controller, the minimum position of the damper can be controlled from a remote location.

To control the minimum damper position remotely, remove the factory-installed jumper on the P and P1 terminals on the Economizer controller. Wire the field-supplied potentiometer to the P and P1 terminals on the Economizer controller.

**DAMPER MOVEMENT** — Damper movement from full open to full closed (or vice versa) takes 2 1/2 minutes.

**THERMOSTATS** — The Economizer control works with conventional thermostats that have a Y1 (cool stage 1), Y2 (cool stage 2), W1 (heat stage 1), W2 (heat stage 2), and G (fan). The Economizer control does not support space temperature sensors. Connections are made at the thermostat terminal connection board located in the main control box.

**OCCUPANCY CONTROL** — The factory default configuration for the Economizer control is occupied mode. Occupied status is provided by the black jumper from terminal TR to terminal N. When unoccupied mode is desired, install a field supplied timeclock function in place of the jumper between TR and N. When the timeclock contacts are

closed, the Economizer control will be in occupied mode. When the timeclock contacts are open (removing the 24-v signal from terminal N), the Economizer IV will be in unoccupied mode.

**DEMAND CONTROLLED VENTILATION (DCV)**—When using the Economizer for demand controlled ventilation, there are some equipment selection criteria which should be considered. When selecting the heat capacity and cool capacity of the equipment, the maximum ventilation rate must be evaluated for design conditions. The maximum damper position must be calculated to provide the desired fresh air.

Typically the maximum ventilation rate will be about 5 to 10% more than the typical cfm required per person, using normal outside air design criteria.

An exponential anticipatory strategy should be taken with the following conditions: a zone with a large area, varied occupancy, and equipment that cannot exceed the required ventilation rate at design conditions. Exceeding the required ventilation rate means the equipment can condition air at a maximum ventilation rate that is greater than the required ventilation rate for maximum occupancy. An exponential-anticipatory strategy will cause the fresh air supplied to increase as the room CO<sub>2</sub> level increases even though the CO<sub>2</sub> set point has not been reached. By the time the CO<sub>2</sub> level reaches the set point, the damper will be at maximum ventilation and should maintain the set point.

In order to have the CO<sub>2</sub> sensor control the economizer damper in this manner, first determine the damper voltage output for minimum or base ventilation. Base ventilation is the ventilation required to remove contaminants during unoccupied periods. The following equation may be used to determine the percent of outside-air entering the building for a given damper position. For best results there should be at least a  $10^{\circ}$  F ( $5.5^{\circ}$  C) difference in outside and return-air temperatures.

$$(TO \times OA/100) + (TR \times RA/100) = TM$$

TO = Outdoor-Air Temperature

OA = Percent of Outdoor Air

TR = Return-Air Temperature

RA = Percent of Return Air

TM = Mixed-Air Temperature

Once base ventilation has been determined, set the minimum damper position potentiometer to the correct position.

The same equation can be used to determine the occupied or maximum ventilation rate to the building. For example, an output of 3.6 volts to the actuator provides a base ventilation rate of 5% and an output of 6.7 volts provides the maximum ventilation rate of 20% (or base plus 15 cfm per person). Use Fig. 19 to determine the maximum setting of the CO<sub>2</sub> sensor. For example, a 1100 ppm set point relates to a 15 cfm per person design. Use the 1100 ppm curve on Fig. 19 to find the point when the CO<sub>2</sub> sensor output will be 6.7 volts. Line up the point on the graph with the left side of the chart to determine that the range configuration for the CO<sub>2</sub> sensor should be 1800 ppm. The Economizer controller will output the 6.7 volts from the CO<sub>2</sub> sensor to the actuator when the CO<sub>2</sub> concentration in the space is at 1100 ppm.

The DCV set point may be left at 2 volts since the CO<sub>2</sub> sensor voltage will be ignored by the Economizer controller until it rises above the 3.6 volt setting of the minimum position potentiometer. Once the fully occupied damper position has been determined, set the maximum damper demand control ventilation potentiometer to this position. Do not set to the maximum position as this can result in over-ventilation to the space and potential high-humidity levels.

**CO<sub>2</sub> SENSOR CONFIGURATION** — The CO<sub>2</sub> sensor has preset standard voltage settings that can be selected anytime after the sensor is powered up. See Table 6.

Use setting 1 or 2 for equipment. See Table 6.

1. Press Clear and Mode buttons. Hold at least 5 seconds until the sensor enters the Edit mode.
2. Press Mode twice. The STDSET Menu will appear.
3. Use the Up/Down button to select the preset number. See Table 6.
4. Press Enter to lock in the selection.
5. Press Mode to exit and resume normal operation.

The custom settings of the CO<sub>2</sub> sensor can be changed anytime after the sensor is energized. Follow the steps below to change the non-standard settings:

1. Press Clear and Mode buttons. Hold at least 5 seconds until the sensor enters the Edit mode.
2. Press Mode twice. The STDSET Menu will appear.
3. Use the Up/Down button to toggle to the NONSTD menu and press Enter.
4. Use the Up/Down button to toggle through each of the nine variables, starting with Altitude, until the desired setting is reached.
5. Press Mode to move through the variables.
6. Press Enter to lock in the selection, then press Mode to continue to the next variable.

**DEHUMIDIFICATION OF FRESH AIR WITH DCV CONTROL**—

Information from ASHRAE indicates that the largest humidity load on any zone is the fresh air introduced. For some applications, an energy recovery unit can be added to reduce the moisture content of the fresh air being brought into the building when the enthalpy is high. In most cases, the normal heating and cooling processes are more than adequate to remove the humidity loads for most commercial applications. If normal rooftop heating and cooling operation is not adequate for the outdoor humidity level, an energy recovery unit and/or a dehumidification option should be considered.

**OPERATION**

**Sequence of Operation**—When free cooling is not available, the compressor will be controlled by the thermostat. When free cooling is available, the outdoor-air damper is modulated by the Economizer control to provide a 50° to 55° F (10° to 12.8° C) supply-air temperature into the zone. As the supply-air temperature fluctuates above 55° F

(12.8° C) or below 50° F (10° C), the dampers will be modulated (open or close) to bring the supply-air temperature back within the set points.

For Economizer operation, there must be a thermostat call for the fan (G). This will move the damper to its minimum position during the occupied mode. NOTE: The DCV Max potentiometer must be completely closed (CCW) when not using CO<sub>2</sub> sensor.

Above 50° F (10° C) supply-air temperature, the dampers will modulate from 100% open to the minimum open position. From 50° F (10° C) to 45° F (7.2° C) supply-air temperature, the dampers will maintain at the minimum open position. Below 45° F (7.2° C), the dampers will be completely shut. As the supply-air temperature rises, the dampers will come back open to the minimum open position once the supply-air temperature rises to 48° F (8.9° C).

If power exhaust is installed, as the outdoor-air damper opens and closes, the power exhaust fans will be energized and deenergized.

If field-installed accessory CO<sub>2</sub> sensors are connected to the Economizer control, a demand controlled ventilation strategy will begin to operate. As the CO<sub>2</sub> level in the zone increases above the CO<sub>2</sub> set point, the minimum position of the damper will be increased proportionally. As the CO<sub>2</sub> level decreases because of the increase in fresh air, the outdoor-air damper will be proportionally closed. Damper position will follow the higher demand condition from DCV mode or free cooling mode.

Damper movement from full closed to full open (or vice versa) will take between 1 1/2 and 2 1/2 minutes.

If free cooling can be used as determined from the appropriate changeover command (dry bulb, enthalpy curve, or differential enthalpy), a call for cooling (Y1 closes at the thermostat) will cause the control to modulate the dampers open to maintain the supply air temperature set point at 50° to 55° F (10° to 12.8° C).

As the supply air temperature drops below the set point range of 50° to 55° F (10° to 12.8° C), the control will modulate the outdoor-air dampers closed to maintain the proper supply-air temperature.

**Table 6 - CO<sub>2</sub> Sensor Standard Settings**

SETTING	EQUIPMENT	OUTPUT	VENTILATION RATE (cfm/Person)	ANALOG OUTPUT	CO <sub>2</sub> CONTROL RANGE (ppm)	OPTIONAL RELAY SETPOINT (ppm)	RELAY HYSTERESIS (ppm)
1	Interface w/ Standard Building Control System	Proportional	Any	0-10V 4-20mA	0-2000	1000	50
2		Proportional	Any	2-10V 7-20mA	0-2000	1000	50
3		Exponential	Any	0-10V 4-20mA	0-2000	1100	50
4	Economizer	Proportional	15	0-10V 4-20mA	0-1100	1100	50
5		Proportional	20	0-10V 4-20mA	0-900	900	50
6		Exponential	15	0-10V 4-20mA	0-1100	1100	50
7		Exponential	20	0-10V 4-20mA	0-900	900	50
8	Health & Safety	Proportional	--	0-10V 4-20mA	0-9999	5000	500
9	Parking/ Air Intakes/ Loading Docks	Proportional	--	0-10V 4-20mA	0-2000	700	50

**Table 7 - AIRFLOW DATA WITH ECONOMIZER, WET COIL AND 1 IN (25.4mm) FILTER**

Model Capacity	Unit Base	Motor Speed	Wire Color	External Static Pressure (in W.C.)									
				0.1	0.2	0.3	0.4	0.5	0.6	0.7	0.8	0.9	1.0
024	Composite	High	Black	952	902	859	815	781	730	662	587	-	-
024	Base Rails	High	Black	952	902	859	815	781	730	662	587	-	-
030	Composite	High	Black	952	902	859	815	781	730	662	587	-	-
030	Base Rails	High	Black	952	902	859	815	781	730	662	587	-	-
036*	Composite	High	Black	1333	1289	1256	1214	1152	1118	1076	1035	997	950
036*	Base Rails	High	Black	1333	1289	1256	1214	1152	1118	1076	1035	997	950

NOTE: Data in this table is derived from Dry Coil, Wet Coil, Economizer with 1-in. Filter and Filter Pressure Drop Table in unit Product Data.  
 \*Excluding 3 ton 14SEER HP & Dual Fuel Models

## TROUBLESHOOTING

See Table 8 for Economizer logic.

An Economizer simulator program is available to help with Economizer training and troubleshooting.

**Economizer Preparation** —This procedure is used to prepare the Economizer for troubleshooting. No troubleshooting or testing is done by performing the following procedure.

NOTE: This procedure requires a 9-v battery, 1.2 kilo-ohm resistor, and a 5.6 kilo-ohm resistor which are not supplied with the Economizer.

1. Disconnect power at TR and TR1. All LEDs should be off. Exhaust fan contacts should be open.
2. Disconnect device at P and P1.
3. Jumper P to P1.
4. Disconnect wires at T and T1. Place 5.6 kilo-ohm resistor across T and T1.
5. Jumper TR to 1.
6. Jumper TR to N.
7. If connected, remove sensor from terminals SO and +. Connect 1.2 kilo-ohm 4074EJM checkout resistor across terminals SO and +.
8. Put 620-ohm resistor across terminals SR and +.
9. Set minimum position, DCV set point, and exhaust potentiometers fully CCW (counterclockwise).
10. Set DCV maximum position potentiometer fully CW (clockwise).
11. Set enthalpy potentiometer to D.
12. Apply power (24 vac) to terminals TR and TR1.

**Differential Enthalpy** — To check differential enthalpy:

1. Make sure Economizer preparation procedure has been performed.
2. Place 620-ohm resistor across S<sub>o</sub> and +.
3. Place 1.2 kilo-ohm resistor across S<sub>r</sub> and +. The Free Cool LED should be lit.
4. Remove 620-ohm resistor across S<sub>o</sub> and +. The Free Cool LED should turn off.
5. Return Economizer settings and wiring to normal after completing troubleshooting.

**Single Enthalpy**—To check single enthalpy:

1. Make sure Economizer preparation procedure has been performed.
2. Set the enthalpy potentiometer to A (fully CCW). The Free Cool LED should be lit.
3. Set the enthalpy potentiometer to D (fully CW). The Free Cool LED should turn off.
4. Return Economizer settings and wiring to normal after completing troubleshooting.

**DCV (Demand Controlled Ventilation) and Power Exhaust**—

To check DCV and Power Exhaust:

1. Make sure Economizer preparation procedure has been performed.
2. Ensure terminals AQ and AQ1 are open. The LED for both DCV and Exhaust should be off. The actuator should be fully closed.
3. Connect a 9-v battery to AQ (positive node) and AQ1 (negative node). The LED for both DCV and Exhaust should turn on.  
The actuator should drive to between 90 and 95% open.
4. Turn the Exhaust potentiometer CW until the Exhaust LED turns off. The LED should turn off when the potentiometer is approximately 90%. The actuator should remain in position.
5. Turn the DCV set point potentiometer CW until the DCV LED turns off. The DCV LED should turn off when the potentiometer is approximately 9-v. The actuator should drive fully closed.
6. Turn the DCV and Exhaust potentiometers CCW until the Exhaust LED turns on. The exhaust contacts will close 30 to 120 seconds after the Exhaust LED turns on.
7. Return Economizer IV settings and wiring to normal after completing troubleshooting.

**DCV Minimum and Maximum Position** —To check the DCV minimum and maximum position:

1. Make sure Economizer preparation procedure has been performed.
2. Connect a 9-v battery to AQ (positive node) and AQ1 (negative node). The DCV LED should turn on. The actuator should drive to between 90 and 95% open.
3. Turn the DCV Maximum Position potentiometer to midpoint. The actuator should drive to between 20 and 80% open.
4. Turn the DCV Maximum Position potentiometer to fully CCW. The actuator should drive fully closed.
5. Turn the Minimum Position potentiometer to midpoint. The actuator should drive to between 20 and 80% open.
6. Turn the Minimum Position Potentiometer fully CW. The actuator should drive fully open.
7. Remove the jumper from TR and N. The actuator should drive fully closed.
8. Return Economizer settings and wiring to normal after completing troubleshooting.

**Supply-Air Input**—To check supply-air input:

1. Make sure Economizer preparation procedure has been performed.
2. Set the Enthalpy potentiometer to A. The Free Cool LED turns on. The actuator should drive to between 20 and 80% open.

3. Remove the 5.6 kilo-ohm resistor and jumper T to T1. The actuator should drive fully open.
4. Remove the jumper across T and T1. The actuator should drive fully closed.
5. Return Economizer settings and wiring to normal after completing troubleshooting.

**Economizer Troubleshooting Completion** —

This procedure is used to return the Economizer to operation. No troubleshooting or testing is done by performing the following procedure.

1. Disconnect power at TR and TR1.
2. Set enthalpy potentiometer to previous setting.
3. Set DCV maximum position potentiometer to previous setting. Set DCV Max potentiometer to fully closed (CCW) when not using a CO<sub>2</sub> sensor.
4. Set minimum position, DCV set point, and exhaust potentiometers to previous settings.
5. Remove 620-ohm resistor from terminals SR and +.
6. Remove 1.2 kilo-ohm checkout resistor from terminals SO and +. If used, reconnect sensor from terminals SO and +.
7. Remove jumper from TR to N.
8. Remove jumper from TR to 1.
9. Remove 5.6 kilo-ohm resistor from T and T1. Reconnect wires at T and T1.
10. Remove jumper from P to P1. Reconnect device at P and P1.
11. Apply power (24 vac) to terminals TR and TR1.

**Table 8 - Economizer Input/Output Logic**

INPUTS					OUTPUTS			
Demand Control Ventilation (DCV)	Enthalpy		Y1	Y2	Compressor		N Terminal	
	Outdoor	Return			Stage 1	Stage 2	Occupied	Unoccupied
Below set (DCV LED Off)	High (Free Cooling LED Off)	Low	On	On	On	On	Minimum position	Closed
			On	Off	On	Off		
			Off	Off	Off	Off		
	Low (Free Cooling LED On)	High	On	On	On	Off	Modulating** (between min. position and full-open)	Modulating** (between closed and full-open)
			On	Off	Off	Off		
			Off	Off	Off	Off	Minimum position	Closed
Above set (DCV LED On)	High (Free Cooling LED Off)	Low	On	On	On	On	Modulating (between min. position and DCV maximum)††	Modulating (between closed and DCV maximum)††
			On	Off	On	Off		
			Off	Off	Off	Off		
	Low (Free Cooling LED On)	High	On	On	On	Off	Modulating***	Modulating†††
			On	Off	Off	Off		
			Off	Off	Off	Off		

\*For single enthalpy control, the module compares outdoor enthalpy to the ABCD set point.

†Power at N terminal determines Occupied/Unoccupied setting: 24 vac (Occupied), now power (Unoccupied).

\*\*Modulating is based on the supply-air sensor signal.

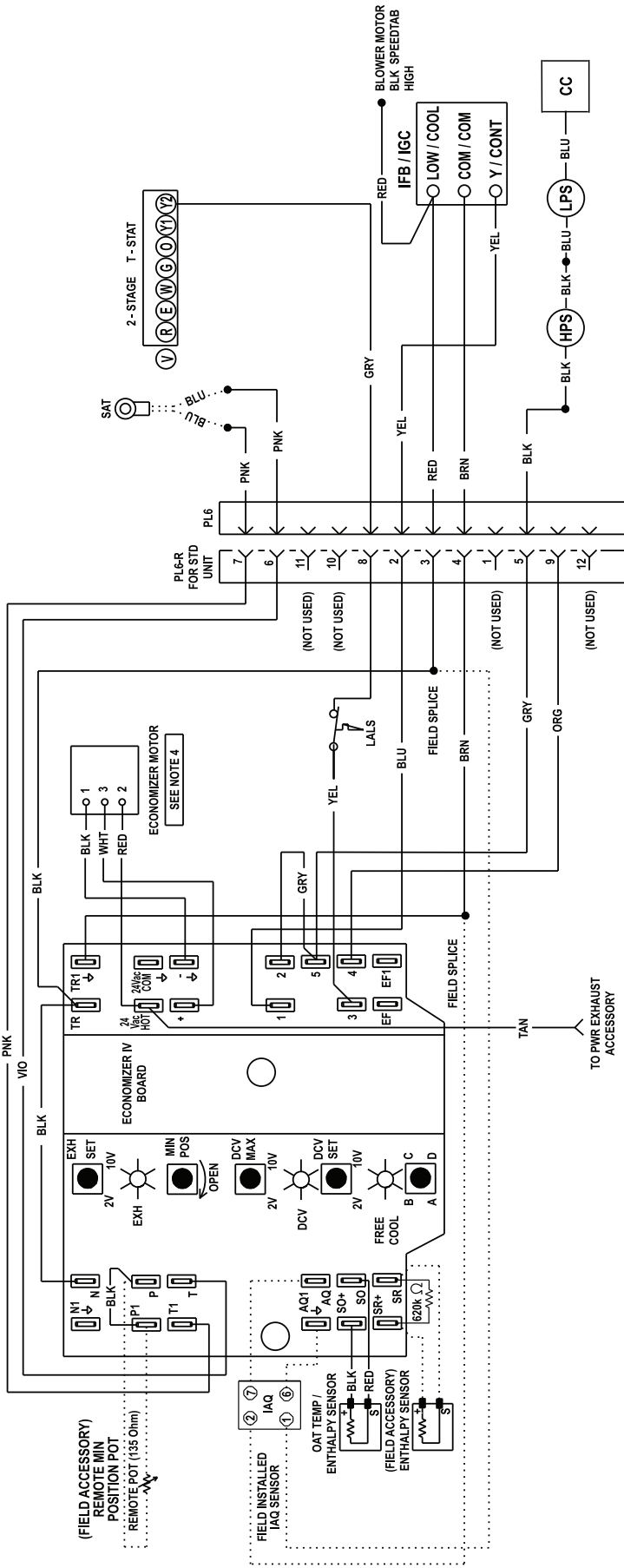
††Modulation is based on the DCV signal.

\*\*\*Modulation is based on the greater of DCV and supply-air sensor signals, between minimum position and either maximum position (DCV) or fully open (supply-air signal).

†††Modulating is based on the greater of DCV and supply-air sensor signals, between closed and wither maximum position (DCV) or fully open (supply-air signal).

# WIRING FOR AC AND GAS/ELECTRIC MODELS

**POTENTIOMETER DEFAULTS SETTINGS:**  
 POWER EXHAUST MIDDLE  
 MINIMUM POSS. 1/4 OPEN  
 DCV MAX. FULLY CLOSED  
 DCV SET. MIDDLE  
 ENTHALPHY C SETTING



**NOTES:**

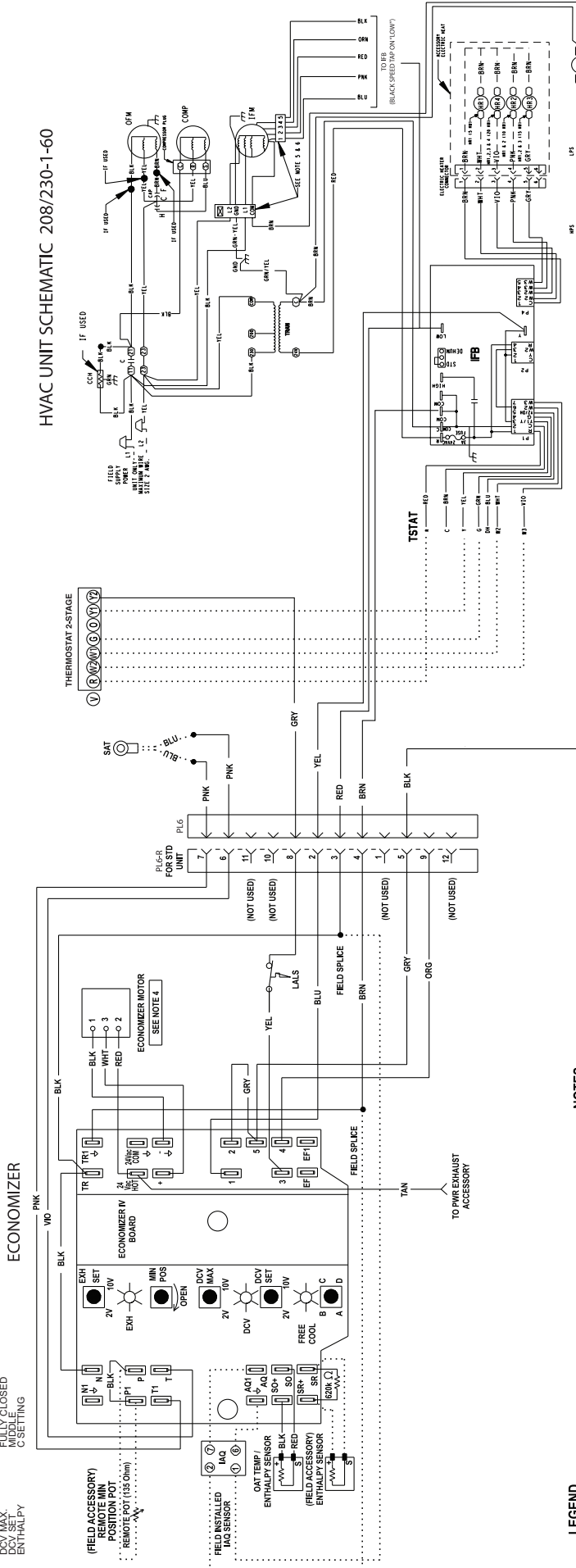
1. 620 OHM, 1 WATT 5% RESISTOR SHOULD BE REMOVED ONLY WHEN USING DIFFERENTIAL ENTHALPHY OR DRY BULB.
2. IF A SEPARATE FIELD SUPPLIED 24V TRANSFORMER IS USED FOR THE IAQ SENSOR POWER SUPPLY, IT CANNOT HAVE THE SECONDARY OF THE TRANSFORMER GROUNDED.
3. FOR FIELD INSTALLED REMOTE MINIMUM POSITION POT, REMOVE BLACK WIRE JUMPER BETWEEN P AND P1 AND SET CONTROL MINIMUM POSITION POT TO THE MINIMUM POSITION.
4. FOR VERTICAL ECONOMIZER THE ECONOMIZER MOTOR CONNECTIONS ARE AS SHOWN. FOR HORIZONTAL ECONOMIZER THE ECONOMIZER MOTOR IS ATTACHED TO THE ECONOMIZER IV BOARD. (THE WIRES SHOWN ARE NOT UTILIZED — BLK, WHT & RED)
5. WHEN NOT USING A CO2 SENSOR, THE DCV MAX POTENTIOMETER MUST BE COMPLETELY CLOSED (CCW) FOR THE MINIMUM POSITION POTENTIOMETER TO FUNCTION CORRECTLY.

**LEGEND**

- SPlice
- FACTORY WIRING
- ..... FIELD OR ACCESSORY CONTROL WIRING
- C COMPRESSOR CONTACTOR
- DVC DEMAND CONTROLLED VENTILATION
- HPS HIGH PRESSURE SWITCH
- IAQ INDOOR AIR QUALITY SENSORS
- IFB INDOOR FAN BOARD
- IGC INTEGRATED GAS UNIT CONTROLLER (WITH FAN CONTROL BUILT-IN)
- LALS LOW TEMPERATURE COMPRESSOR LOCKOUT SWITCH
- LPS LOW PRESSURE SWITCH
- OAT OUTDOOR AIR TEMPERATURE SENSOR
- POT POTENTIOMETER
- SAT SUPPLY AIR TEMPERATURE SENSOR

# ECONOMIZER WIRING FOR A/C MODELS FOR 208/230V 1PH UNITS

**POTENTIOMETER DEFAULT SETTINGS:**  
 MIDDLE  
 POWER EXHAUST FULLY CLOSED  
 DCV MAX POSS.  
 MIDDLE  
 C-SETTING



HVAC UNIT SCHEMATIC 208/230-1-60

**NOTES:**

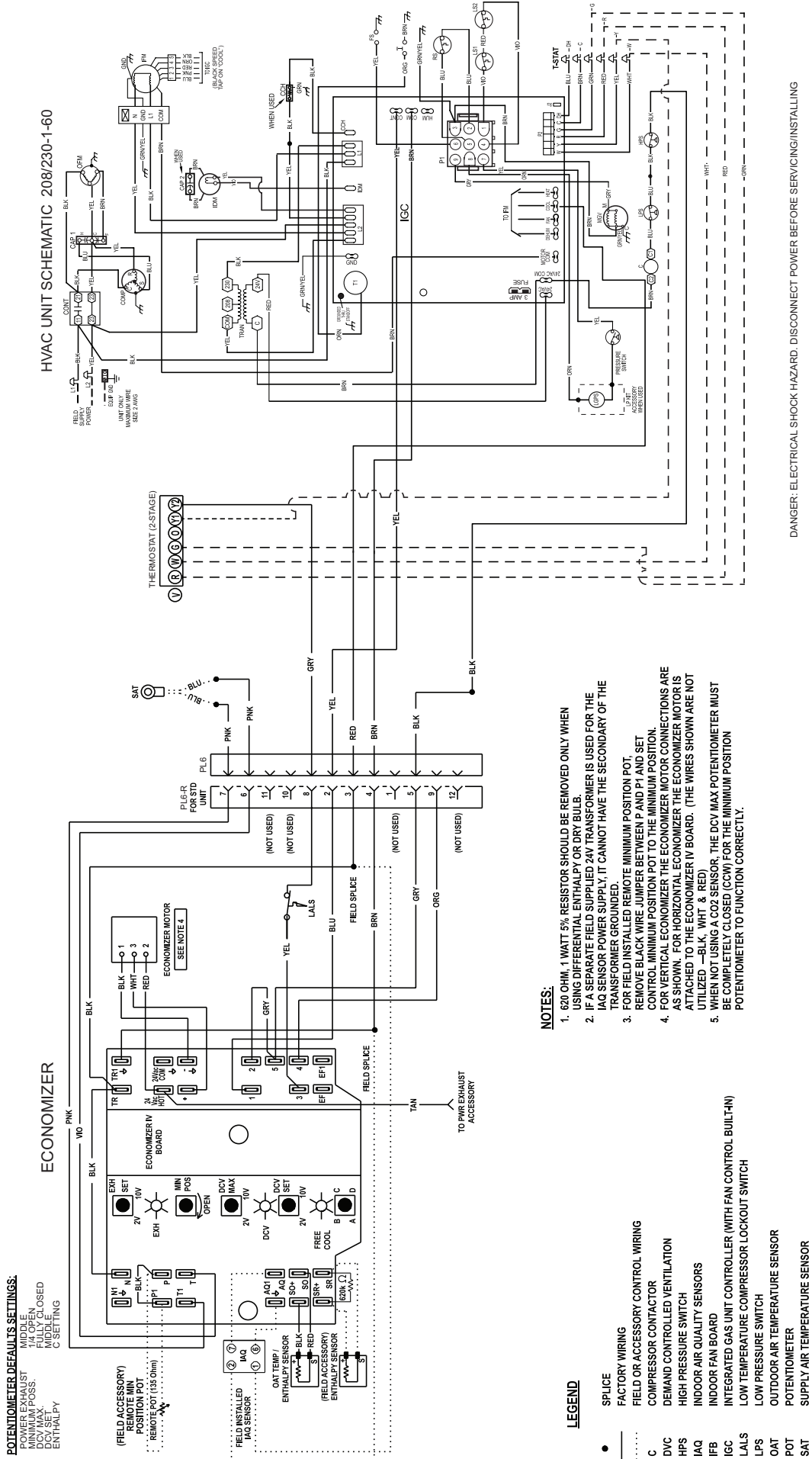
- 620 OHM 1 WATT 5% RESISTOR SHOULD BE REMOVED ONLY WHEN USING DIFFERENT ENTHALPY OR DRY BULB.
- IF A SEPARATE FIELD SUPPLIED 24V TRANSFORMER IS USED FOR THE IAQ SENSOR POWER SUPPLY, IT CANNOT HAVE THE SECONDARY OF THE TRANSFORMER GROUNDED.
- FOR FIELD INSTALLED REMOTE MINIMUM POSITION POT, REMOVE BLACK WIRE JUMPER BETWEEN P AND P1 AND SET CONTROL MINIMUM POSITION POT TO THE MINIMUM POSITION.
- FOR VERTICAL ECONOMIZER THE ECONOMIZER MOTOR CONNECTIONS ARE AS SHOWN. FOR HORIZONTAL ECONOMIZER THE ECONOMIZER MOTOR IS ATTACHED TO THE ECONOMIZER IV BOARD. (THE WIRES SHOWN ARE NOT UTILIZED - BLK, WHT & RED)
- WHEN NOT USING A CO2 SENSOR, THE DCV MAX POTENTIOMETER MUST BE COMPLETELY CLOSED (CCW) FOR THE MINIMUM POSITION POTENTIOMETER TO FUNCTION CORRECTLY.

**LEGEND:**

- SPICE
- FACTORY WIRING
- ..... FIELD OR ACCESSORY CONTROL WIRING
- C COMPRESSOR CONTACTOR
- DVC DEMAND CONTROLLED VENTILATION
- HPS HIGH PRESSURE SWITCH
- IAQ INDOOR AIR QUALITY SENSORS
- IFB INTEGRATED GAS UNIT CONTROLLER (WITH FAN CONTROL BUILT-IN)
- ICC INDOOR FAN BOARD
- LALS LOW TEMPERATURE COMPRESSOR LOCKOUT SWITCH
- LPS LOW PRESSURE SWITCH
- OAT OUTDOOR AIR TEMPERATURE SENSOR
- POT POTENTIOMETER
- SAT SUPPLY AIR TEMPERATURE SENSOR

DANGER: ELECTRICAL SHOCK HAZARD. DISCONNECT POWER BEFORE SERVICING/INSTALLING

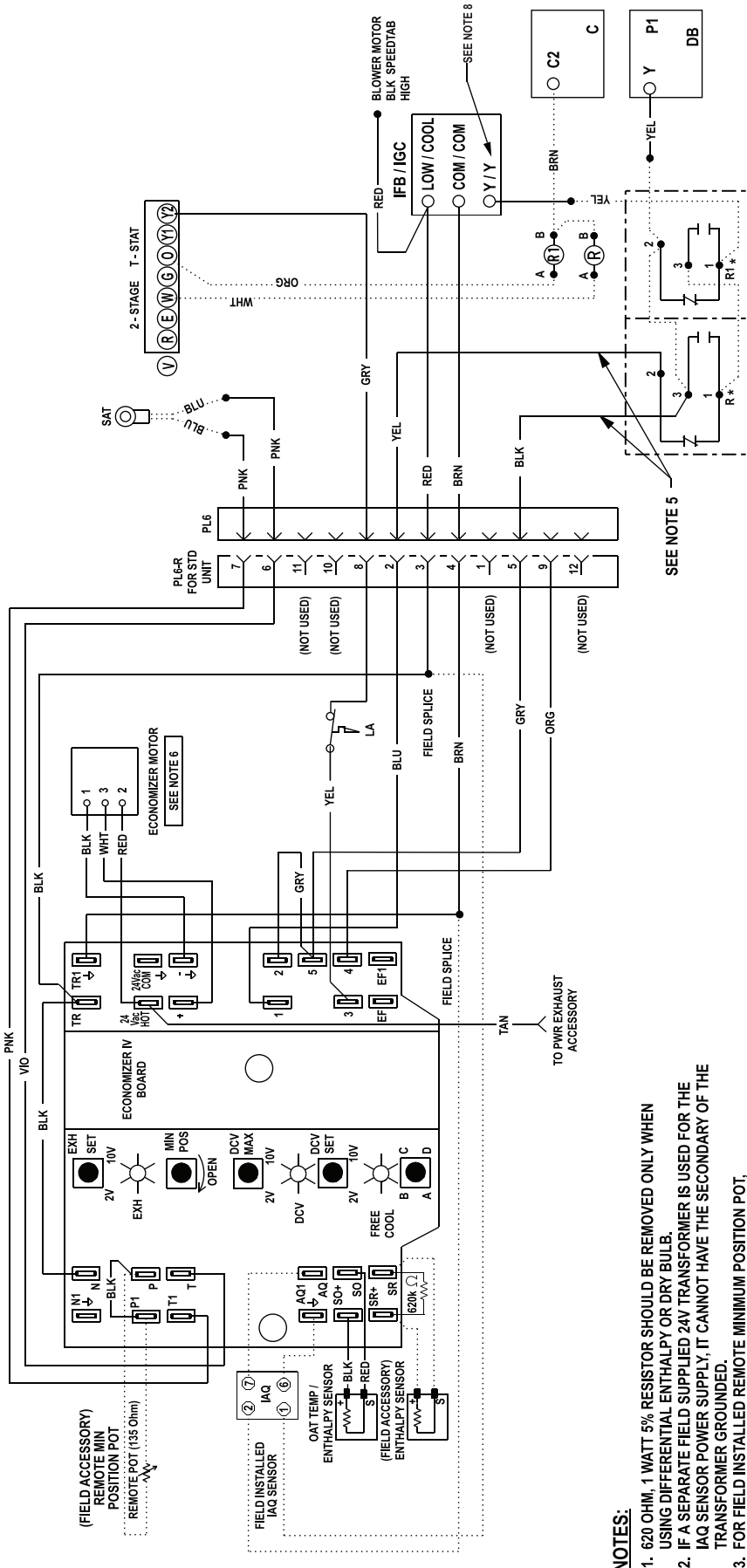
# ECONOMIZER WIRING FOR GAS/ELECTRIC A/C MODELS FOR 208/230V 1PH UNITS



DANGER: ELECTRICAL SHOCK HAZARD. DISCONNECT POWER BEFORE SERVICING/INSTALLING

# WIRING FOR HEAT PUMP AND DUAL FUEL MODELS

**POTENTIOMETER DEFAULTS SETTINGS:**  
 MIDDLE  
 1/4 OPEN  
 MINIMUM POSS.  
 FULLY CLOSED  
 FULLY OPEN  
 MIDDLE  
 MIDDLE  
 C SETTING



## LEGEND

- SPICE
- FACTORY WIRING
- ..... FIELD OR ACCESSORY CONTROL WIRING
- C COMPRESSOR CONTACTOR
- DB DEFRIST BOARD
- IAQ INDOOR AIR QUALITY SENSORS
- IFB INDOOR FAN BOARD
- IGC INTEGRATED GAS UNIT CONTROLLER (WITH FAN CONTROL BUILT-IN)
- LA LOW AMBIENT LOCKOUT
- OAT OUTDOOR AIR TEMPERATURE SENSOR
- POT POTENTIOMETER
- R RELAY (FOR HPS)
- R1 RELAY (FOR HPS)
- SAT SUPPLY AIR TEMPERATURE SENSOR

## NOTES:

1. 620 OHM, 1 WATT 5% RESISTOR SHOULD BE REMOVED ONLY WHEN USING DIFFERENTIAL ENTHALPY OR DRY BULB.
2. IF A SEPARATE FIELD SUPPLIED 24V TRANSFORMER IS USED FOR THE IAQ SENSOR POWER SUPPLY, IT CANNOT HAVE THE SECONDARY OF THE TRANSFORMER GROUNDED.
3. FOR FIELD INSTALLED REMOTE MINIMUM POSITION POT REMOVE BLACK WIRE JUMPER BETWEEN P AND P1 AND SET CONTROL MINIMUM POSITION POT TO THE MINIMUM POSITION.
4. FOR HEAT PUMP UNITS THE AVAILABLE RELAY PACKAGE CPLYKIT001A00 CAN BE ORDERED AND FIELD INSTALLED. CONTRACTOR MAY PROVIDE RELAYS AND WIRE ACCORDING TO THIS DIAGRAM. RELAYS MUST BE:
  - SPDT ONE POLE NORMALLY OPEN. ONE POLE NORMALLY CLOSED.
  - SAME POLARITY. MINIMUM 125VA INRUSH.
5. WIRING FACTORY INSTALLED. FIELD CONNECTION TO AVAILABLE RELAY KIT OR FIELD SUPPLIED RELAYS REQUIRED.
6. FOR VERTICAL ECONOMIZER THE ECONOMIZER MOTOR CONNECTIONS ARE AS SHOWN. FOR HORIZONTAL ECONOMIZER THE ECONOMIZER MOTOR IS ATTACHED TO THE ECONOMIZER IV BOARD. (THE WIRES SHOWN ARE NOT UTILIZED --- BLK, WHT & RED)
7. WHEN NOT USING A CO2 SENSOR, THE DCV MAX POTENTIOMETER MUST BE COMPLETELY CLOSED (CCW) FOR THE MINIMUM POSITION POTENTIOMETER TO FUNCTION CORRECTLY.
8. DISCONNECT YELLOW WIRE ON "CONT" TERMINAL ON IGC BOARD AND APPLY ELECTRICAL TAPE OVER QUICK CONNECT ON YELLOW WIRE. IF NO "CONT" TERMINAL ON IGC BOARD, DISREGARD.

\* R AND R1 RELAYS ARE PART OF THE AVAILABLE CPLYKIT001A00 RELAY KIT OR CAN BE FIELD PROVIDED AND INSTALLED.

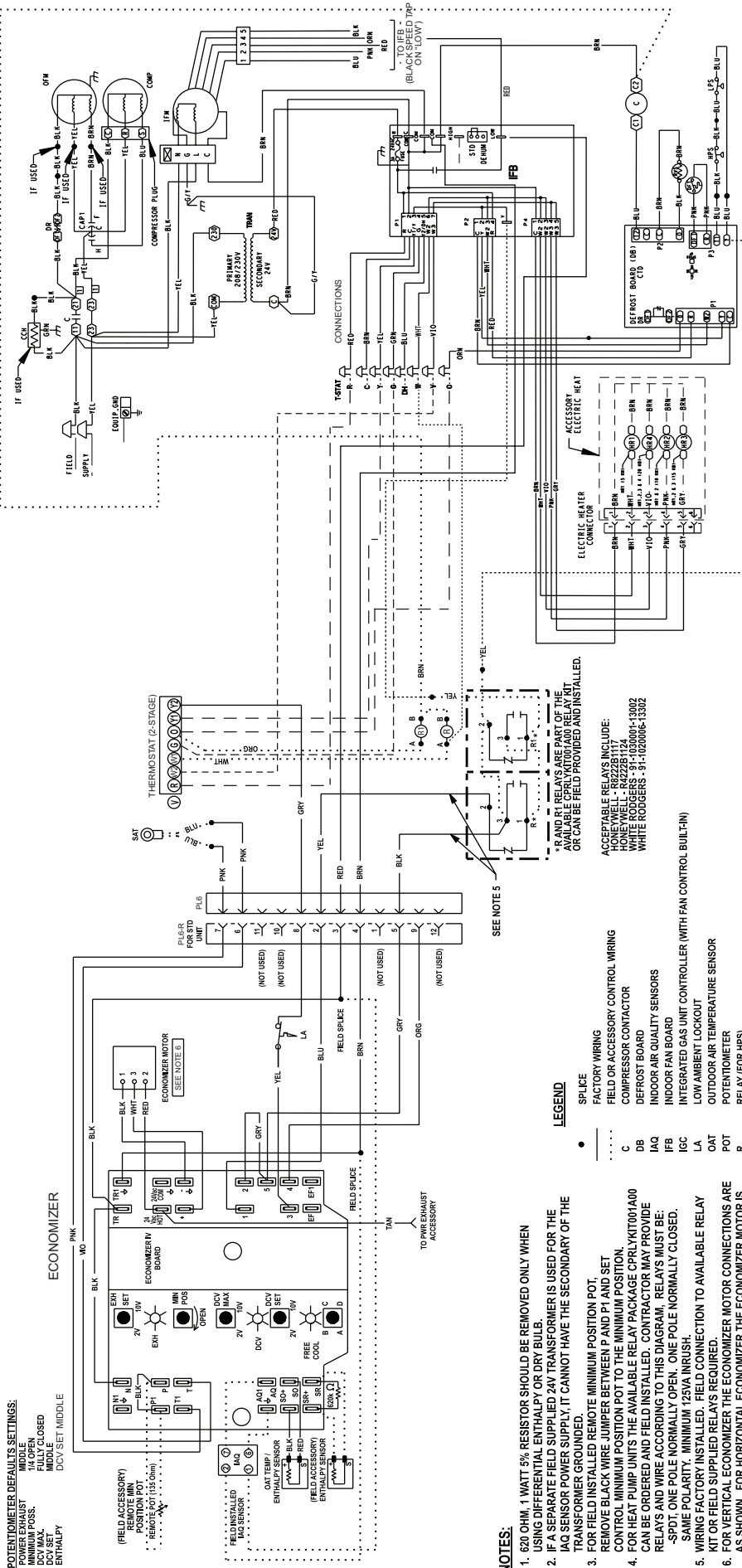
ACCEPTABLE RELAYS INCLUDE:  
 HONEYWELL - R8222B117  
 HONEYWELL - R4222B1124  
 WHITE RODGERS - 91-1030001-13002  
 WHITE RODGERS - 91-1020006-13302





# ECONOMIZER WIRING FOR HEAT PUMP MODELS FOR 208/230V 1PH UNITS

HVAC UNIT SCHEMATIC 208/230-1-60



POTENTIOMETER DEFAULT SETTINGS:  
 POWER EXHAUST MIDDLE  
 FAN MIDDLE  
 FULLY CLOSED  
 MIDDLE  
 DCV SET MIDDLE  
 ENTHALPY

ECONOMIZER

(FIELD ACCESSORY)  
 REMOTE MIN POSITION POT.  
 REMOTE MAX POSITION POT.  
 REMOTE MIN POSITION POT.  
 REMOTE MAX POSITION POT.

FIELD ACCESSORY ENTHALPY

FIELD ACCESSORY ENTHALPY

FIELD ACCESSORY ENTHALPY

FIELD ACCESSORY ENTHALPY

FIELD ACCESSORY ENTHALPY

FIELD ACCESSORY ENTHALPY

FIELD ACCESSORY ENTHALPY

FIELD ACCESSORY ENTHALPY

FIELD ACCESSORY ENTHALPY

FIELD ACCESSORY ENTHALPY

FIELD ACCESSORY ENTHALPY

FIELD ACCESSORY ENTHALPY

FIELD ACCESSORY ENTHALPY

FIELD ACCESSORY ENTHALPY

FIELD ACCESSORY ENTHALPY

FIELD ACCESSORY ENTHALPY

FIELD ACCESSORY ENTHALPY

FIELD ACCESSORY ENTHALPY

FIELD ACCESSORY ENTHALPY

FIELD ACCESSORY ENTHALPY

FIELD ACCESSORY ENTHALPY

FIELD ACCESSORY ENTHALPY

FIELD ACCESSORY ENTHALPY

FIELD ACCESSORY ENTHALPY

FIELD ACCESSORY ENTHALPY

FIELD ACCESSORY ENTHALPY

FIELD ACCESSORY ENTHALPY

FIELD ACCESSORY ENTHALPY

FIELD ACCESSORY ENTHALPY

FIELD ACCESSORY ENTHALPY

FIELD ACCESSORY ENTHALPY

FIELD ACCESSORY ENTHALPY

FIELD ACCESSORY ENTHALPY

## NOTES:

- 620 OHM, 1 WATT 5% RESISTOR SHOULD BE REMOVED ONLY WHEN USING DIFFERENTIAL ENTHALPY OR DRY BULB.
- IF A SEPARATE FIELD SUPPLY 24V TRANSFORMER IS USED FOR THE IAQ SENSOR POWER SUPPLY, IT CANNOT HAVE THE SECONDARY OF THE TRANSFORMER GROUNDED.
- FOR FIELD INSTALLED REMOTE MINIMUM POSITION POT. REMOVE BLACK WIRE JUMPER BETWEEN P AND P1 AND SET CONTROL MINIMUM POSITION POT TO THE MINIMUM POSITION.
- FOR HEAT PUMP UNITS THE AVAILABLE RELAY PACKAGE CPRLYKT001A00 CAN BE ORDERED AND FIELD INSTALLED. CONTRACTOR MAY PROVIDE RELAYS AND WIRE ACCORDING TO THIS DIAGRAM. RELAYS MUST BE:
  - SPDT, ONE POLE NORMALLY OPEN, ONE POLE NORMALLY CLOSED, SAME POLARITY, MINIMUM 125VA INRUSH.
- WIRING FACTORY INSTALLED. FIELD CONNECTION TO AVAILABLE RELAY KIT OR FIELD SUPPLIED RELAYS REQUIRED.
- FOR VERTICAL ECONOMIZER THE ECONOMIZER MOTOR CONNECTIONS ARE AS SHOWN. FOR HORIZONTAL ECONOMIZER THE ECONOMIZER MOTOR IS ATTACHED TO THE ECONOMIZER IV BOARD. (THE WIRES SHOWN ARE NOT UTILIZED --- BLK, WHT & RED)
- WHEN NOT USING A CO2 SENSOR, THE DCV MAX POTENTIOMETER MUST BE COMPLETELY CLOSED (CCW) FOR THE MINIMUM POSITION POTENTIOMETER TO FUNCTION CORRECTLY.

## LEGEND

- SPLICE
- FACTORY WIRING
- FIELD OR ACCESSORY CONTROL WIRING
- COMPRESSOR CONTACTOR
- DEFROST BOARD
- INDOOR AIR QUALITY SENSORS
- INDOOR FAN BOARD
- INTEGRATED GAS UNIT CONTROLLER (WITH FAN CONTROL BUILT-IN)
- LOW AMBIENT LOCKOUT
- OAT
- POTENTIOMETER
- RELAY (FOR HPS)
- R1
- SAT
- SUPPLY AIR TEMPERATURE SENSOR

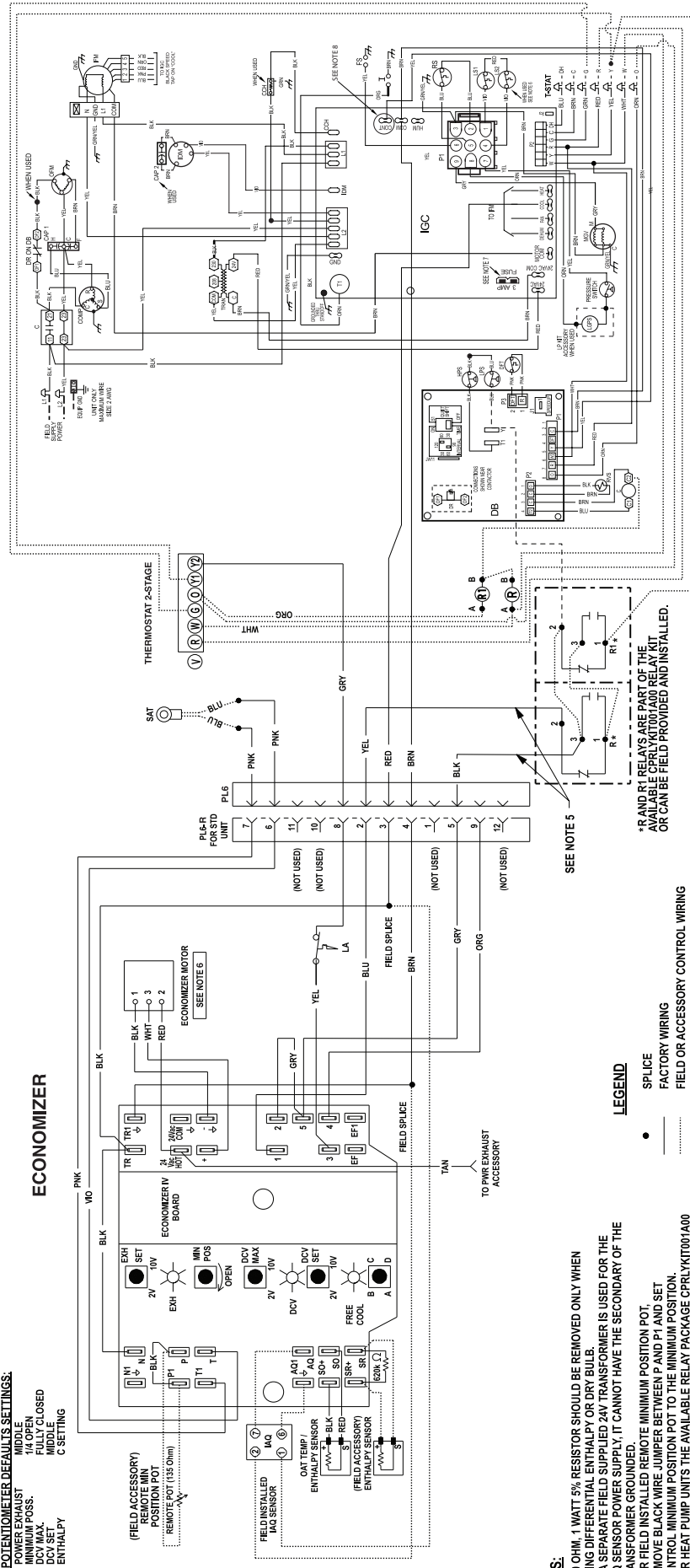
ACCEPTABLE RELAYS INCLUDE:  
 AVAILABLE CPRLYKT001A00 RELAY KIT  
 HONEYWELL - 8422Z81124  
 WHITE RODGERS - 91-030001-13002  
 WHITE RODGERS - 91-020006-13302

\* R1 AND R1 RELAYS ARE PART OF THE AVAILABLE CPRLYKT001A00 RELAY KIT OR CAN BE FIELD PROVIDED AND INSTALLED.

DANGER: ELECTRICAL SHOCK HAZARD. DISCONNECT POWER BEFORE SERVICING/INSTALLING

# ECONOMIZER WIRING FOR DUAL FUEL MODELS FOR 208/230V 1PH UNITS

HVAC UNIT SCHEMATIC 208/230-1-60



ACCEPTABLE RELAYS INCLUDE:  
 HONEYWELL - R4222B117  
 HONEYWELL - R4222B124  
 HONEYWELL - R4222B125  
 WHITE RODGERS - 91-102006-1302

DANGER: ELECTRICAL SHOCK HAZARD. DISCONNECT POWER BEFORE SERVICING/INSTALLING

\*R AND R1 RELAYS ARE PART OF THE AVAILABLE CPRLVKT001A00 RELAY KIT OR CAN BE FIELD PROVIDED AND INSTALLED.

### LEGEND

- SPLICE
- FACTORY WIRING
- FIELD OR ACCESSORY CONTROL WIRING
- C COMPRESSOR CONTACTOR
- DB DEFROST BOARD
- IAQ INDOOR AIR QUALITY SENSORS
- IGB INDOOR GAS BOARD
- IGC INTEGRATED GAS UNIT CONTROLLER (WITH FAN CONTROL BUILT-IN)
- LA LOW AMBIENT LOCKOUT
- OAT OUTDOOR AIR TEMPERATURE SENSOR
- POT POTENTIOMETER
- R RELAY (FOR HPS)
- R1 RELAY (FOR HPS)
- SAT SUPPLY AIR TEMPERATURE SENSOR

- NOTES:**
- 620 OHM, 1 WATT 5% RESISTOR SHOULD BE REMOVED ONLY WHEN USING DIFFERENTIAL ENTHALPY OR DRY BULB.
  - IF A SEPARATE FIELD SUPPLIED 24V TRANSFORMER IS USED FOR THE IAQ SENSOR POWER SUPPLY, IT CANNOT HAVE THE SECONDARY OF THE TRANSFORMER GROUNDED.
  - FOR FIELD INSTALLED REMOTE MINIMUM POSITION POT, REMOVE BLACK WIRE JUMPER BETWEEN P AND P1 AND SET CONTROL MINIMUM POSITION POT TO THE MINIMUM POSITION.
  - FOR HEAT PUMP UNITS THE AVAILABLE RELAY PACKAGE CPRLVKT001A00 CAN BE ORDERED AND FIELD INSTALLED. CONTRACTOR MAY PROVIDE RELAYS AND WIRE ACCORDING TO THIS DIAGRAM. RELAYS MUST BE:
    - SPDT, ONE POLE, NORMALLY OPEN, ONE POLE NORMALLY CLOSED, SAME POLARITY, MINIMUM 125VA INRUSH.
  - WIRING FACTORY INSTALLED, FIELD CONNECTION TO AVAILABLE RELAY KIT OR FIELD SUPPLIED RELAYS REQUIRED.
  - FOR VERTICAL ECONOMIZER THE ECONOMIZER MOTOR CONNECTIONS ARE AS SHOWN. FOR HORIZONTAL ECONOMIZER THE ECONOMIZER MOTOR IS ATTACHED TO THE ECONOMIZER IV BOARD. (THE WIRES SHOWN ARE NOT UTILIZED) - BLK, WHT & RED.
  - WHEN NOT USING A CO2 SENSOR, THE DCV MAX POTENTIOMETER MUST BE COMPLETELY CLOSED (CCW) FOR THE MINIMUM POSITION POTENTIOMETER TO FUNCTION CORRECTLY.
  - DISCONNECT YELLOW WIRE ON "CONT" TERMINAL ON IGC BOARD AND APPLY ELECTRICAL TAPE OVER QUICK CONNECT ON YELLOW WIRE, IF "NO" CONT" TERMINAL ON IGC BOARD, DISREGARD.