

Installation Instructions

NOTE: Read the entire instruction manual before starting the installation.

SAFETY CONSIDERATIONS

Improper installation, adjustment, alteration, service, maintenance, or use can cause explosion, fire, electrical shock, or other conditions which may cause death, personal injury, or property damage. Consult a qualified installer, service agency, or your distributor or branch for information or assistance. The qualified installer or agency must use factory-authorized kits or accessories when modifying this product. Refer to the individual instructions packaged with the kits or accessories when installing.

Follow all safety codes. Wear safety glasses, protective clothing, and work gloves. Use quenching cloth for brazing operations. Have fire extinguisher available. Read these instructions thoroughly and follow all warnings or cautions included in literature and attached to the unit. Consult local building codes and current editions of the National Electrical Code (NEC) NFPA 70. In Canada, refer to current editions of the Canadian electrical code CSA 22.1.

Recognize safety information. This is the safety-alert symbol ⚠. When you see this symbol on the unit and in instructions or manuals, be alert to the potential for personal injury.

Understand the signal words DANGER, WARNING, and CAUTION. These words are used with the safety-alert symbol. DANGER identifies the most serious hazards which **will** result in severe personal injury or death. WARNING signifies hazards which **could** result in personal injury or death. CAUTION is used to identify unsafe practices which **may** result in minor personal injury or product and property damage. NOTE is used to highlight suggestions which **will** result in enhanced installation, reliability, or operation.

⚠ WARNING

ELECTRICAL SHOCK HAZARD

Failure to follow this warning could result in personal injury or death.

Before beginning any installation or modification, be sure the main electrical disconnect switch is in the OFF position. TAG THE DISCONNECT SWITCH WITH A SUITABLE WARNING LABEL

⚠ CAUTION

UNIT DAMAGE HAZARD

Failure to follow this caution may result in compressor damage.

NEVER turn unit on its top or side to install support feet.

⚠ CAUTION

UNIT DAMAGE HAZARD

Failure to follow this caution may result in unit damage.

To avoid damage to electrical connections and refrigerant braze joints, support feet should be installed prior to unit hookup.

⚠ CAUTION

CUT HAZARD

Failure to follow this caution may result in personal injury.

Sheet metal parts may have sharp edges or burrs. Use care and wear appropriate protective clothing and gloves when handling parts.

INTRODUCTION

These instructions cover the installation of unit mounting support feet for split system air conditioners and heat pumps.

INSTALLATION

NOTE: Make sure unit is on a level, stable mounting pad before installing support feet.

1. Support unit completely before installing support feet.
2. Remove support feet from carton and paper from gasket located on top of support feet (see Fig. 1).
3. Position support feet at specified locations of base pan (see Figs. 2 - 6). Apply pressure to ensure proper adhesion to base pan.
4. Lower unit back onto the mounting pad, being careful not to twist unit.

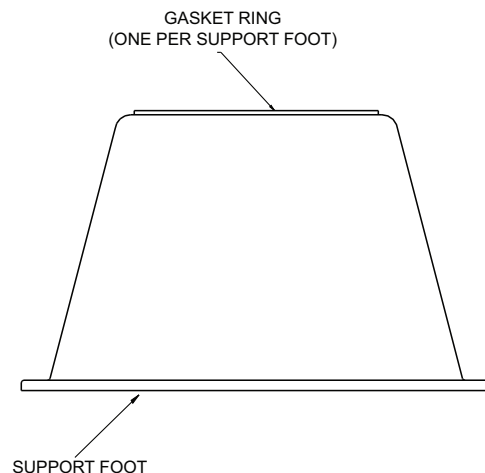
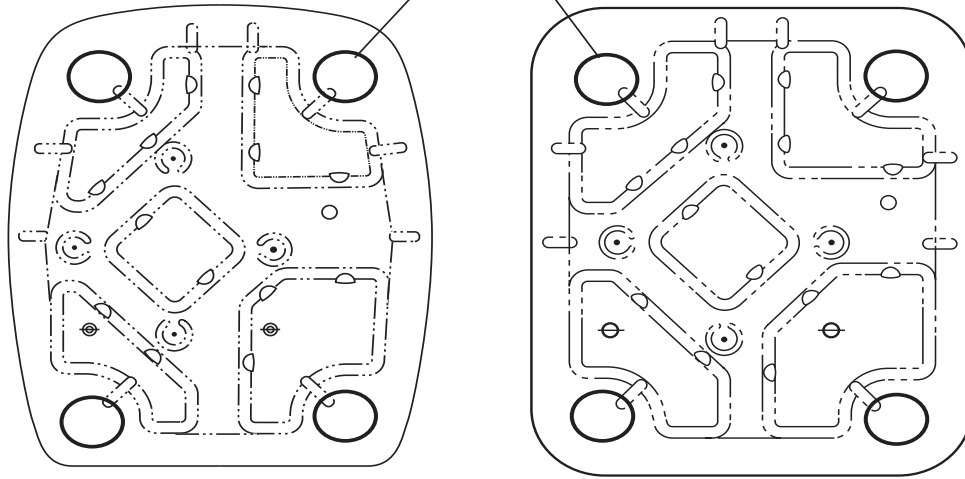


Fig. 1 — Support Feet Assembly

Place Mounting Feet in Corners



**Fig. 2 — Pre 2006 Unit Examples KSASF0101AAA
Unit Mounting Pattern**

A14017

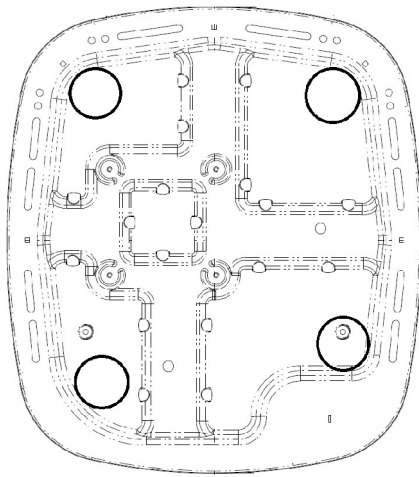
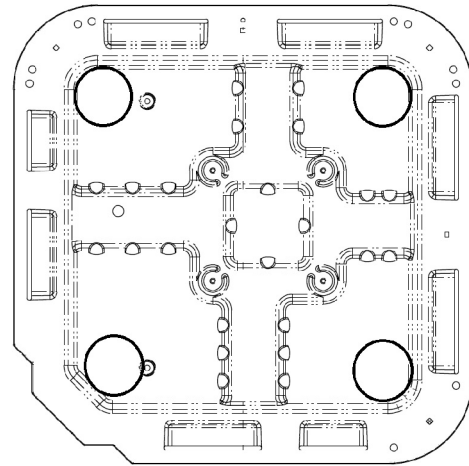


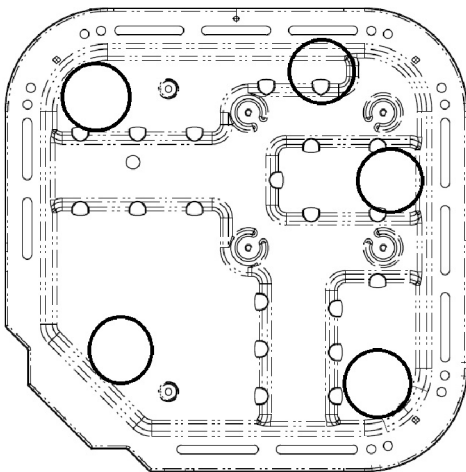
Fig. 3 — Post 2006 KSASF0101AAA - Deluxe 3-sided

A14009



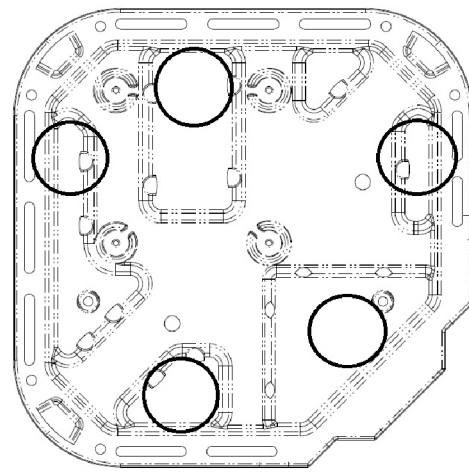
**Fig. 4 — Post 2006 KSASF0101AAA
Medium (31-1/4" length and width)
Large (35" length and width)**

A14008



**Fig. 5 — Post 2006 KSASF0201AAA
Mini (23-1/8" length and width)
Small (25-3/4" length and width)**

A14010



**Fig. 6 — Post 2006 KSASF0201AAA
Alt Cube (22-1/2" length and width)**

A14007