

POWER-STRUT® Solar Installation Products

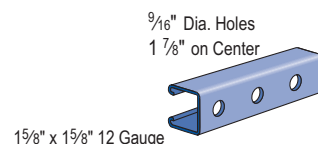
Application Showcase



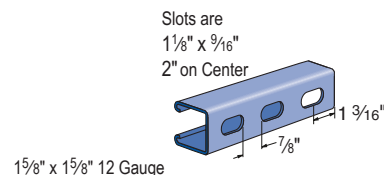
- Integral Family of Products
- Fast Installation
- Nationwide Customer Service
- Material & Labor Savings

www.alliedeg.com

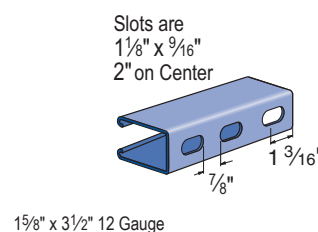
PS 200 H Channel



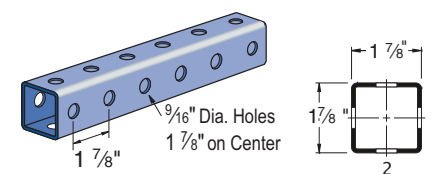
PS 200 EH Channel



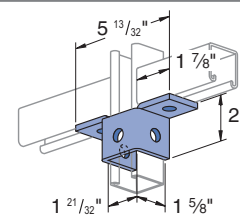
PS 100 EH Channel



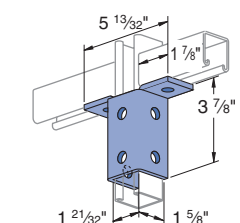
PS 9200 Tube



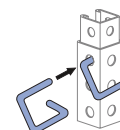
PS 923 Wing Shape Fitting



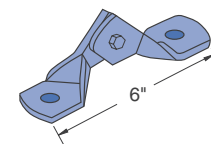
PS 821 Wing Shape Fitting



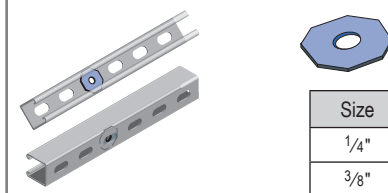
PS 9209 Gravity Pin



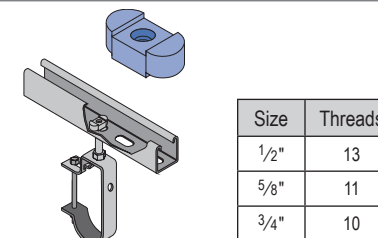
PS 9402 Adj. Hinge Connection



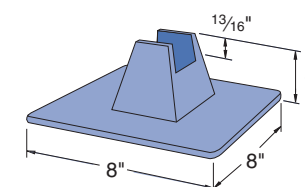
PS 231 Slot Adapter



PS ML Missing Link Fastener



Power Pier



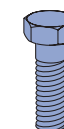
The Power Pier Rooftop support system provides a simple and versatile way to support and manage pipe, tubing, conduit, HVAC systems, and the like. The Power Pier system supports without roof surface penetration and allows the parts to remain off the surface.

PS 83 Hex Nut



Size
1/4"
3/8"
1/2"
5/8"
3/4"

PS 6024 Hex Head Screw



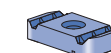
Size
1/4 x 3/4"
1/4 x 1"
1/4 x 1 1/4"
1/4 x 1 1/2"
3/8 x 3/4"
3/8 x 1"
3/8 x 1 1/4"
3/8 x 1 1/2"
3/8 x 2"
1/2 x 3/4"
1/2 x 1"
1/2 x 1 1/4"
1/2 x 1 1/2"
1/2 x 1 3/4"
1/2 x 2"

PS 209 Flat Washer



Size
1/4"
3/8"
1/2"

PS NS Channel Nut



Size	Threads
#8-32	32*
#10-32	32*
#10-24	24*
1/4"	20*
5/16"	18*
3/8"	16*
1/2"	13

Use With:
PS 100, PS 150, PS 200, PS 210 and PS 300 channel.

*Can be used with:
PS 400, PS 500, PS 520 and PS 560 channel.

• POWER-STRUT® 16100 S. Lathrop Avenue, Harvey, IL 60426 Tel. 708-339-0610 800-882-5543 Fax 708-339-0615

Electrical & Support Division

www.alliedeg.com

• Power-Strut® & Unistrut® Metal & Fiberglass Framing • Allied Tube & Conduit® • AFC Cable Systems® • Cope™ Cable Tray

The trademarks, logos, and service marks displayed on this brochure are owned or licensed by Tyco International Ltd., or its subsidiaries, affiliates, and others (collectively "Trademarks"). All Trademarks not owned by Tyco International Ltd. are the property of their respective owners, and are used with permission or allowed under applicable laws.

© 2009-10 Tyco International Ltd. All Rights Reserved US-L-7000-1005

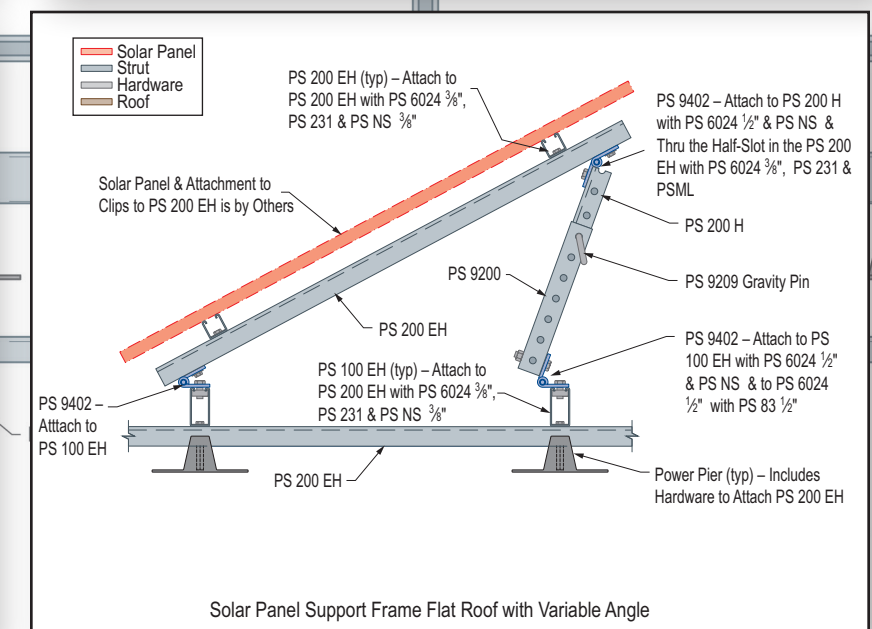
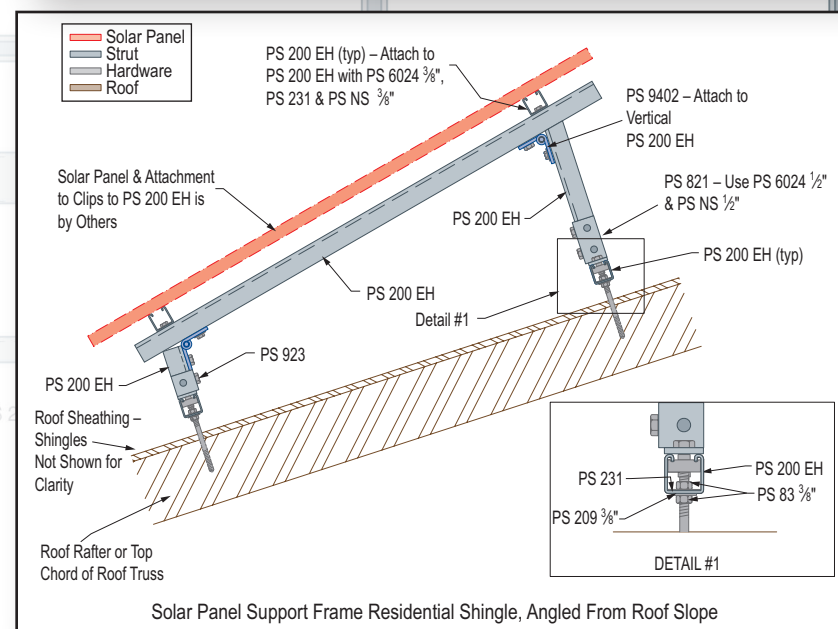
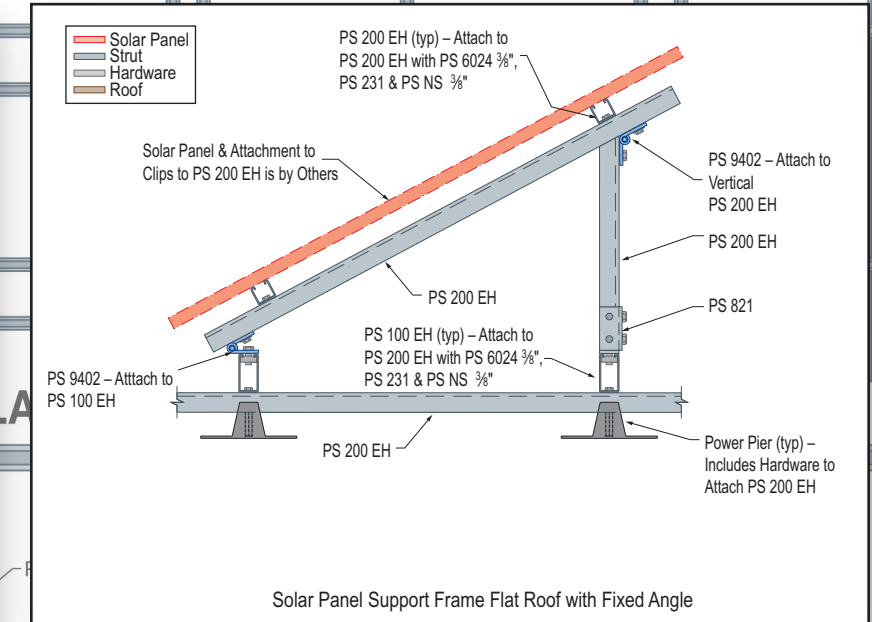
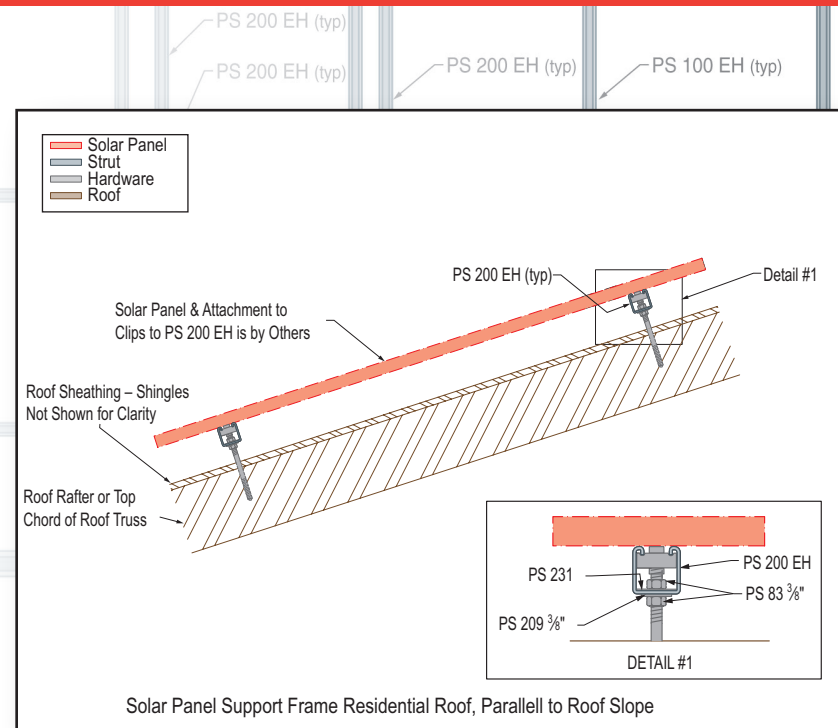


POWER-STRUT® Solar Installation Products

Steel Adjustable Framing Products & Accessories for Solar Installations



POWER-STRUT®



Channels, Fittings, & Accessories

Electrical Raceway Components

Concrete Inserts

Cush-A-Clamps®

Power-Angles™

Fiberglass Channel & Accessories

The Power to Build!

The present line of Power-Strut continuous slot metal framing is the result of over one half century of experience in metal framing.

This complete line includes channels, fittings and accessories for any framing or support solution... large or small, heavy or light.

Power-Strut is proud of the exacting standards of research, design, engineering and manufacturing that go into production of the Power-Strut system.

Please visit us at www.alliedeg.com

To see our complete product offering.

Allied Tube & Conduit Electrical Products

We supply a full line of steel electrical metallic tubing, intermediate metal conduit and hot dipped galvanized rigid conduit; aluminum rigid conduit; and PVC conduit to help you with the widest variety of conduit applications.

Power-Strut can handle your solar needs:

- Metal Framing Systems
- Rooftop Supports
- RoofWalk Rooftop
- Telescopic Tubing

Telescopic Tubing

The new PS 9000 telescoping tubing is a perfect complement to the Power-Strut Framing Systems. It's the only telescoping system that offers both infinite and incremental adjustability.

POWER-STRUT®

Solar Installation Products