



High-Efficiency  
Gas Furnaces

---

UP TO  
**96%**  
AFUE

---



SINCE 1914, WE'VE BEEN DELIVERING ON OUR PROMISE TO CREATE SENSIBLE, AFFORDABLE PRODUCTS THAT DO WHAT YOU NEED THEM TO WHEN YOU NEED THEM TO. BECAUSE THE BOTTOM LINE IS YOU JUST NEED A FURNACE – AN APPLIANCE TO HEAT YOUR HOME WITH GREAT EFFICIENCY. HOMEOWNERS WHO CHOOSE PAYNE ARE DELIGHTED IN THEIR DECISION BECAUSE IT IS SUCH A SENSIBLE CHOICE THAT SAVES THEM MONEY AT THE PURCHASE, AND KEEPS PERFORMING WINTER AFTER WINTER.



*Right for you.*

## OUR PROMISES

### *The Well-Built Warranty.*

Every furnace we build is covered with a 10-year parts limited warranty to the original owner of the properly registered product.\* The heat exchanger is covered by a 20-year parts limited warranty.

### *Run-tested and right for you.*

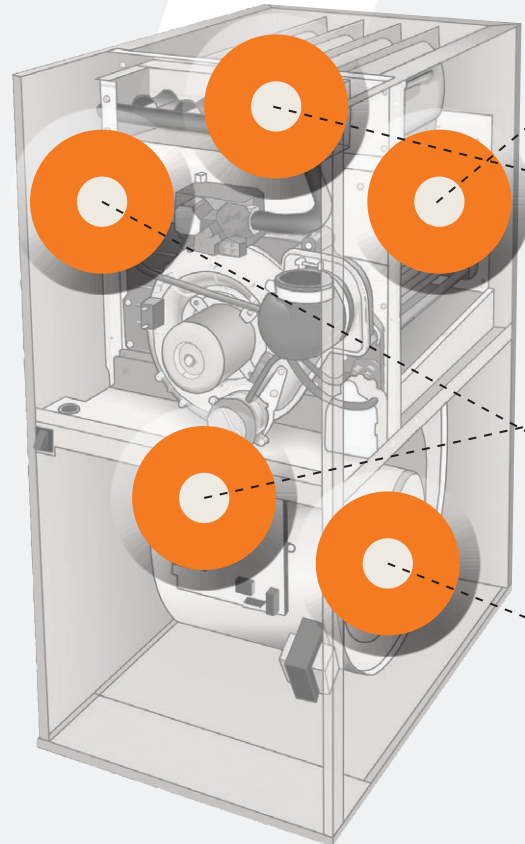
Because we only feel comfortable providing you with long-lasting comfort and efficiency, only products that complete our testing with a 100% success rate make it out of the factory.



## WHAT IS AFUE?

*Like a car's mpg, AFUE (Annual Fuel Utilization Efficiency) is the measure of fuel efficiency for a furnace. It tells you what percentage of consumed heating fuel actually goes to heating your home. The higher the number the better because when you waste fuel, you waste money.*

*Example: For each \$1.00 of heating fuel that the Payne PG96V furnace uses, 96% (or \$.96) of it is used to actually heat your home.*



## PEACE OF MIND

*When you purchase Payne® products, you will soon find out why they are right for you. Our furnaces aren't just affordable — they're built to perform.*

### VARIABLE-SPEED

Our 96% energy-efficient furnace (PG96V) features a variable-speed motor. This technology saves you money year-round on electric bills while being extremely quiet. Saving money never sounded so good.

- 1 **Extra efficiency** — Our high-efficiency furnaces have 2 heat exchangers to extend the transferring of heat, getting the most out of the fuel. Our secondary heat exchanger is specially designed for lasting corrosion resistance and durability. Backed by a 20-year parts limited warranty.
- 2 **Reliability** — The hot surface igniter makes sure you can count on heating when you need it.
- 3 **Responsiveness** — We did get a little fancy with our advanced electronic control for reliable activation and continuous monitoring of the system.
- 4 **Quiet & Draft-free** — We seal our combustion system to virtually eliminate drafts and deliver quiet operation.
- 5 **Motor options** — The broader the spectrum of speeds a motor can accommodate, the more efficiently and quietly the furnace heats and circulates the air. We offer furnaces with standard, multi-speed and variable-speed motors.

## OUR HIGH-EFFICIENCY GAS FURNACES

- ENERGY STAR®
- Variable-speed motor
- Two-stage burner control



PG96V

UP TO **96%**  
AFUE



LEARN MORE AT [energystar.gov](http://energystar.gov)

- ENERGY STAR®
- Multi-speed motor
- Two-stage burner control



PG95X

UP TO **95.5%**  
AFUE



LEARN MORE AT [energystar.gov](http://energystar.gov)

- Standard motor
- On/off burner control



PG95S

UP TO **95.5%**  
AFUE

- Standard motor
- On/off burner control



PG92S

UP TO **92.1%**  
AFUE



## BUY NOW AND PAY OVER TIME

A Payne® credit card is an easy and convenient way to pay for your Payne® purchases. Plus, as a Payne cardholder you can enjoy exclusive special benefits throughout the year, such as:

- Special promotional offers where available
- Open line of credit for all your purchasing needs
- Quick credit decision
- Convenient monthly payments
- Easy online account management

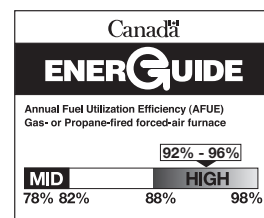
The Payne credit card is issued by Wells Fargo Financial National Bank with approved credit.



Visit our website at [payne.com](http://payne.com)  
©2015 Payne Heating and Cooling  
P.O. Box 70 Indianapolis, IN 46206

*Before purchasing this appliance, please read the important energy cost and efficiency information available from your dealer.*

*Manufacturer reserves the right to discontinue, or change, at any time, specifications or designs without notice and without incurring obligations.*



Always Ask For  
**FACTORY  
AUTHORIZED  
PARTS**