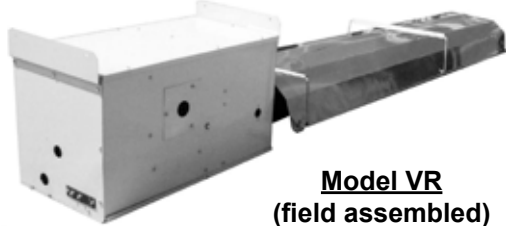


Replacement Parts

Applies to: **Infrared Heater**
Model VR and Models RIH/RIHV

Low-Intensity, Tubular, Infrared Heater



Model VR
(field assembled)

High-Intensity, Infrared Heater



Models RIH/RIHV

Table of Contents

Rating Plate and Serial No. (Model VR)	2
Replacement Parts - Tubular, Low-Intensity Model VR.....	3-7
Replacement Parts - High-Intensity Infrared Models RIH/RIHV	7-8

INDEX

<p>A</p> <p>Air Flow Switch 7 High Altitude Kit 3</p> <p>B</p> <p>Burner/Control Box 3 Vent Adapter Box 6 Reflector Bracket 4, 5 Burner Assy 8</p> <p>C</p> <p>Capacitor 4 Venter Motor Capacitor 3 Chain 7 Chain Hanging Kit 7 Hanging Chain Kit 6 Outside Combustion Air Inlet 6 Combustion Chamber Tube 4 Conduit 7 Angle Connector 7 Stainless Flex Connector 7 Controls 7 Gas Conversion Kits 3 Input Conversion Bag 3 Coupling 4, 5</p> <p>D</p> <p>Date of Manufacture 2 Door 3</p> <p>E</p> <p>Electrode Assembly 3</p> <p>G</p> <p>Tube Gasket 4 Gas Valve 3, 7 Grommet 3</p>	<p>H</p> <p>Burner/Control Box Hanger 3 Hanger Bar 4, 5 Hardware Bag 5</p> <p>I</p> <p>Ignition Control 3 Ignition Detection Control 7 Ignition Electrode 4 Ignitor 7</p> <p>M</p> <p>Main Burner Assembly 3 Manifold 8 Venter Motor 3 Multiple Heater Control Pkgs 6</p> <p>N</p> <p>Spring steel receptacle nut 4</p> <p>O</p> <p>Orifice 8 Orifice Adapter 3</p> <p>P</p> <p>Burner Box Access Panel 3 Pressure Switch 3, 4</p> <p>R</p> <p>Rating Plate 2 5-ft Reflector 5 10-ft Reflector 4 Parabolic Reflector 8 Reflector Assembly 8 Reflector clips 4 Reflector End Cover 4 Reflectors 4 Relay 3, 4, 6 Restrictor Plate 3</p>	<p>S</p> <p>Combustion Air Inlet Screen 3 Screen 8 Sensing Tube 3 Serial No 2 Heat Shield 8 Side Shield 5 Size Conversion 2</p> <p>T</p> <p>Terminal Strip 3, 4 Thermostat 7 Thermostat Bracket 6 Thermostat Cover 7 Transformer 3, 4, 6 5-ft Tube 5 10-ft Heat Exchanger Tube 4 "L" Tube 5 "U" Tube 5 Tube Packages 4 Tubes 4 Turbulator Section 4 Turnbuckle 7</p> <p>U</p> <p>"U" Bolt 4</p> <p>V</p> <p>Dual Vent Kit 6 Vent Cap 6 Venter Housing 3 Venter Wheel 3</p> <p>W</p> <p>Wire Grid 8 Wire Harness 7 Wire Reflector Retainer 4</p>
--	--	--

References

See your local Distributor for the following manuals:

Form I-VR, Model VR Installation, Operation, Maintenance, and Service

Form T-VR-CNFG, Model VR Configuration Manual

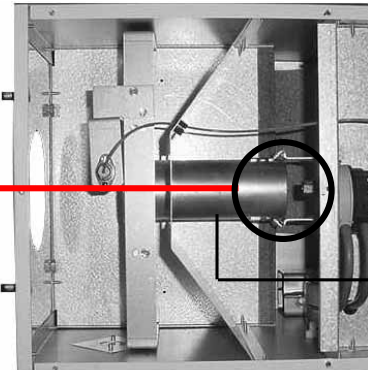
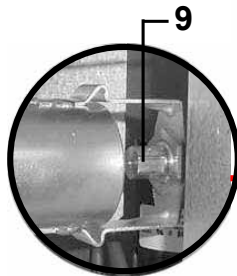
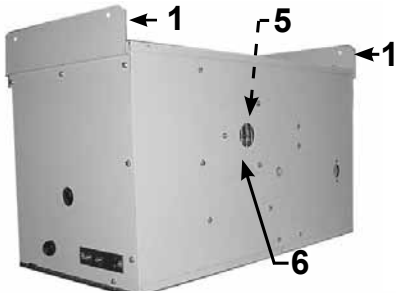
Form CP-VR-GC, Model VR Gas Conversion

Form I-RIH, Model RIH/RIHV Installation, Operation, Maintenance, and Service

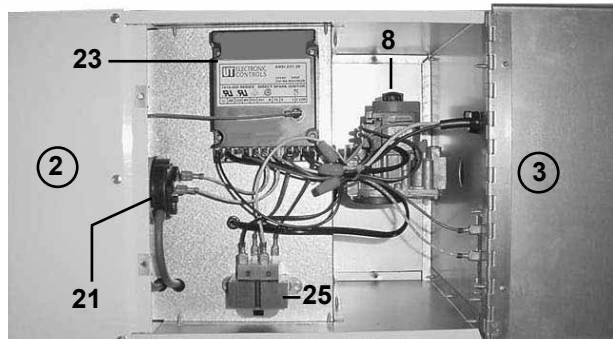
Replacement Parts - Model VR

Code	Description	Qty	50	75	100	125	150	175	200		
				75/100		125/150		175/200			
1	Burner/Control Box Hanger	2	203954								
2	Burner Box Access Panel with Gaskets	1	205415								
3	Control Compartment Door w/Hinge and Latch	1	205414								
4	Receptacle Portion of the Door Latch (on box)	1	196336								
5	Combustion Air Inlet Screen	1	203974								
6	Combustion Air Restrictor Plate	115/1/60	1	203967	203968	203969	203970	203971	203972	203973	
		208-230/1/60or50	1	203967	203968	203969	203970	203971	205539	--	
7	Main Burner Assembly	1	204120					204121			
8	Combination Gas Valve (P/N and Serial No. Code -- see page 2.)	Natural Gas	1	260604 (7E) [replaces 147830(U2)]					204301 (6A)		
		Propane Gas	1	260606 (8E) [replaces 147560(U3)]							
9	Burner Orifice	Natural Gas	1	120147	131579	205430	205431	120165	205432		
		Marking		#29	4.25mm	#11	#2	D		J	
		Propane Gas	1	124966	196852	196854	196838	120149	205433	205434	
		Marking		#45	#39	3.0mm	#30	#27	5/32"	4.3mm	
10A	Orifice Adapter	1	165701								
10B	Brass Pipe Nut	1	165702								
11	Input Conversion Bag (In 75/100; 125/ 150; 175/200 Boxes ONLY. Converts 75 to 100; 125 to 150; 175 to 200)	Natural Gas	1	--	205504	--	205506	--	205508	--	
		Propane	1	--	205505	--	205507	--	205509	--	
12	Gas Conversion Kits	Nat to Pro		269842		269843		269844			
		Pro to Nat		269856		269857		269858			
13	Venter Housing	1	204116		204117		204118				
14	Sensing Tube Bracket and Tube Assembly	1	203938								
15	Venter Wheel	115/1/60	1	195036			120545		132007		
		208-230/1/60or50	1	195036			120545		135980	--	
16	Venter Motor	115/1/60	1	148055		214067 w/capacitor		214066 w/capacitor			
		208-230/1/60or50	1	148054				161416 w/capacitor	--		
17	Venter Motor Capacitor	115/1/60	1	--							
		208-230/1/60or50	1	--							
18	Venter Motor Plate	1	204119	120997		132019					
19	Spirol Spacers	115/1/60	4	97721		97722		--	--		
		208-230/1/60or50	4	97722					--		
20	Venter Motor Clip	115/1/60	2	262441		262442		194805			
		208-230/1/60or50	2	262441		262442		--			
21	Pressure Switch	0 - 6000 ft	1	205442 (white label)		205443 (yellow label)		205444 (green)			
		above 6000 ft	1	205445 (grey label)		205446 (pink label)		205444 (green)			
22	High Altitude Kit (Option DJ20)	above 6000 ft		205524		205525		--			
23	DSI Ignition Control, UTC #1016-426	1	204955								
24	DSI Electrode Assembly	1	204611								
25	Transformer	115/1/60	1	175265, 30 VA							
		208-230/1/60or50	1	194536, 40 VA					--		
26	Relay (optional; required with outside air)	1	18549 (For units mfgd prior to 8/11, order Relay Replacement Kit, P/N 263527.)								
27	2-pole 24V Terminal Strip	1	96041								
28	Vinyl Grommet for Gas Pipe	1	102607								

Burner/Control Box



Burner Section - Bottom View with Access Panel Removed



Control Compartment - Bottom View with Door Open and Burner Section Access Panel Closed