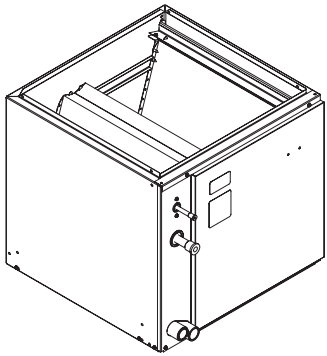




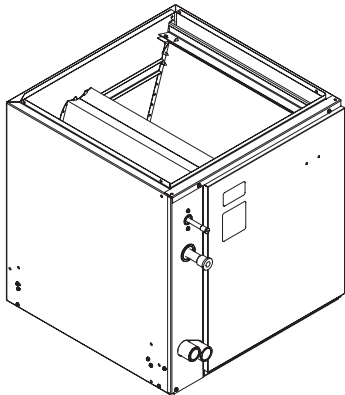
CNPVP, CNRVP, CNPVT, CNRVT, CNPVU, CNRVU EVAPORATOR COIL N COIL - CASED AND UNCASED UPFLOW, DOWNFLOW

Product Data



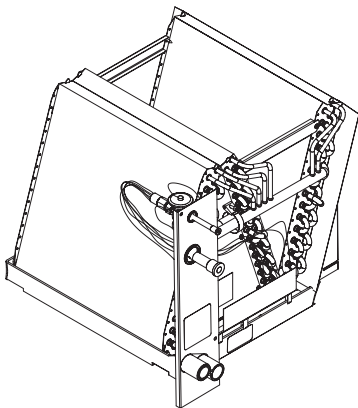
CN(P,R)VP

A06008



CN(P,R)VT (Transition)

A06007



CN(P,R)VU

A06004

This vertical design N-coil is a furnace coil designed to provide the highest standards of reliability and durability. The coils are available for use in R-410A and R-22 systems.

Both designs have a painted case (taupe metallic) and come with factory-installed thermostatic expansion valves (TXV). The coils are offered in different width configurations for use in multiple installation applications. Additionally, they are offered in a transition configuration, a design which simplifies making field-supplied transition duct configurations. Easy maintenance is provided as the coil slides out of the cabinet after removing the access door and service panel. The coils are available in sizes 018 through 060 (1-1/2 to 5 tons).

Transition coil models CNPVT and CNRVT are designed for use with one size smaller width furnaces without field modifications.

STANDARD FEATURES

Water Management — These coil designs do an excellent job of water management. The coils are designed to avoid water blow-off into the ducts by directing condensate away from the fins and into the drain pan.

Durable Condensate Pan — Each coil is equipped with a corrosion-resistant condensate drain pan. The condensate drain pan is designed with a slope to help ensure proper drainage, improved moisture removal, and home comfort.

Compact Design — Unique design offers as much as 2-4 in. less in height to aid in tight installations.

Brass Inserts — Every condensate pan features two 3/4 in. female threaded brass insert connections. The unique brass inserts provide for a leak-free condensate line connection to prevent water damage.

Refrigerant Connections — The coils are provided with proven sweat-connections for leak-free operation maintaining system reliability.

Burst Pressures — These coils meet or exceed burst pressure of 2100 psi which is at least three to five times the pressure they will see in actual application.

Thermostatic Expansion Valves (TXV) — All Payne coils have refrigerant-specific factory-installed TXVs.

Teflon Ring — The ring, installed inside the liquid line connection at the TXV, is the best option for preventing refrigerant leaks and future service calls. Teflon works with both R-410A and R-22 refrigerants.

Protective Tube Sheets — Protect the durable copper tubing from being damaged during the manufacturing and installation process.

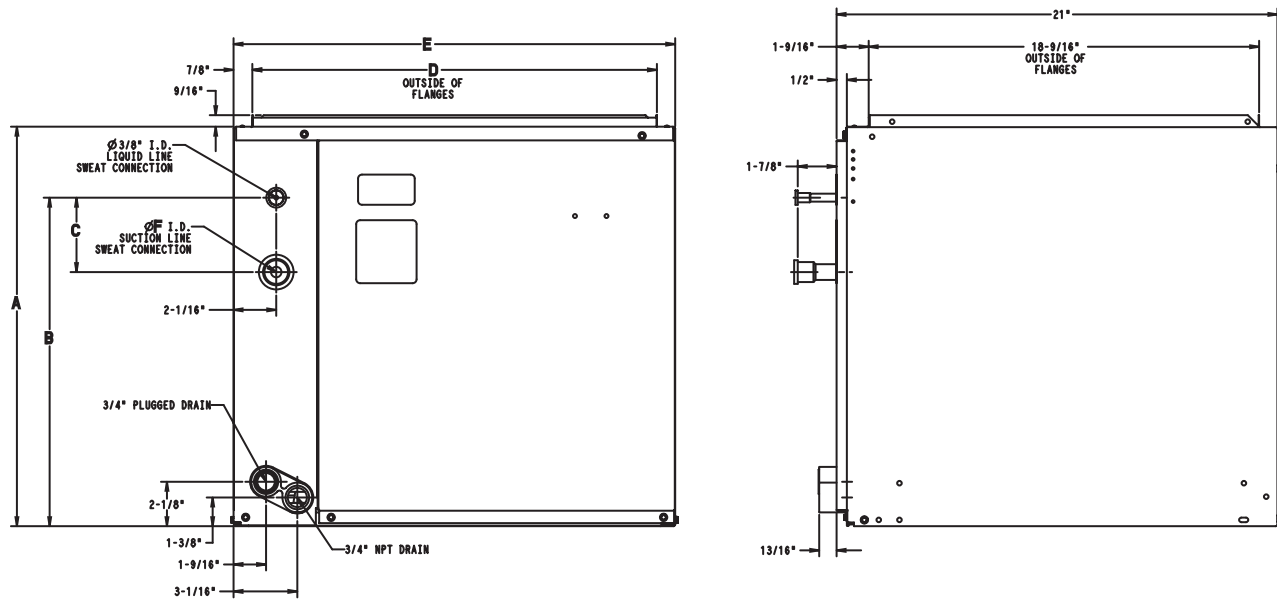
Warranty — All Payne coils feature a limited 5-year warranty on parts, with additional extended warranties available for the system.

MODEL NUMBER NOMENCLATURE

1	2	3	4	5	6-7	8-9	10	11	12
C	N	P	V	P	18	14	A	C	A
Product	Coil Type	Refrigerant Type	Coil Configuration	Cabinet Finish	Unit Capacity	Cabinet Width	Revision Level	Tubing Design	Variations
C – Coil	N – N	P – R-410A TXV R – R-22 TXV	V – Upfl./Dnfl.	P – Painted U – Uncased T – Transition N	18 – 1 1/2 Ton 24 – 2 Ton 30 – 2 1/2 Ton 36 – 3 Ton 42 – 3 1/2 Ton 48 – 4 Ton 60 – 5 Ton	14 – 14 in. 17 – 17 in. 21 – 21 in. 24 – 24 in.	A – Revision	C – Copper	A – Basic



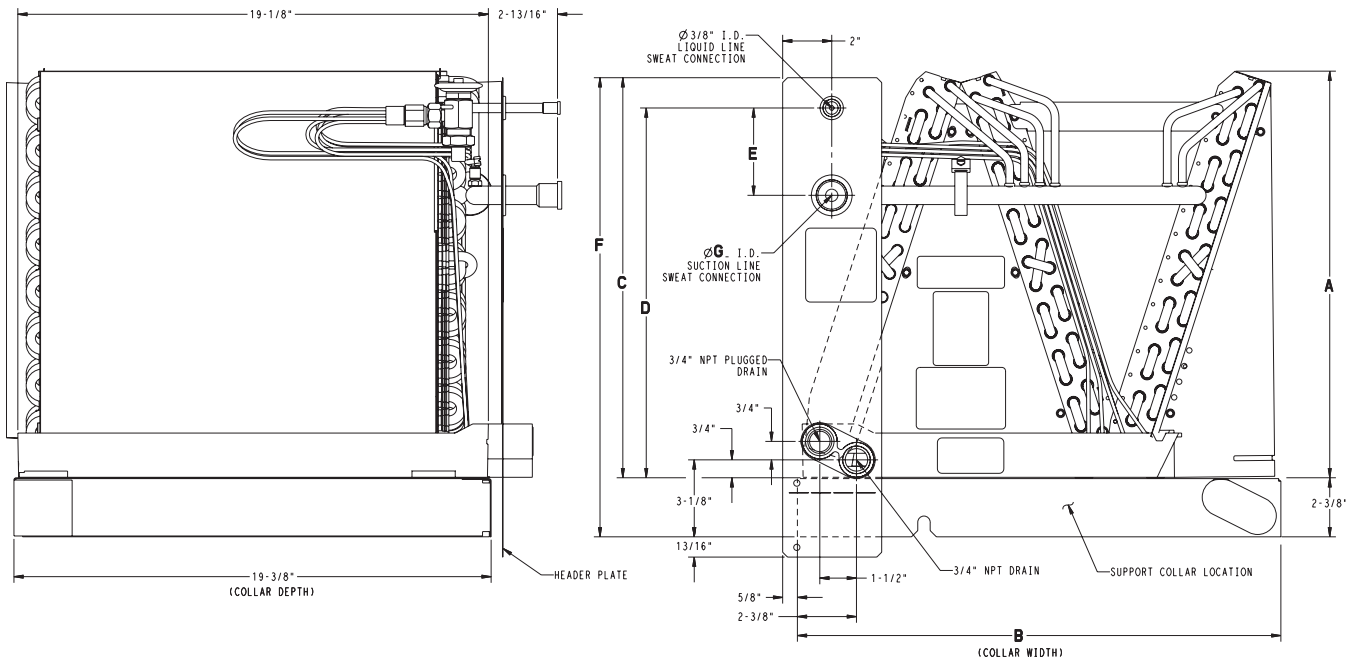
CERTIFICATION APPLIES ONLY WHEN THE COMPLETE SYSTEM IS LISTED WITH ARI



A05429

DIMENSIONS - CN(P,R)VP

UNIT	SERIES	A (IN.)	B (IN.)	C (IN.)	D (IN.)	E (IN.)	F (IN.)	SHIPPING WT. (LBS.)
CN(P,R)VP1814ACA	A	12-5/8	10-1/16	5-5/16	12-1/2	14-3/16	5/8	36.0
CN(P,R)VP2414ACA	A	14-5/8	12-1/16	5-5/16	12-1/2	14-3/16	5/8	39.5
CN(P,R)VP2417ACA	A	14-5/8	10-1/16	3-9/16	15-3/4	17-1/2	5/8	39.5
CN(P,R)VP3014ACA	A	17	13-5/8	5-5/16	12-1/2	14-3/16	3/4	46.5
CN(P,R)VP3017ACA	A	17	13-7/8	3-9/16	15-3/4	17-1/2	3/4	47.0
CN(P,R)VP3617ACA	A	17	13-7/8	3-9/16	15-3/4	17-1/2	3/4	48.5
CN(P,R)VP3621ACA	A	17	13-9/16	3-9/16	19-1/4	21	3/4	48.0
CN(P,R)VP4221ACA	A	19	15-5/8	3-9/16	19-1/4	21	7/8	56.5
CN(P,R)VP4821ACA	A	22-1/16	17-1/2	3-9/16	19-1/4	21	7/8	65.5
CN(P,R)VP4824ACA	A	22-1/16	17-1/4	3-9/16	22-3/4	24-1/2	7/8	62.0
CN(P,R)VP6024ACA	A	26-5/16	17-15/16	3-9/16	22-3/4	24-1/2	7/8	78.0



A06503

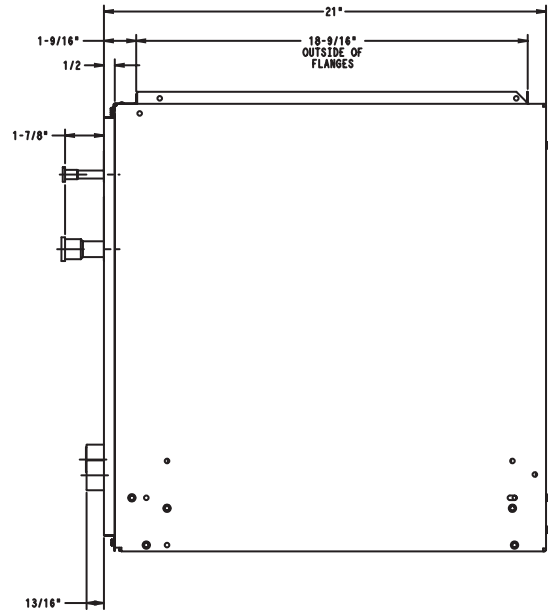
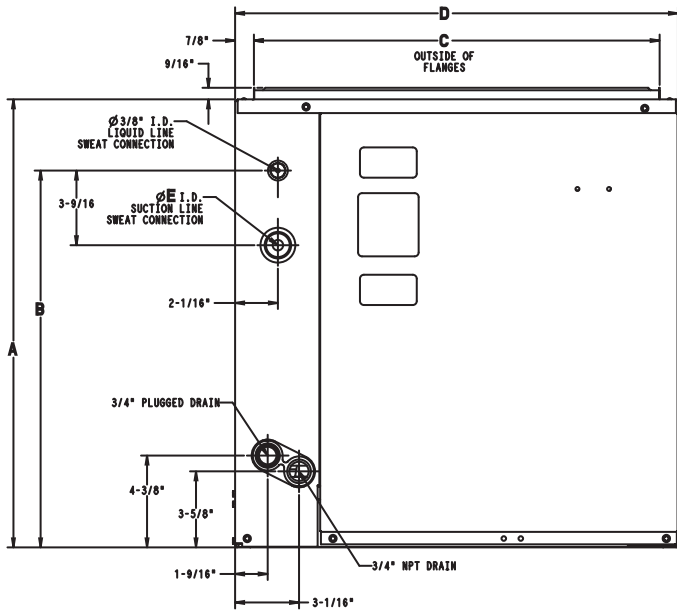
DIMENSIONS - CNPVU

UNIT	SERIES	A (IN.)	B (IN.)	C (IN.)	D (IN.)	E (IN.)	F (IN.)	G (IN.)	SHIPPING WT. (LBS.)
CNPVU1814ACA	A	10-7/8	12-1/2	10-5/8	9-3/8	5-5/16	13	5/8	17.0
CNPVU2414ACA	A	12-7/8	12-9/16	12-5/8	11-7/16	5-5/16	15	5/8	21.0
CNPVU2417ACA	A	12-3/4	15-15/16	12-5/8	11-7/16	5-5/16	15	5/8	23.0
CNPVU3014ACA	A	14-7/8	12-5/8	14-3/16	13	5-5/16	16-9/16	3/4	23.0
CNPVU3017ACA	A	14-3/4	15-15/16	14-3/16	13	5-5/16	16-9/16	3/4	25.0
CNPVU3617ACA	A	14-11/16	15-15/16	14-7/16	13-1/4	3-9/16	16-13/16	3/4	26.0
CNPVU3621ACA	A	14-1/2	19-5/16	14-7/16	13-1/4	3-9/16	16-13/16	3/4	28.0
CNPVU4221ACA	A	16-1/2	19-5/16	16-3/16	15	3-9/16	18-9/16	7/8	29.0
CNPVU4821ACA	A	20-9/16	19-5/16	18-1/16	16-7/8	3-9/16	20-7/16	7/8	33.0
CNPVU4824ACA	A	20-3/8	22-7/8	18-1/16	16-7/8	3-9/16	20-7/16	7/8	35.0
CNPVU6024ACA	A	24-3/8	22-7/8	18-1/2	17-5/16	3-9/16	20-7/8	7/8	35.0

DIMENSIONS - CNRVU

UNIT	SERIES	A (IN.)	B (IN.)	C (IN.)	D (IN.)	E (IN.)	F (IN.)	G (IN.)	SHIPPING WT. (LBS.)
CNRVU1814ACA	A	10-7/8	12-1/2	10-5/8	9-3/8	5-5/16	13	5/8	17.0
CNRVU2414ACA	A	12-7/8	12-9/16	12-5/8	11-7/16	5-5/16	15	5/8	21.0
CNRVU3014ACA	A	14-7/8	12-5/8	14-3/16	13	5-5/16	16-9/16	3/4	23.0
CNRVU3617ACA	A	14-11/16	15-15/16	14-7/16	13-1/4	3-9/16	16-13/16	3/4	26.0
CNRVU4221ACA	A	16-1/2	19-5/16	16-3/16	15	3-9/16	18-9/16	7/8	29.0
CNRVU4821ACA	A	20-9/16	19-5/16	18-1/16	16-7/8	3-9/16	20-7/16	7/8	33.0
CNRVU6024ACA	A	24-3/8	22-7/8	18-1/2	17-5/16	3-9/16	20-7/8	7/8	35.0

CNPVP / CNRVP / CNPVT / CNRVT / CNPVU / CNRVU



A05431

DIMENSIONS - CN(P,R)VT

UNIT	SERIES	A (IN.)	B (IN.)	C (IN.)	D (IN.)	E (IN.)	SHIPPING WT. (LBS.)
CN(P,R)VT3617ACA	A	19-13/16	16-1/8	15-3/4	17-1/2	3/4	48.5
CN(P,R)VT4221ACA	A	21-13/16	17-7/8	19-1/4	21	7/8	62.0
CN(P,R)VT4821ACA	A	24-7/8	19-3/4	19-1/4	21	7/8	71.0
CN(P,R)VT6024ACA	A	29-1/8	20-3/16	22-3/4	24-1/2	7/8	78.0

NOTE: This coil suitable for use on furnace width one size down from coil casing width.

PERFORMANCE DATA

COOLING CAPACITIES (MBH) - R-410A REFRIGERANT

CNPV UNIT SIZE	INDOOR COIL AIR		SATURATED TEMPERATURE LEAVING EVAPORATOR (°F)														
			30			35			40			45			50		
	CFM	EWB	TC	SHC	BF	TC	SHC	BF	TC	SHC	BF	TC	SHC	BF	TC	SHC	BF
1814	450	72	31.00	15.20	0.00	28.60	13.90	0.00	25.80	12.50	0.00	22.80	11.10	0.00	19.30	9.60	0.00
		67	26.00	15.70	0.00	23.50	14.30	0.01	20.70	12.80	0.01	17.60	11.30	0.01	14.10	9.80	0.01
		62	21.50	16.00	0.01	18.90	14.50	0.01	16.10	13.00	0.01	13.00	11.50	0.01	10.10	10.10	0.03
	600	72	38.30	18.70	0.00	35.30	17.10	0.00	32.00	15.50	0.00	28.20	13.80	0.00	23.90	12.00	0.01
		67	32.30	19.50	0.01	29.20	17.80	0.02	25.70	16.10	0.02	21.80	14.30	0.02	17.50	12.40	0.02
		62	26.70	20.10	0.02	23.50	18.40	0.02	20.00	16.60	0.02	16.20	14.80	0.02	12.90	12.90	0.06
	750	72	44.30	21.50	0.00	40.90	19.90	0.00	37.00	18.10	0.00	32.70	16.10	0.02	27.70	14.00	0.02
		67	37.40	22.80	0.03	33.90	20.90	0.03	29.90	19.00	0.03	25.40	16.90	0.03	20.40	14.70	0.04
		62	31.10	23.80	0.04	27.40	21.80	0.04	23.40	19.80	0.04	19.10	17.70	0.04	15.60	15.60	0.10
2414 2417	600	72	39.00	19.00	0.00	36.00	17.50	0.00	32.70	15.90	0.00	28.80	14.10	0.00	24.60	12.30	0.01
		67	32.80	19.80	0.01	29.80	18.20	0.01	26.30	16.40	0.01	22.40	14.60	0.02	18.10	12.60	0.02
		62	27.20	20.50	0.02	24.00	18.70	0.02	20.50	16.90	0.02	16.60	15.00	0.02	13.10	13.10	0.05
	800	72	47.10	22.80	0.00	43.60	21.10	0.00	39.60	19.30	0.00	35.00	17.30	0.02	29.90	15.10	0.02
		67	39.80	24.20	0.03	36.10	22.30	0.03	32.00	20.30	0.03	27.30	18.10	0.03	22.00	15.90	0.03
		62	33.10	25.40	0.03	29.30	23.40	0.03	25.10	21.20	0.03	20.50	19.00	0.04	16.70	16.70	0.09
	1000	72	53.40	25.90	0.00	49.50	24.20	0.00	45.10	22.10	0.02	40.00	19.90	0.03	34.10	17.50	0.04
		67	45.30	27.90	0.05	41.20	25.90	0.05	36.60	23.70	0.05	31.30	21.30	0.05	25.20	18.70	0.05
		62	37.80	29.60	0.05	33.60	27.40	0.05	28.80	25.10	0.05	23.80	22.70	0.06	20.00	20.00	0.13
3014 3017	750	72	48.00	23.50	0.00	44.00	21.40	0.00	39.70	19.20	0.00	34.80	17.00	0.00	29.40	14.60	0.01
		67	40.30	24.20	0.01	36.20	22.00	0.02	31.80	19.70	0.02	26.80	17.40	0.02	21.40	15.00	0.02
		62	33.20	24.80	0.02	29.10	22.50	0.02	24.60	20.20	0.02	19.90	17.90	0.02	15.60	15.60	0.05
	1000	72	58.70	28.50	0.00	53.90	26.10	0.00	48.50	23.60	0.00	42.50	20.90	0.02	35.80	18.10	0.03
		67	49.40	29.90	0.03	44.40	27.30	0.03	38.90	24.60	0.04	32.90	21.70	0.04	26.20	18.80	0.04
		62	40.80	30.90	0.04	35.80	28.20	0.04	30.30	25.40	0.04	24.60	22.60	0.05	19.90	19.90	0.10
	1250	72	67.40	32.70	0.00	61.90	30.10	0.00	55.70	27.30	0.02	48.80	24.20	0.04	41.10	21.00	0.05
		67	56.80	34.70	0.05	51.20	31.80	0.06	44.90	28.70	0.06	37.80	25.50	0.06	30.10	22.20	0.06
		62	47.10	36.30	0.06	41.30	33.20	0.06	35.00	30.10	0.06	28.60	27.00	0.07	23.70	23.70	0.14
3617 3621 T3617	900	72	58.10	28.30	0.00	53.40	25.90	0.00	48.00	23.30	0.00	42.10	20.60	0.01	35.50	17.80	0.02
		67	48.90	29.50	0.02	44.00	26.90	0.03	38.50	24.20	0.03	32.50	21.30	0.03	25.90	18.40	0.03
		62	40.40	30.40	0.03	35.40	27.70	0.03	29.90	24.90	0.03	24.20	22.10	0.04	19.40	19.40	0.08
	1200	72	70.00	33.90	0.00	64.30	31.20	0.00	57.80	28.30	0.02	50.70	25.10	0.04	42.70	21.80	0.05
		67	58.90	35.90	0.05	53.10	32.90	0.05	46.50	29.70	0.05	39.30	26.40	0.06	31.20	22.90	0.06
		62	48.80	37.50	0.06	42.80	34.30	0.06	36.30	31.00	0.06	29.60	27.80	0.06	24.40	24.40	0.13
	1500	72	79.30	38.60	0.00	72.90	35.60	0.02	65.70	32.30	0.05	57.50	28.80	0.06	48.50	25.10	0.07
		67	67.00	41.30	0.08	60.40	38.00	0.08	53.00	34.40	0.08	44.70	30.70	0.08	35.50	26.80	0.09
		62	55.70	43.60	0.09	48.80	40.00	0.09	41.60	36.50	0.09	34.20	32.90	0.10	28.80	28.80	0.18
4221 4224 T4221	1050	72	74.40	36.30	0.00	68.10	33.10	0.00	61.20	29.70	0.00	53.50	26.20	0.01	45.00	22.60	0.02
		67	62.30	37.60	0.02	56.00	34.20	0.03	48.90	30.60	0.03	41.20	27.00	0.03	32.80	23.30	0.03
		62	51.40	38.60	0.03	44.90	35.00	0.03	37.90	31.40	0.03	30.60	27.80	0.04	24.40	24.40	0.08
	1400	72	90.20	43.80	0.00	82.60	40.10	0.00	74.10	36.20	0.01	64.70	32.00	0.04	54.40	27.60	0.05
		67	75.80	46.00	0.05	68.00	42.00	0.05	59.40	37.70	0.06	50.00	33.40	0.06	39.60	28.90	0.06
		62	62.60	47.70	0.06	54.70	43.50	0.06	46.20	39.20	0.06	37.50	35.00	0.07	30.70	30.70	0.13
	1750	72	103.00	50.00	0.00	94.30	46.00	0.00	84.60	41.50	0.05	73.90	36.80	0.06	62.00	32.00	0.07
		67	86.70	53.10	0.08	77.80	48.60	0.08	68.00	43.90	0.08	57.10	39.00	0.08	45.20	33.90	0.09
		62	71.70	55.70	0.09	62.70	50.90	0.09	53.10	46.20	0.09	43.40	41.50	0.10	36.30	36.30	0.18
4821 4824 T4821	1200	72	79.30	38.70	0.00	72.90	35.40	0.00	65.70	31.90	0.00	57.70	28.20	0.00	48.80	24.40	0.01
		67	66.60	40.20	0.02	60.00	36.60	0.02	52.70	32.90	0.02	44.60	29.10	0.02	35.70	25.10	0.03
		62	55.00	41.30	0.03	48.30	37.60	0.03	40.90	33.80	0.03	33.10	30.00	0.03	26.30	26.30	0.07
	1600	72	96.00	46.60	0.00	88.30	42.90	0.00	79.60	38.90	0.00	69.90	34.50	0.03	59.10	30.00	0.04
		67	80.90	49.20	0.04	72.90	45.00	0.04	64.10	40.70	0.05	54.20	36.10	0.05	43.30	31.40	0.05
		62	67.00	51.20	0.05	58.80	46.80	0.05	49.90	42.30	0.05	40.70	37.90	0.05	33.30	33.30	0.11
	2000	72	109.40	53.10	0.00	100.70	49.10	0.00	90.90	44.60	0.03	79.90	39.80	0.05	67.50	34.70	0.06
		67	92.40	56.70	0.06	83.40	52.20	0.07	73.30	47.40	0.07	62.00	42.20	0.07	49.50	36.90	0.07
		62	76.70	59.70	0.07	67.50	54.90	0.08	57.40	49.90	0.08	47.20	44.90	0.08	39.50	39.50	0.16
6024 T6024	1600	72	103.20	50.40	0.00	94.40	45.90	0.00	84.80	41.10	0.00	74.10	36.30	0.00	62.40	31.20	0.02
		67	86.40	52.10	0.02	77.50	47.20	0.02	67.80	42.30	0.02	57.10	37.20	0.03	45.40	32.10	0.03
		62	71.20	53.30	0.03	62.20	48.30	0.03	52.40	43.30	0.03	42.30	38.30	0.03	33.50	33.50	0.07
	2000	72	120.70	58.70	0.00	110.40	53.60	0.00	99.00	48.20	0.00	86.40	42.50	0.02	72.60	36.70	0.03
		67	101.20	61.30	0.03	90.70	55.70	0.04	79.20	50.00	0.04	66.60	44.10	0.04	52.80	38.10	0.05
		62	83.40	63.20	0.05	72.80	57.40	0.05	61.40	51.60	0.05	49.70	46.00	0.05	40.30	40.30	0.11
	2400	72	135.60	65.80	0.00	124.10	60.30	0.00	111.20	54.40	0.01	97.00	48.00	0.04	81.30	41.50	0.05
		67	113.90	69.30	0.05	102.10	63.20	0.06	89.10	56.90	0.06	74.80	50.30	0.06	59.20	43.60	0.06
		62	94.10	72.10	0.06	82.10	65.70	0.06	69.30	59.30	0.06	56.40	53.00	0.07	46.50	46.50	0.14

Legend:

CFM – Cubic Ft. per Minute EWB – Entering Wet Bulb (°F) LWB – Leaving Wet Bulb (°F) TC – Gross Cooling Capacity 1000 Btuh
 SHC – Gross Sensible Capacity 1000 Btuh BF – Bypass Factor MBH – 1000 Btuh

See notes on page 7.

CNPVP / CNRVP / CNPVT / CNRVT / CNPVU / CNRVU

PERFORMANCE DATA (cont)

COOLING CAPACITIES (MBH) - R-22 REFRIGERANT

CNRV UNIT SIZE	INDOOR COIL AIR		SATURATED TEMPERATURE LEAVING EVAPORATOR (°F)														
			30			35			40			45			50		
	CFM	EWB	TC	SHC	BF	TC	SHC	BF	TC	SHC	BF	TC	SHC	BF	TC	SHC	BF
1814	450	72	28.60	13.90	0.00	26.60	12.90	0.00	24.20	11.80	0.00	21.60	10.60	0.00	18.60	9.40	0.00
		67	24.20	14.80	0.01	22.10	13.70	0.01	19.70	12.50	0.01	16.80	11.20	0.01	13.50	9.70	0.01
		62	20.20	15.50	0.01	18.00	14.30	0.01	15.40	13.00	0.01	12.50	11.70	0.01	10.20	10.20	0.08
	600	72	33.70	16.40	0.00	31.40	15.30	0.00	28.70	14.10	0.00	25.60	12.80	0.01	22.00	11.40	0.01
		67	28.70	17.80	0.02	26.20	16.60	0.02	23.40	15.30	0.02	20.10	13.80	0.02	16.30	12.20	0.02
		62	24.00	19.00	0.02	21.50	17.80	0.02	18.60	16.40	0.02	15.40	14.80	0.03	13.00	13.00	0.12
	750	72	37.50	18.40	0.01	35.00	17.30	0.01	32.10	16.00	0.02	28.70	14.60	0.02	24.60	13.00	0.03
		67	32.00	20.30	0.03	29.40	19.10	0.03	26.20	17.70	0.03	22.60	16.10	0.03	18.60	14.40	0.03
		62	26.90	22.10	0.03	24.20	20.80	0.04	21.10	19.30	0.04	17.90	17.70	0.05	15.40	15.40	0.16
2414 2417	600	72	34.60	16.80	0.00	32.30	15.70	0.00	29.60	14.60	0.00	26.50	13.20	0.00	22.90	11.80	0.01
		67	29.40	18.30	0.01	27.00	17.10	0.01	24.20	15.70	0.01	20.90	14.30	0.01	17.10	12.60	0.02
		62	24.70	19.50	0.02	22.20	18.30	0.02	19.30	16.80	0.02	16.00	15.30	0.02	13.40	13.40	0.10
	800	72	39.50	19.40	0.01	37.10	18.40	0.01	34.20	17.10	0.02	30.70	15.70	0.02	26.60	14.10	0.02
		67	33.90	21.60	0.03	31.20	20.40	0.03	28.00	19.00	0.03	24.30	17.40	0.03	20.10	15.60	0.03
		62	28.60	23.70	0.03	25.80	22.30	0.03	22.60	20.80	0.04	19.30	19.10	0.05	16.80	16.80	0.16
	1000	72	43.20	21.50	0.03	40.60	20.50	0.04	37.50	19.20	0.04	33.80	17.70	0.04	29.30	16.00	0.04
		67	37.10	24.50	0.05	34.30	23.20	0.05	30.90	21.80	0.05	26.80	20.10	0.05	22.20	18.20	0.05
		62	31.50	27.30	0.05	28.60	25.90	0.05	25.30	24.30	0.06	22.30	22.30	0.11	19.60	19.60	0.21
3014 3017	750	72	45.90	22.30	0.00	42.50	20.60	0.00	38.60	18.80	0.00	34.10	16.80	0.01	28.60	14.60	0.01
		67	38.90	23.70	0.02	35.30	21.90	0.02	31.00	19.80	0.02	26.00	17.50	0.02	20.30	15.10	0.02
		62	32.30	24.80	0.02	28.30	22.80	0.02	24.00	20.60	0.02	19.30	18.30	0.03	15.90	15.90	0.12
	1000	72	53.80	26.20	0.00	49.90	24.40	0.01	45.40	22.40	0.02	40.30	20.20	0.03	34.30	17.80	0.03
		67	45.70	28.40	0.03	41.60	26.40	0.04	37.00	24.20	0.04	31.20	21.70	0.04	24.40	18.80	0.04
		62	38.30	30.40	0.04	34.00	28.20	0.04	29.00	25.80	0.04	23.80	23.20	0.06	20.00	20.00	0.16
	1250	72	59.80	29.30	0.03	55.50	27.40	0.04	50.60	25.30	0.04	44.80	22.90	0.05	38.40	20.40	0.05
		67	50.90	32.30	0.06	46.40	30.20	0.06	41.30	27.80	0.06	35.40	25.30	0.06	27.90	22.20	0.06
		62	42.70	35.10	0.06	38.30	32.90	0.06	33.10	30.30	0.07	27.70	27.50	0.09	23.70	23.70	0.21
3617 3621 T3617	900	72	53.50	26.00	0.00	49.50	24.10	0.00	45.10	22.10	0.01	40.00	19.90	0.02	33.80	17.40	0.02
		67	45.40	27.90	0.03	41.30	25.90	0.03	36.60	23.70	0.03	30.70	21.10	0.03	24.00	18.30	0.03
		62	37.90	29.70	0.03	33.50	27.40	0.03	28.50	24.90	0.03	23.20	22.30	0.05	19.30	19.30	0.15
	1200	72	61.60	30.10	0.02	57.20	28.20	0.03	52.10	26.00	0.04	46.20	23.50	0.04	39.60	20.90	0.05
		67	52.40	33.10	0.05	47.80	30.90	0.05	42.50	28.50	0.05	36.30	25.80	0.06	28.60	22.60	0.06
		62	44.00	35.90	0.06	39.40	33.60	0.06	34.00	30.90	0.06	28.30	28.00	0.08	24.10	24.10	0.20
	1500	72	67.50	33.40	0.06	62.90	31.40	0.06	57.40	29.10	0.07	50.80	26.50	0.07	43.60	23.70	0.08
		67	57.70	37.40	0.08	52.70	35.10	0.08	46.90	32.60	0.08	40.30	29.80	0.08	32.20	26.50	0.09
		62	48.60	41.20	0.08	43.70	38.80	0.09	38.30	36.10	0.09	32.90	32.90	0.13	28.30	28.30	0.25
4221 4224 T4221	1050	72	67.70	32.90	0.00	62.50	30.40	0.00	56.50	27.60	0.00	49.70	24.70	0.02	42.30	21.60	0.02
		67	57.10	35.00	0.03	51.70	32.20	0.03	45.60	29.30	0.03	38.80	26.20	0.03	30.30	22.60	0.03
		62	47.40	36.80	0.03	41.90	33.90	0.03	35.70	30.80	0.03	28.90	27.50	0.04	23.80	23.80	0.13
	1400	72	79.00	38.50	0.00	73.10	35.80	0.02	66.20	32.80	0.04	58.30	29.40	0.04	49.30	25.90	0.05
		67	66.90	41.80	0.05	60.70	38.70	0.05	53.50	35.40	0.06	45.50	31.90	0.06	36.30	28.10	0.06
		62	55.70	44.70	0.06	49.40	41.50	0.06	42.60	38.10	0.06	35.40	34.50	0.08	29.90	29.90	0.18
	1750	72	87.40	42.90	0.04	81.00	40.10	0.06	73.60	37.00	0.07	64.90	33.40	0.07	54.80	29.50	0.08
		67	74.30	47.40	0.08	67.60	44.20	0.08	59.70	40.60	0.08	50.60	36.70	0.08	40.90	32.80	0.09
		62	62.20	51.40	0.09	55.30	48.10	0.09	47.90	44.50	0.09	40.70	40.70	0.11	35.20	35.20	0.23
4821 4824 T4821	1200	72	72.40	35.20	0.00	67.30	32.70	0.00	61.20	30.00	0.00	54.20	27.00	0.01	46.30	23.70	0.02
		67	61.40	37.70	0.02	55.90	35.00	0.02	49.50	32.00	0.02	42.40	28.80	0.02	34.10	25.20	0.03
		62	51.20	40.00	0.03	45.50	37.00	0.03	39.20	33.90	0.03	32.20	30.50	0.03	26.70	26.70	0.12
	1600	72	83.80	41.00	0.00	78.00	38.40	0.02	71.30	35.40	0.03	63.30	32.10	0.03	54.00	28.50	0.04
		67	71.40	44.90	0.04	65.20	42.00	0.04	58.00	38.70	0.05	49.50	35.00	0.05	40.30	31.20	0.05
		62	59.80	48.50	0.05	53.40	45.30	0.05	46.30	41.90	0.05	39.00	38.30	0.07	33.40	33.40	0.17
	2000	72	92.10	45.50	0.04	86.00	42.90	0.05	78.70	39.80	0.05	70.10	36.40	0.06	60.00	32.50	0.06
		67	78.70	50.90	0.07	72.10	47.80	0.07	64.30	44.40	0.07	55.10	40.40	0.07	44.90	36.30	0.07
		62	66.30	55.90	0.07	59.60	52.60	0.07	52.10	48.90	0.08	44.90	44.90	0.11	39.20	39.20	0.22
6024 T6024	1600	72	93.60	45.40	0.00	86.30	41.90	0.00	77.90	38.00	0.00	68.30	33.80	0.01	58.00	29.60	0.02
		67	78.90	48.10	0.02	71.20	44.20	0.02	62.70	40.10	0.02	53.20	35.70	0.03	41.70	30.80	0.03
		62	65.40	50.40	0.03	57.70	46.30	0.03	49.20	42.00	0.03	39.60	37.40	0.04	32.50	32.50	0.12
	2000	72	106.40	51.70	0.00	98.20	47.90	0.00	88.80	43.70	0.02	78.00	39.10	0.03	65.80	34.10	0.03
		67	89.90	55.50	0.04	81.30	51.30	0.04	71.50	46.70	0.04	60.60	41.80	0.04	48.30	36.60	0.04
		62	74.70	58.90	0.04	65.90	54.40	0.04	56.60	49.70	0.05	46.50	44.80	0.06	38.90	38.90	0.16
	2400	72	116.60	57.00	0.00	107.90	53.00	0.03	97.70	48.50	0.04	85.90	43.60	0.05	72.30	38.20	0.05
		67	98.90	61.90	0.06	89.60	57.50	0.06	78.90	52.50	0.06	66.60	47.20	0.06	53.70	41.80	0.06
		62	82.30	66.40	0.06	72.90	61.70	0.06	62.70	56.70	0.07	52.60	51.60	0.08	44.70	44.70	0.19

Legend:

CFM – Cubic Ft. per Minute EWB – Entering Wet Bulb (°F) LWB – Leaving Wet Bulb (°F) TC – Gross Cooling Capacity 1000 Btuh
 SHC – Gross Sensible Capacity 1000 Btuh BF – Bypass Factor MBH – 1000 Btuh

See notes on page 7.

NOTES:

1. Contact manufacturer for cooling capacities at conditions other than shown in table.
2. Formulas:
 Leaving db = entering db - $\frac{\text{sensible heat cap.}}{1.09 \times \text{CFM}}$
 Leaving wb = wb corresponding to enthalpy of air leaving coil (h_{LWB})

$$h_{LWB} = h_{EWB} - \frac{\text{total capacity (Btuh)}}{4.5 \times \text{CFM}}$$
 Where h_{EWB} = enthalpy of air entering coil
3. SHC is based on 80°F db temperature of air entering the evaporator coil.
 Below 80°F db, subtract (Correction Factor x CFM) from SHC.
 Above 80°F db, add (Correction Factor x CFM) to SHC.
4. Direct interpolation is permissible. Do not extrapolate.
5. Fan motor heat has not been deducted.
6. All data points are based on 10°F superheat leaving coil and use of thermostatic expansion valve (TXV) device.
7. All units have sweat suction-tube connection and a liquid-tube connection. For 1-1/8-in. system suction tube, 3/4 x 1-1/8-in. suction tube connection adapter is available as accessory.
8. The CNPVP, CNPVT and CNPVU coils can be used in any properly designed system using R-410A refrigerant.
9. The CNRVP, CNRVV and CNRVU coils can be used in any properly designed system using R-22 refrigerant.
10. Before using maximum cfm shown in table, check coil static pressure drop to ensure system blower can provide necessary static pressure needed for coil and duct systems.
11. Bypass Factor = 0 indicates no psychometric solution. Use bypass factor of next lower EWB for approximation.

BYPASS FACTOR	ENTERING AIR DRY BULB TEMPERATURE (°F)					
	79	78	77	76	75	Under 75
	81	82	83	84	84	Above 85
Correction Factor						
0.10	0.98	1.96	2.94	3.92	4.91	Use formula shown below
0.20	0.87	1.74	2.62	3.49	4.36	
0.30	0.76	1.53	2.29	3.05	3.82	

Interpolation is permissible.

$$\text{Correction Factor} = 1.09 \times (1 - \text{BF}) \times (\text{db} - 80)$$

CNPVP / CNRVP / CNPVT / CNRVV / CNRVU

PERFORMANCE DATA (cont)

COIL STATIC PRESSURE DROP (in wc.) R-410A AND R-22 REFRIGERANTS

UNIT SIZE	Standard CFM																			
	400	500	600	700	800	900	1000	1100	1200	1300	1400	1500	1600	1700	1800	1900	2000	2100	2200	
1814	Dry																			
	0.078	0.114	0.156	0.198	0.253															
	Wet																			
2414	0.096	0.138	0.183	0.213	0.277															
	Dry																			
	0.070	0.103	0.143	0.182	0.233	0.290	0.354													
2417	Wet																			
	0.089	0.128	0.171	0.214	0.269	0.336	0.413													
	Dry																			
3014	0.048	0.068	0.090	0.112	0.140	0.170	0.203													
	Wet																			
	0.064	0.091	0.122	0.150	0.188	0.224	0.263													
3017	Dry																			
	0.042	0.060	0.080	0.102	0.128	0.157	0.188	0.222	0.259											
	Wet																			
3617 T3617	0.055	0.076	0.104	0.127	0.158	0.190	0.225	0.266	0.309											
	Dry																			
	0.043	0.061	0.082	0.103	0.128	0.157	0.189	0.221	0.259	0.299	0.341									
3621	Wet																			
	0.056	0.079	0.107	0.133	0.166	0.200	0.236	0.276	0.315	0.361	0.413									
	Dry																			
4221 T4221	0.035	0.048	0.062	0.076	0.093	0.111	0.132	0.153	0.177	0.201	0.228									
	Wet																			
	0.049	0.066	0.085	0.100	0.122	0.144	0.171	0.192	0.217	0.245	0.276									
4821 T4821	Dry																			
	0.030	0.041	0.054	0.066	0.082	0.099	0.118	0.137	0.158	0.180	0.205	0.231	0.259							
	Wet																			
4824	0.043	0.059	0.078	0.101	0.126	0.153	0.181	0.207	0.234	0.260	0.288	0.319	0.354							
	Dry																			
			0.047	0.060	0.075	0.092	0.110	0.130	0.152	0.176	0.204	0.230	0.256	0.284	0.318					
6024 T6024	Wet																			
			0.053	0.067	0.085	0.104	0.125	0.147	0.172	0.200	0.228	0.259	0.292	0.327	0.365					
	Dry																			
6024 T6024			0.015	0.046	0.057	0.069	0.094	0.019	0.119	0.124	0.140	0.158	0.175	0.195	0.214					
	Wet																			
			0.032	0.050	0.066	0.081	0.097	0.114	0.131	0.150	0.169	0.190	0.211	0.233	0.257					
6024 T6024	Dry																			
					0.062	0.073	0.084	0.097	0.111	0.126	0.138	0.154	0.172	0.190	0.210	0.228	0.251	0.273	0.293	
	Wet																			
				0.082	0.096	0.112	0.129	0.145	0.163	0.171	0.191	0.212	0.235	0.258	0.283	0.310	0.336	0.366		

CNPVP / CNRVP / CNPVT / CNRVT / CNPVU / CNRVU

ACCESSORIES

EMPTY COIL CASING ACCESSORY FOR UNCASD N-COIL

ACCESSORY PART NUMBER	NOMINAL COIL SIZES	DIMENSIONS (IN.)		
		H	W	D
KCAKC2612ECC	CN(P,R)VU1814, 2414, 3014,	17	14-3/16	21
KCAKC2712ECC	CN(P,R)VU2417, 3017, 3617	17	17-1/2	21
KCAKC2808ECC	CN(P,R)VU3621, 4221, 4821	22-1/16	21	21
KCAKC2904ECC	CN(P,R)VU4824, 6024	26-5/16	24-1/2	21