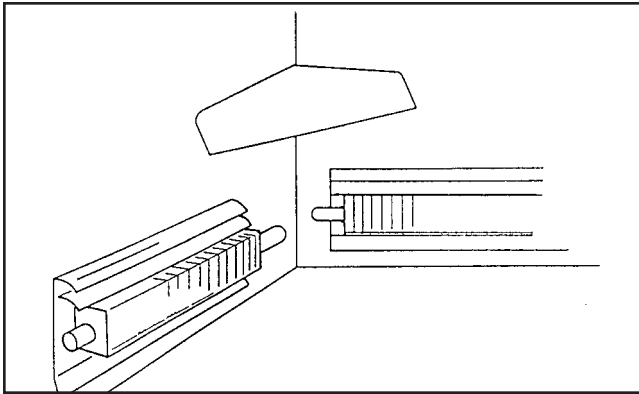


Field Adaptable Inside Corner

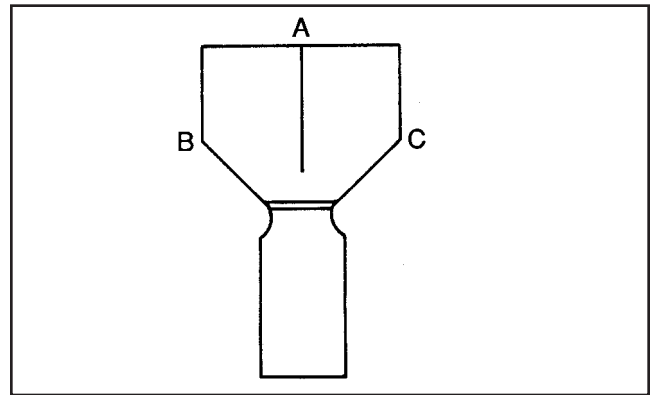
INSTALLATION INSTRUCTIONS

FINE/LINE 30
MULTI/PAK 80
BASE/LINE 2000

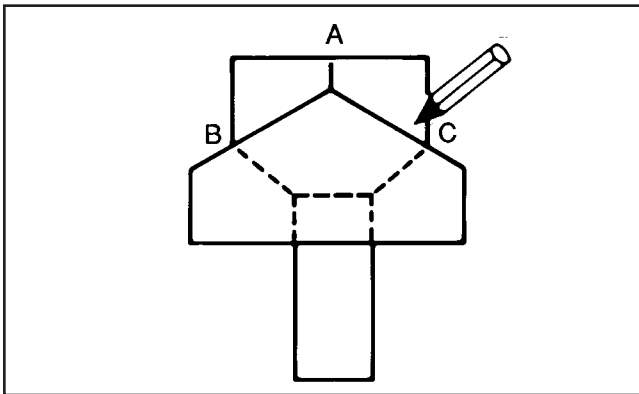
For bay windows and any other place where the corners are not square, it's easy to make an inside corner piece that fits perfectly when you use Slant/Fin's field adaptable inside corner. The illustrations below picture Fine/Line 30 baseboard. Follow the same procedure for Base/Line 2000 or Multi/Pak 80 field adaptable inside corners.



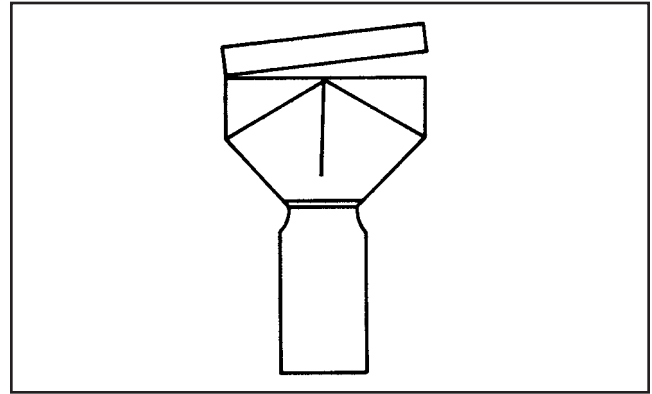
1. Using cardboard, cut a template to the exact angle of a corner.



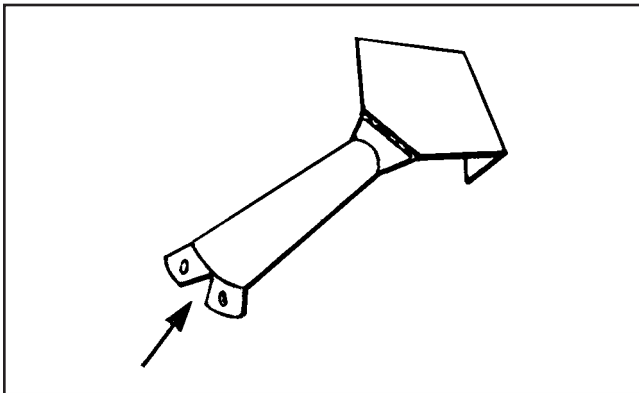
2. On the inside of the top corner piece provided, draw a vertical line from point A (center of top) down towards the hinge.



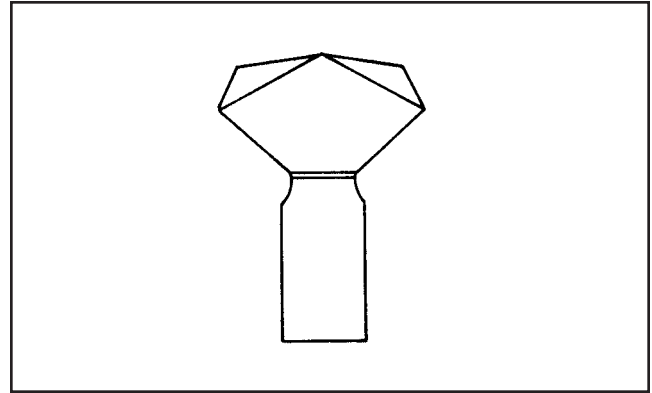
3. Place template so the corner is on the line below point A, and its edges are over points B and C. Mark new bend lines.



4. Cut off the portion above the corner of the new angle as shown. Bend flange along new bend angle.



5. For Multi/Pak 80 only - front door may have to be flattened to fit. If so, notch flange bottom of front removing material.



6. Front view.



Slant/Fin Corp. Copyright 2016 • Publication IC-40 Printed in the USA 516

SLANT/FIN CORPORATION, Greenvale, N.Y. 11548 • Phone: (516) 484-2600

FAX: (516) 484-0933 • Canada: Slant/Fin LTD/LTEE, Mississauga, Ontario

www.slantfin.com