

# 007<sup>e</sup>

## Water Circulation Pumps & Circulators

### 007<sup>e</sup>™ ECM High-Efficiency Circulator

Taco 007e is a high-efficiency wet rotor circulator with an ECM permanent magnet motor. The 007e is everything you love about the 007. It is ideal for hydronic systems zoned with circulators or zone valves. The 007e delivers the performance equivalent of the 007 plus the reliability and easy installation that made the 00<sup>®</sup> famous. **Install it, forget it.™**



- ECM performance equivalent to the legendary 007 circulator
- High-efficiency ECM motor uses up to 85% less electricity
- Ideal for hydronic systems zoned with circulators or zone valves
- **BIO Barrier<sup>®</sup>** protects pump from system contaminants
- **SureStart™** automatically frees locked rotor condition and self-purges air from pump.
- Integral Flow Check (IFC<sup>®</sup>) included



## Features & Applications

The 007e™ is ideal for hydronic baseboard systems.



- Dual electrical knockouts, 6" stranded wire leads included for easy wiring.
- Use with a Taco ZVC Zone Valve Control or SR Switching Relay for ON/OFF operation.
- 10' Shut-off head, 16 gpm max flow.
- Optional 2-way flange model reduces SKU's and provides universal fit-up to any flange position.
- Double insulated. No ground wire required.
- Whisper quiet operation.



**Orange LED:**

Indicates 007e is running normally.

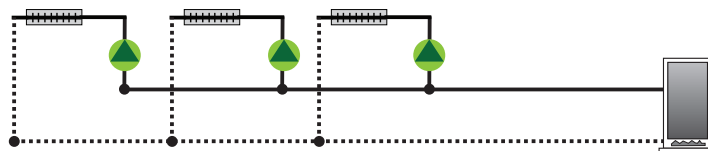


**SureStart™ LED:**

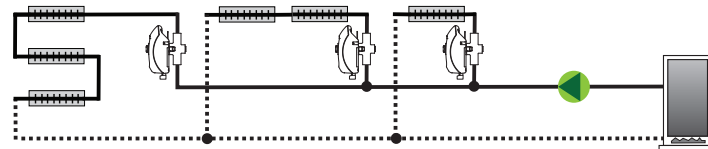
Indicates the innovative **SureStart™** automatic unblocking and air purge is active.

### Typical Applications

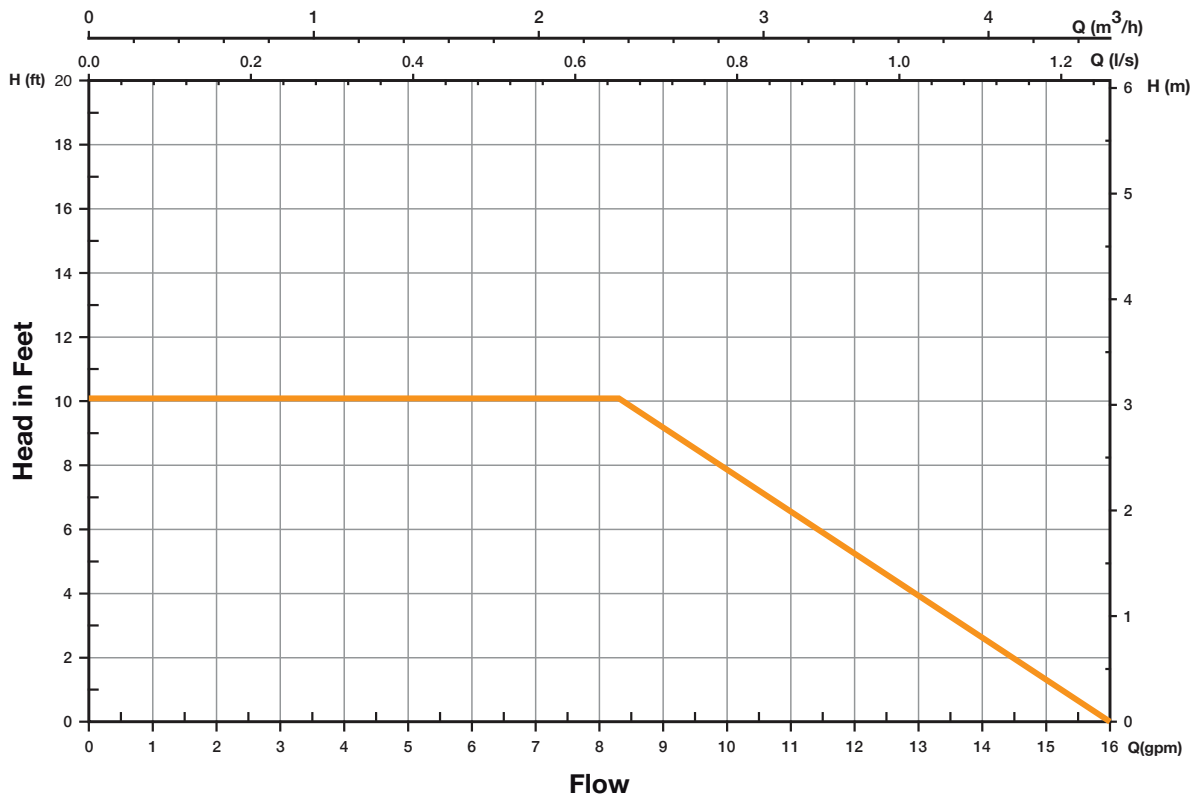
For zoning with circulators



Across a series loop system using zone valves



007e™ Performance Curve



The 007e performance is ideal for hydronic zoning to reduce velocity noise or banging of zone valves closing against high head pressure circulators.

# Submittal Data Information Taco 007e™ ECM Circulator

Submittal Data # 101-177

Effective: 03/30/16

Supersedes: New

## Specifications

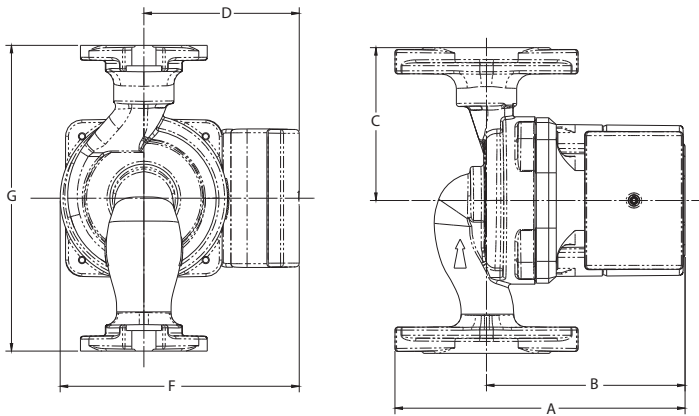
- Max. Shut-off Head: 10 feet
- Max. Flow: 16 gpm
- Max. Operating Pressure: 125 psi (8.6 bar)
- Max. Water Temp: 230°F (110°C)
- Min. Water Temp: 36°F (2°C)
- Electrical specifications:
  - Voltage: 120V, 60 Hz
  - Single phase
  - Max. Operating Power: 44W
  - Max. AMP Rating: 0.54
- Equipped with a cast iron casing and should be used for closed loop systems only
- Not suitable for chilled water or open loop potable water systems
- Taco circulator pumps are for indoor use only
- Acceptable for use with water or maximum of 50% water/glycol solution

## Materials of Construction:

Casing: .....Cast Iron  
 Stator Housing: .....Composite  
 Cartridge: .....Composite  
 Impeller: .....Composite  
 Shaft: .....Ceramic  
 Bearings: .....Carbon  
 Thrust Bearing: .....Ceramic  
 O-Ring & Gaskets: .....EPDM

## Applications

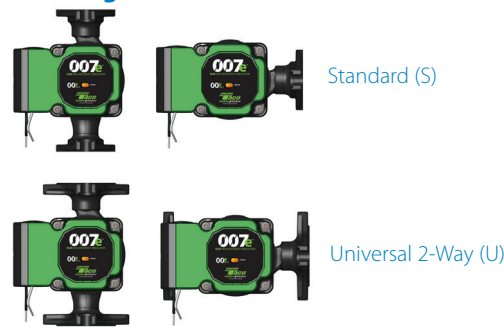
The 007e is a high-efficiency wet rotor circulator with an ECM permanent magnet motor. Its ECM performance is equivalent to the legendary 007 circulator and is ideal for hydronic systems zoned with circulators or zone valves. The 007e is not suitable for chilled water or open loop potable water systems.



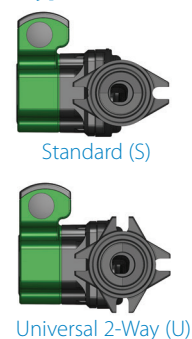
## Pump Dimensions & Weights

Model	Flange Type	A		B		C		D		F		G		Ship Wt.	
		in.	mm	in.	mm	in.	mm	in.	mm	in.	mm	in.	mm	lbs.	Kg
007e-F2	S	6	152	4-1/8	104	3-3/16	80	3-1/4	82	5	126	6-3/8	161	5.8	2.6
007e-F4	U	6	152	4-1/8	104	3-3/16	80	3-1/4	82	5-1/8	130	6-3/8	161	6	2.7

## Mounting Positions



## Flange Type



## Electrical Data

Model	Volts	Hz	Ph	Max.Amps	Max. Watts	RPM
Both Models	120	60	1	.54	44	4830
Motor Type	ECM, Permanent Magnet, Thermally Protected					



Taco Inc., 1160 Cranston Street, Cranston, RI 02920 / (401) 942-8000 / Fax (401) 942-2360  
 Taco (Canada) Ltd., 8450 Lawson Road, Unit #3, Milton, Ontario L9T 0J8 / (905) 564-9422 / Fax (905) 564-9436