



Models
PEG075EID
PEG112EID
PEG150EID
PEG187EID
PEG225EID
PEG262EID
PEG299EID

PEG-E **GAS-FIRED** **STEAM BOILERS**

PARTS AND **OPTIONAL ACCESSORIES**

Ordering Instructions

Order Parts through your nearest supplier.

When ordering parts, obtain Model Number and Serial Number from data plate on your boiler.

Include following information when ordering.

Part Number _____

Part Description _____

Boiler Model Number _____

Boiler Serial Number _____



An ISO 9001-2008 Certified Company

Manufactured by:

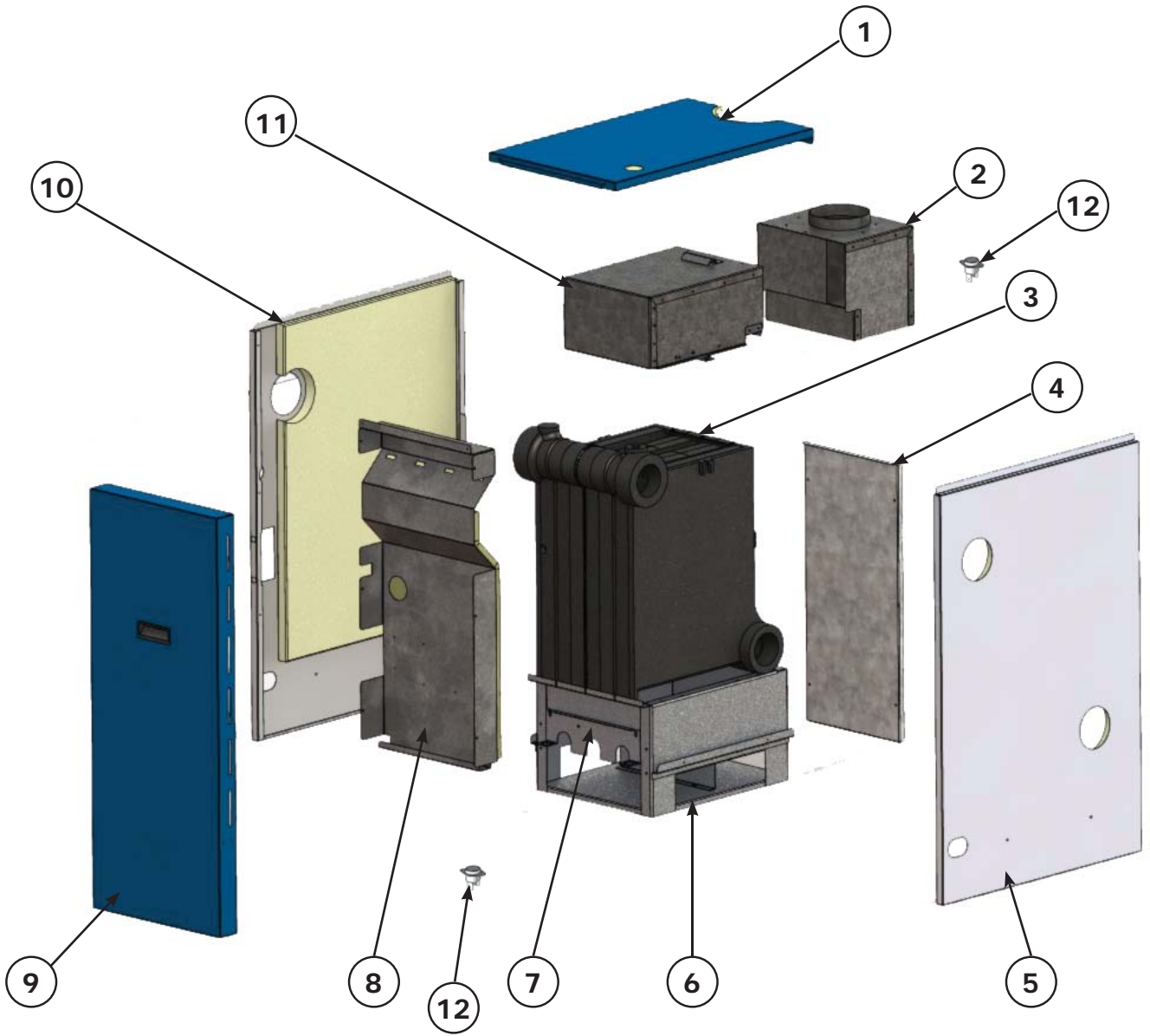
ECR International, Inc.

2201 Dwyer Avenue, Utica NY 13504-4729

web site: www.ecrinternational.com

P/N# 240009939, Rev. C [04/2013]

JACKET SECTION AND BASE PARTS



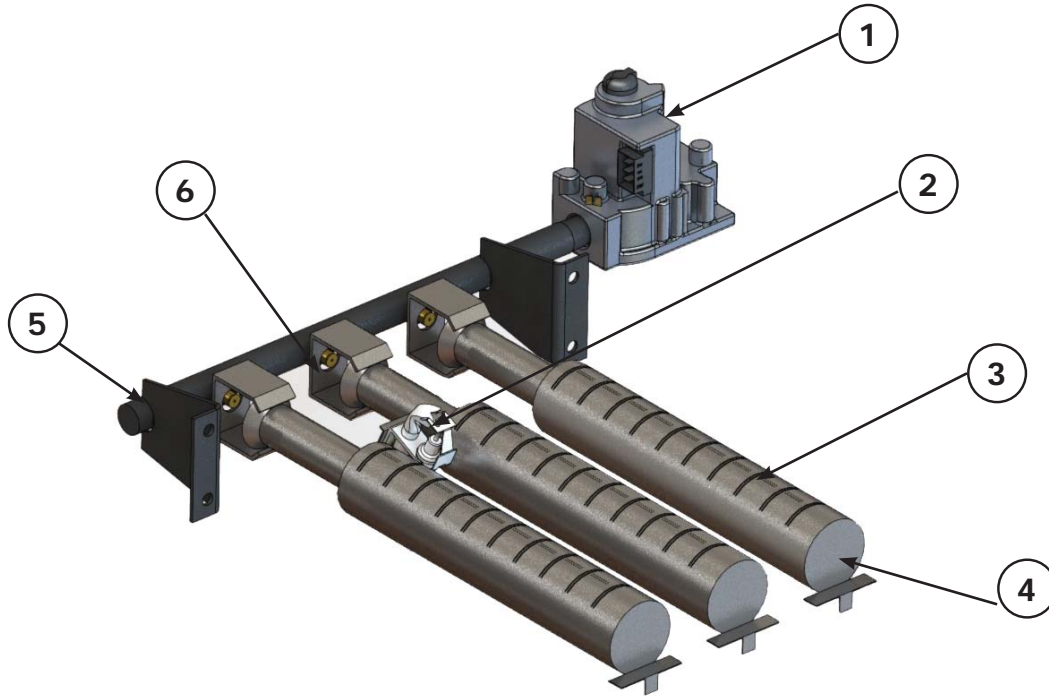
REPAIR PARTS

JACKET SECTION AND BASE PARTS

| Jacket, Heat Exchanger and Base | | | | | |
|---------------------------------|-----------------------------|-------------|------|----------------------------|-------------|
| Item | Description | Part no | Item | Description | Part no |
| 1 | Top Panel PEG075 | 109009011AC | 7 | Rollout Shield 075 | 109008905 |
| | Top Panel PEG112 | 109009012AC | | Rollout Shield 112 | 109008906 |
| | Top Panel PEG150 | 109009013AC | | Rollout Shield 150 | 109008907 |
| | Top Panel PEG187 | 109009014AC | | Rollout Shield 187 | 109008908 |
| | Top Panel PEG225 | 109009015AC | | Rollout Shield 225 | 109008909 |
| | Top Panel PEG262 | 109009016AC | | Rollout Shield 262 | 109008910 |
| | Top Panel PEG299 | 109009017AC | | Rollout Shield 299 | 109008911 |
| 2 | Draft Hood Assy 075 | 3002050 | 8 | Intermediate Panel ,PEG075 | 109009018 |
| | Draft Hood Assy 112 | 3002051 | | Intermediate Panel ,PEG112 | 109009019 |
| | Draft Hood Assy 150 | 3002052 | | Intermediate Panel ,PEG150 | 109009020 |
| | Draft Hood Assy 187 | 3002053 | | Intermediate Panel ,PEG187 | 109009021 |
| | Draft Hood Assy 225 | 3002054 | | Intermediate Panel ,PEG225 | 109009022 |
| | Draft Hood Assy 262 | 3002055 | | Intermediate Panel ,PEG262 | 109009023 |
| | Draft Hood Assy 299 | 3002056 | | Intermediate Panel ,PEG299 | 109009024 |
| 3 | Heat Exchanger Series E 075 | 912000065 | 9 | Access Door PEG075 | 109008837AC |
| | Heat Exchanger Series E 112 | 912000066 | | Access Door PEG112 | 109008838AC |
| | Heat Exchanger Series E 150 | 912000067 | | Access Door PEG150 | 109008839AC |
| | Heat Exchanger Series E 187 | 912000068 | | Access Door PEG187 | 109008840AC |
| | Heat Exchanger Series E 225 | 912000069 | | Access Door PEG225 | 109008841AC |
| | Heat Exchanger Series E 262 | 912000070 | | Access Door PEG262 | 109008842AC |
| | Heat Exchanger Series E 299 | 912000071 | | Access Door PEG299 | 109008843AC |
| 4 | Rear Panel PEG075 | 109009025 | 10 | Left Panel | 109009010AD |
| | Rear Panel PEG112 | 109009026 | 11 | Flue collector Assy 075 | 3002043 |
| | Rear Panel PEG150 | 109009027 | | Flue collector Assy 112 | 3002044 |
| | Rear Panel PEG187 | 109009028 | | Flue collector Assy 150 | 3002045 |
| | Rear Panel PEG225 | 109009029 | | Flue collector Assy 187 | 3002046 |
| | Rear Panel PEG262 | 109009030 | | Flue collector Assy 225 | 3002047 |
| | Rear Panel PEG299 | 109009031 | | Flue collector Assy 262 | 3002048 |
| | | | | Flue collector Assy 299 | 3002049 |
| 5 | Right Panel | 109008822AD | 12 | Blocked Vent Switch | AQ02101 |
| 6 | Base, 075 | 42500663 | 13 | Rollout Switch | AQ02101 |
| | Base, 112 | 42500664 | | | |
| | Base, 150 | 42500665 | | | |
| | Base, 187 | 42500666 | | | |
| | Base, 225 | 42500667 | | | |
| | Base, 262 | 42500668 | | | |
| | Base, 299 | 42500669 | | | |

REPAIR PARTS

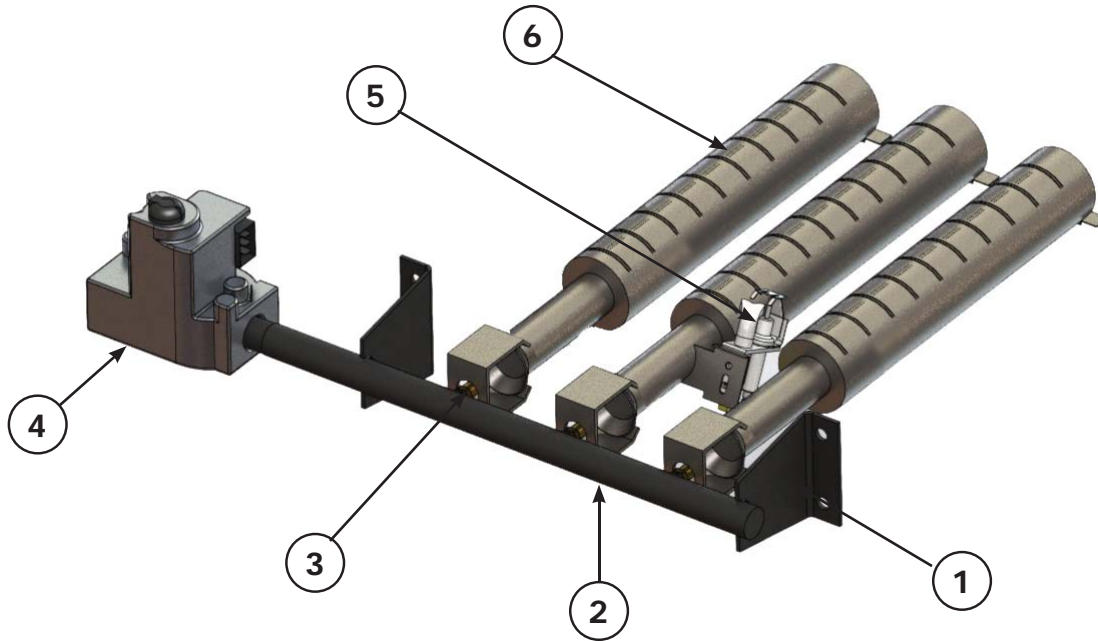
NATURAL GAS BURNERS AND MANIFOLD PARTS



| Natural Gas Valve, Manifold & Burners | | |
|--|---|-----------|
| Item | Description | Part no |
| 1 | 1/2 x 1/2 Valve, Natural Gas, Spark, 075 thru 150 | VG01101 |
| | 3/4 x 3/4 Valve, Natural Gas, Spark 187 thru 299 | VG01103 |
| 2 | Natural Gas Burner Pilot | 14662092 |
| 3 | Burner, Pilot, Titan, SST | 14615531 |
| 4 | Burner | 14615532 |
| 5 | 1/2" Manifold, 075 | 14616033 |
| | 1/2" Manifold, 112 | 14616034 |
| | 1/2" Manifold, 150 | 14616035 |
| | 3/4" Manifold, 187 | 14616013 |
| | 3/4" Manifold, 225 | 14616014 |
| | 3/4" Manifold, 262 | 14616015 |
| | 3/4" Manifold, 299 | 14616016 |
| 6 | Orifice, 1/8", #34 drill | 14615031 |
| Not Shown | Pilot Kit - Includes Tubing & Fitting | 550002793 |

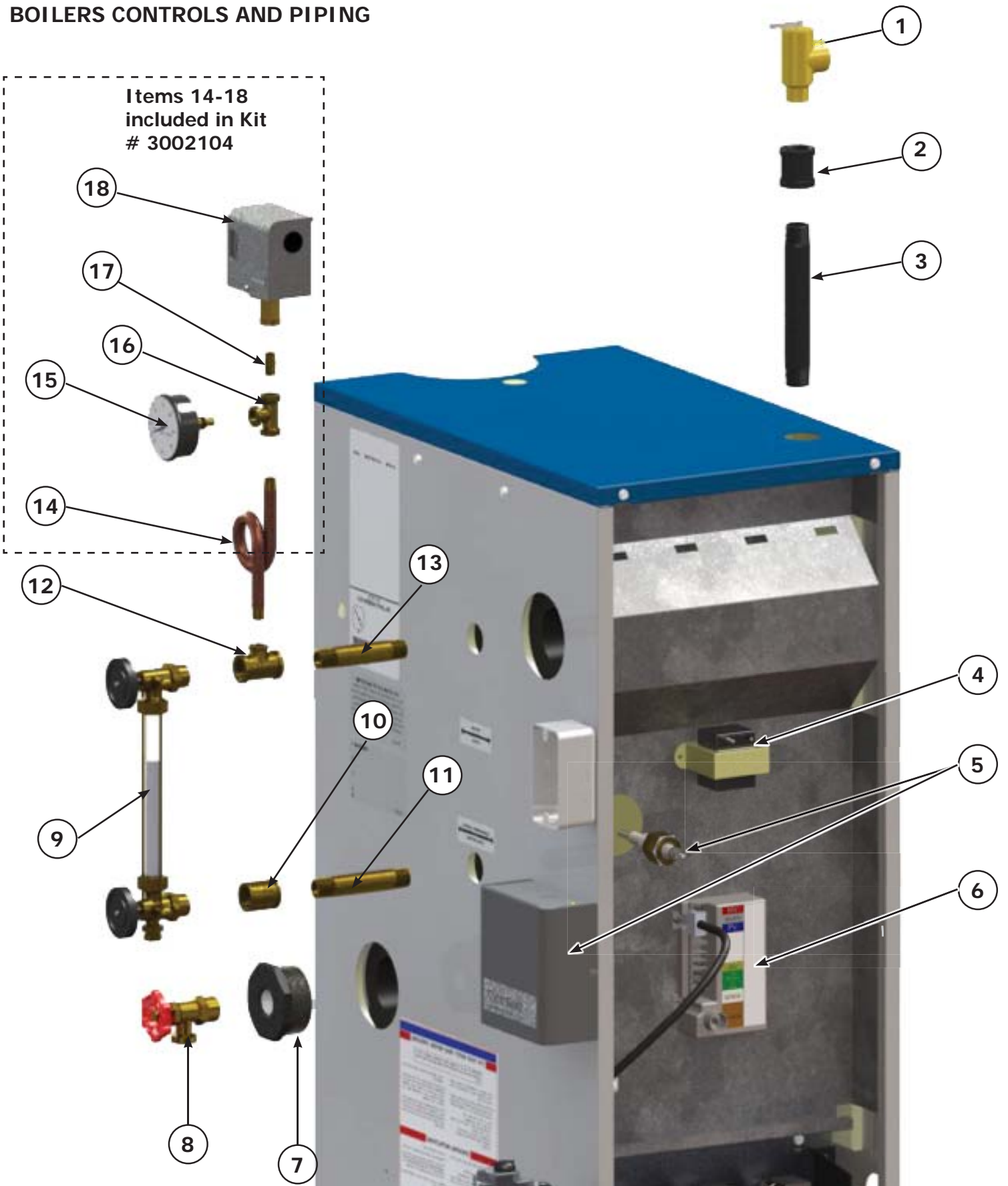
REPAIR PARTS

PROPANE GAS BURNERS AND MANIFOLD PARTS



| Propane Gas Valve, Manifold & Burners | | |
|---------------------------------------|--|-----------|
| Item | Description | Part no |
| 1 | Burner with Pilot bracket | 14615531 |
| 2 | ½" Manifold, 075 | 14616033 |
| | ½" Manifold, 112 | 14616034 |
| | ½" Manifold, 150 | 14616035 |
| | ¾" Manifold, 187 | 14616013 |
| | ¾" Manifold, 225 | 14616014 |
| | ¾" Manifold, 262 | 14616015 |
| | ¾" Manifold, 299 | 14616016 |
| 3 | Orifice 1/4 NPT, #51 drill, 075 thru 150 | 14615036 |
| | Orifice 1/2 NPT, #51 drill, 187 thru 299 | 14615064 |
| 4 | 1/2" Gas Valve 075 thru 150 | 240007039 |
| | ¾" Gas Valve for 187 thru 299 | 240007040 |
| 5 | Propane Gas Pilot | 14662094 |
| 6 | Burner | 14615532 |
| Not Shown | Pilot Kit - Includes Tubing | 550002794 |

BOILERS CONTROLS AND PIPING



REPAIR PARTS

| Boiler Controls & Piping | | |
|--|---|-----------|
| Item | Description | Part no |
| 1 | 3/4" ASME Relief Valve, 15PSI | 1570001 |
| 2 | 3/4" Coupling, Black Iron | 1150001 |
| 3 | 3/4 Nipple x 6", Sch 80, Black Iron | 14607002 |
| 4 | Transformer, AT150D 1001,50VA | 240008782 |
| 5 | Hydrolevel Cycle Guard CG400-2090 LWCO | 240009896 |
| 6 | Spark Ignition Control | 14662070 |
| 7 | 2"x 3/4 Bushing | 240009723 |
| 8 | 3/4" Drain Valve | 240009323 |
| 9 | 8" Water Gauge Glass | GA-004.00 |
| 10 | 1/2 Coupling, brass | 14693052 |
| 11 | 1/2" x 4 1/4" Brass Nipple | 240009891 |
| 12 | 1/2 x 1/2 x 1/4 Tee, brass | 14693051 |
| 13 | 1/2" x 4" Brass Nipple | PF-033.02 |
| Items 14-18 included in Kit # 3002104 | | |
| 14 | Syphon loop, 1/4" brass | 14643005 |
| 15 | Pressure Gauge | 14623006 |
| 16 | 1/4" Tee, brass | 14693057 |
| 17 | 1/4" Close Nipple, Brass | 240009692 |
| 18 | Honeywell Pressuretrol PA404A1074 0.5 to 9 psi | 14662015 |
| * | 2" NPT Plug | 240009724 |
| * | Wire Harness | 240009875 |
| * | Gas Valve Harness | 37413602 |
| * Not Shown | | |

REPAIR PARTS

| Automatic Damper | | |
|-------------------------|-----------|-----------------|
| Boiler Size | Part no | Damper Diameter |
| 075 | 240006937 | 5" |
| 112 | 240006937 | 5" |
| 150 | 240006938 | 6" |
| 187 | 240006939 | 7" |
| 225 | 240006939 | 7" |
| 262 | 240006939 | 7" |
| 299 | 240006939 | 7" |

| Conversion Kit Numbers Sea Level to 2000 ft | | |
|--|----------------------|----------------------|
| Boiler Size | Part no | |
| | Natural Gas to LP | LP to Natural Gas |
| 075 | 550002702 | 550002704 |
| 112 | | |
| 150 | | |
| 187 | 550002703 | 550002705 |
| 225 | | |
| 262 | | |
| 299 | | |



UTICA BOILERS
2201 Dwyer Avenue
Utica NY 13501

web site: www.ecrinternational.com