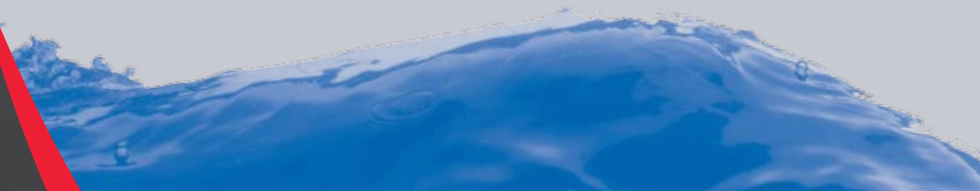


Webstone

VALVE INNOVATION

**CONNECTIONS
MADE SIMPLE**

**PRO-CONNECT™
PRO-PUSH**



PRO-CONNECT™ PRO PUSH

LEAD FREE
CLEAN BRASS
THE CLEAR CHOICE FOR THE PROFESSIONAL

Complies with all federal & state low lead laws



- No more solder, glue, clamps, costly tools or clean-up!
- Push-on connection to copper, CPVC or PEX
- Easily recover from installation & deburring mishaps
- Forged from DZR Brass for use underground
- Fully removable connection
- PEX inserts included with all products
- Guaranteed for life



PRO-CONNECT PUSH™ BALL VALVE

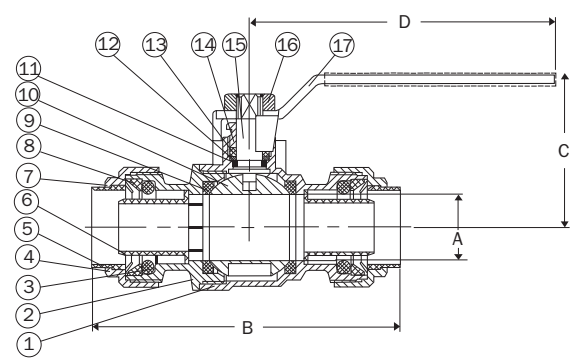
Full Port Forged Dezincification Resistant Brass Ball Valve
w/ Adjustable Packing Gland • For Connection to Copper, CPVC, or PEX • Lead Free

ISO 9001
200 PSI / 200°F

INDIVIDUALLY PACKED Certified to ASSE 1061 & NSF/ANSI 61-G
BULK PACKED Certified to ASSE 1061 & NSF/ANSI 61-G

| SIZE | ITEM # | CTN/CS | ITEM # | CTN/CS | A | B | C | D |
|-------------|--------|--------|----------|--------|-----|--------|---------|--------|
| Push x Push | | | | | | | | |
| 1/2" | 62702W | 10/100 | 62702W-B | 12/72 | 1/2 | 3 | 1 11/16 | 3 5/8 |
| 3/4" | 62703W | 10/100 | 62703W-B | 12/48 | 3/4 | 3 5/16 | 1 13/16 | 3 5/8 |
| 1" | 62704W | 5/50 | 62704W-B | 6/24 | 1 | 3 7/8 | 2 7/16 | 4 3/16 |

| NO. | DESCRIPTION | MATERIAL |
|-----|----------------|---------------------|
| 1 | BODY | BRASS |
| 2 | END CAP | BRASS |
| 3 | O-RING | EPDM |
| 4 | NUT | BRASS |
| 5 | RELEASE COLLAR | PLASTIC |
| 6 | INNER LINING | PLASTIC |
| 7 | GRIP RING | STAINLESS STEEL 304 |
| 8 | PROTECTOR | PLASTIC |
| 9 | SEAT SEAL | PTFE |
| 10 | BALL | BRASS HCP |
| 11 | O-RING | EPDM |
| 12 | METAL GASKET | BRASS |
| 13 | STEM PACKING | PTFE |
| 14 | PACKING GLAND | BRASS |
| 15 | STEM | BRASS |
| 16 | LOCK NUT | STEEL ZP |
| 17 | HANDLE | STEEL CP |



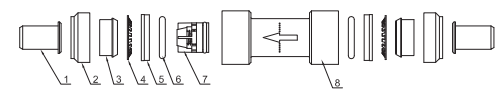
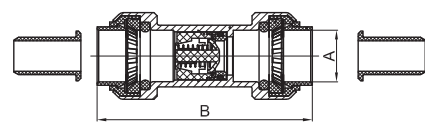
PRO-CONNECT PUSH™ IN-LINE SPRING CHECK VALVE

Forged Dezincification Resistant Brass
For Connection to Copper, CPVC, or PEX • Lead Free

ISO 9001
200 PSI/200°F MAX

INDIVIDUALLY PACKED Certified to ASSE 1061 & NSF/ANSI 61-G
BULK PACKED Certified to ASSE 1061 & NSF/ANSI 61-G

| SIZE | ITEM # | CTN/CS | ITEM # | CTN/CS | A | B | NO. | DESCRIPTION | MATERIAL |
|------|--------|--------|----------|--------|-----|--------|-----|--------------|---------------------|
| Push | | | | | | | 1 | INNER LINING | PLASTIC |
| 1/2" | - | - | 26992W-B | 6/120 | 1/2 | 2 2/3 | 2 | PROTECTOR | PLASTIC |
| 3/4" | 26993W | 12/120 | 26993W-B | 6/72 | 3/4 | 3 3/16 | 3 | PUSH RING | PLASTIC |
| 1" | - | - | 26994W-B | 3/45 | 1 | 3 7/8 | 4 | GRIP RING | STAINLESS STEEL 304 |
| | | | | | | | 5 | LOCK RING | PLASTIC |
| | | | | | | | 6 | O-RING | EPDM |
| | | | | | | | 7 | CHECK VALVE | PLASTIC |
| | | | | | | | 8 | BODY | BRASS |



LEAD FREE
CLEAN BRASS
THE CLEAR CHOICE FOR THE PROFESSIONAL



LEAD FREE
CLEAN BRASS
THE CLEAR CHOICE FOR THE PROFESSIONAL



PRO-CONNECT PUSH™ 1/4 TURN SUPPLY STOPS

Chrome Plated Dezincification Resistant Brass · For Connection to Copper, CPVC, or PEX · **Lead Free**

ISO 9001

INDIVIDUALLY PACKED

Certified to IGC 157 & NSF/ANSI 61-G

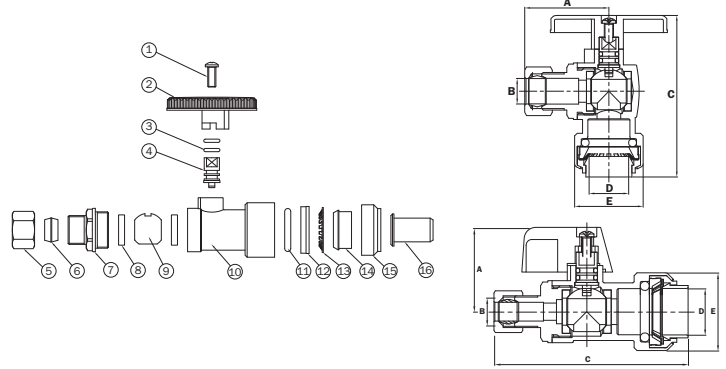
BULK PACKED

Certified to IGC 157 & NSF/ANSI 61-G

| SIZE | ITEM # | CTN/CS | ITEM # | CTN/CS | A | B | C | D | E |
|-----------------------|--------|--------|----------|--------|-------|-----|--------|-----|---|
| ANGLE | | | | | | | | | |
| Push x OD Comp | | | | | | | | | |
| 1/2" x 1/4" | 26820W | 20/200 | 26820W-B | 6/120 | 1 1/4 | 1/4 | 2 7/16 | 1/2 | 1 |
| 1/2" x 3/8" | 26821W | 20/200 | 26821W-B | 12/120 | 1 1/4 | 3/8 | 2 7/16 | 1/2 | 1 |

| SIZE | ITEM # | CTN/CS | ITEM # | CTN/CS | A | B | C | D | E |
|-----------------------|--------|--------|----------|--------|--------|-----|--------|-----|--------|
| STRAIGHT | | | | | | | | | |
| Push x OD Comp | | | | | | | | | |
| 1/2" x 1/4" | 26920W | 20/200 | 26920W-B | 6/120 | 1 1/8 | 1/4 | 2 9/16 | 1/2 | 1 1/16 |
| 1/2" x 3/8" | 26921W | 20/200 | 26921W-B | 12/120 | 1 3/16 | 3/8 | 2 7/8 | 1/2 | 1 1/16 |

| NO. | DESCRIPTION | MATERIAL |
|-----|--------------|-----------------|
| 1 | BOLT | STAINLESS STEEL |
| 2 | HANDLE | ALUMINUM |
| 3 | O RING | NBR |
| 4 | STEM | BRASS |
| 5 | UNION NUT | LEAD FREE BRASS |
| 6 | CRIMP | BRASS |
| 7 | BONNET | LF BRASS |
| 8 | SEALS | PTFE |
| 9 | BALL | LF BRASS |
| 10 | BODY | LF BRASS |
| 11 | O RING | EPDM |
| 12 | PROTECTOR | PLASTIC |
| 13 | GRIP RING | STAINLESS STEEL |
| 14 | COLLAR | PLASTIC |
| 15 | RELEASE RING | PLASTIC |
| 16 | INNER LINER | PLASTIC |



PRO-CONNECT PUSH™ FLEXIBLE BRAIDED STAINLESS STEEL WATER HEATER CONNECTOR

Water Heater Connector w/ Full Port Forged Dezincification Resistant Brass Ball Valve
For Connection to Copper, CPVC, or PEX · **Lead Free**

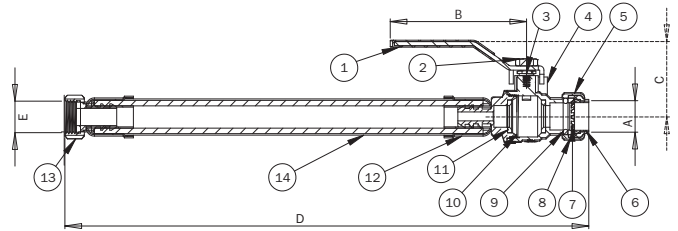
ISO 9001
200 PSI/200°F MAX

INDIVIDUALLY PACKED
Certified to ASME A112.18.6 / CSA B125.6 & NSF/ANSI 61-G

BULK PACKED
Certified to ASME A112.18.6 / CSA B125.6 & NSF/ANSI 61-G

| SIZE | ITEM # | CTN/CS | ITEM # | CTN/CS | A | B | C | D | E |
|-------------------|-----------|--------|-------------|--------|-----|-------|-------|----|-----|
| Push x FIP | | | | | | | | | |
| 1/2" x 3/4" | 62023W-18 | 1/25 | 62023W-18-B | 12/48 | 1/2 | 2 4/5 | 1 1/2 | 18 | 3/4 |
| 3/4" | 62033W-18 | 1/25 | 62033W-18-B | 12/36 | 3/4 | 2 4/5 | 1 1/2 | 18 | 3/4 |

| NO. | DESCRIPTION | MATERIAL |
|-----|----------------|--------------------------------|
| 1 | STEEL HANDLE | STEEL CP |
| 2 | NUT | STAINLESS STEEL |
| 3 | PACKING NUT | LF BRASS |
| 4 | BODY | LF BRASS |
| 5 | END CAP | LF BRASS |
| 6 | RELEASE RING | PLASTIC |
| 7 | GRIP RING | STAINLESS STEEL |
| 8 | PROTECTOR RING | PLASTIC |
| 9 | O-RING | EPDM |
| 10 | BALL | BRASS HCP |
| 11 | SEAT | PTFE |
| 12 | FERRULE | STAINLESS STEEL |
| 13 | NUT | LF BRASS |
| 14 | FLEXIBLE HOSE | BRAIDED STAINLESS STEEL / EPDM |



LEAD FREE
CLEAN BRASS
THE CLEAR CHOICE FOR THE PROFESSIONAL



PRO-CONNECT PUSH™ FLEXIBLE WATER HEATER CONNECTOR

Flexible Water Heater Connector, Braided Stainless Steel
For Connection to Copper, CPVC, or PEX · **Lead Free**

ISO 9001
200 PSI/200°F MAX

INDIVIDUALLY PACKED
Certified to ASME A112.18.6 / CSA B125.6 & NSF/ANSI 61-G

BULK PACKED
Certified to ASME A112.18.6 / CSA B125.6 & NSF/ANSI 61-G

| SIZE | ITEM # | CTN/CS | ITEM # | CTN/CS |
|-------------------|-----------|--------|-------------|--------|
| Push x FIP | | | | |
| 1/2" x 3/4" | - | - | 26023W-12-B | 12/60 |
| 1/2" x 3/4" | - | - | 26023W-15-B | 12/60 |
| 1/2" x 3/4" | 26023W-18 | 1/50 | 26023W-18-B | 12/60 |
| 1/2" x 3/4" | - | - | 26023W-24-B | 12/60 |
| 3/4" | 26033W-12 | 1/50 | 26033W-12-B | 12/48 |
| 3/4" | 26033W-15 | 1/50 | 26033W-15-B | 12/48 |
| 3/4" | 26033W-18 | 1/50 | 26033W-18-B | 12/36 |
| 3/4" | 26033W-24 | 1/50 | 26033W-24-B | 12/36 |

LEAD FREE
CLEAN BRASS
THE CLEAR CHOICE FOR THE PROFESSIONAL



PRO-CONNECT PUSH™ FITTINGS

Forged Dezincification Resistant Brass Fittings
For Connection to Copper, CPVC, or PEX • **Lead Free** ISO 9001
200 PSI / 200°F



INDIVIDUALLY PACKED
Certified to ASSE 1061 & NSF/ANSI 61-G

BULK PACKED
Certified to ASSE 1061 & NSF/ANSI 61-G

| SIZE | ITEM # | CTN/CS | ITEM # | CTN/CS |
|--------------------------|--------|--------|----------|--------|
| STRAIGHT COUPLING | | | | |
| Push x Push | | | | |
| 1/4" | - | - | 26100W-B | 6/600 |
| 1/4" x 1/2" | - | - | 26120W-B | 6/150 |
| 3/8" | 26101W | 25/250 | 26101W-B | 6/360 |
| 3/8" x 1/2" | 26112W | 25/250 | 26112W-B | 6/150 |
| 1/2" | 26102W | 25/250 | 26102W-B | 12/240 |
| 3/4" | 26103W | 10/100 | 26103W-B | 12/180 |
| 3/4" x 1/2" | 26132W | 15/150 | 26132W-B | 12/120 |
| 1" | 26104W | 9/90 | 26104W-B | 6/90 |
| 1" x 3/4" | 26143W | 9/90 | 26143W-B | 6/90 |

| FEMALE STRAIGHT CONNECTOR | | | | |
|----------------------------------|--------|--------|----------|--------|
| Push x FIP | | | | |
| 1/4" x 1/2" | - | - | 26220W-B | 6/180 |
| 3/8" x 1/2" | - | - | 26212W-B | 6/180 |
| 1/2" | 26202W | 20/200 | 26202W-B | 12/180 |
| 1/2" x 3/4" | 26223W | 20/200 | 26223W-B | 6/150 |
| 3/4" | 26203W | 12/120 | 26203W-B | 6/90 |
| 3/4" x 1/2" | - | - | 26232W-B | 6/180 |
| 3/4" x 1" | - | - | 26234W-B | 6/90 |
| 1" | 26204W | 9/90 | 26204W-B | 6/90 |

| MALE STRAIGHT CONNECTOR | | | | |
|--------------------------------|--------|--------|----------|--------|
| Push x MIP | | | | |
| 1/4" x 1/2" | - | - | 26320W-B | 6/180 |
| 3/8" x 1/2" | - | - | 26312W-B | 6/180 |
| 1/2" | 26302W | 20/200 | 26302W-B | 12/180 |
| 1/2" x 3/4" | 26323W | 20/200 | 26323W-B | 6/120 |
| 3/4" | 26303W | 15/150 | 26303W-B | 12/120 |
| 3/4" x 1/2" | - | - | 26332W-B | 6/150 |
| 3/4" x 1" | - | - | 26334W-B | 6/90 |
| 1" | 26304W | 9/90 | 26304W-B | 6/90 |
| 1" x 3/4" | 26343W | 9/90 | 26343W-B | 6/90 |

| POLYBUTYLENE ADAPTERS | | | | |
|------------------------------|---|---|----------|-------|
| Push x PB | | | | |
| 1/2" | - | - | 26192W-B | 6/120 |
| 3/4" | - | - | 26193W-B | 6/90 |

| 90° ELBOW | | | | |
|--------------------|--------|--------|----------|--------|
| Push x Push | | | | |
| 1/4" | - | - | 26400W-B | 6/360 |
| 3/8" | - | - | 26401W-B | 6/180 |
| 1/2" | 26402W | 20/200 | 26402W-B | 12/180 |
| 1/2" x 3/8" | - | - | 26421W-B | 12/180 |
| 3/4" | 26403W | 12/120 | 26403W-B | 12/96 |
| 3/4" x 1/2" | 26432W | 12/120 | 26432W-B | 6/120 |
| 1" | 26404W | 10/100 | 26404W-B | 6/60 |
| 1" x 3/4" | - | - | 26443W-B | 3/60 |
| Push x FIP | | | | |
| 1/2" | 26422W | 20/200 | 26422W-B | 6/150 |
| Push x MIP | | | | |
| 1/2" | 26222W | 20/200 | 26222W-B | 6/120 |
| 3/4" | - | - | 26233W-B | 6/90 |

| 90° DROP EAR ELBOW | | | | |
|---------------------------|--------|------|----------|--------|
| Push x Push | | | | |
| 1/2" | 26462W | 9/90 | 26462W-B | 12/120 |
| Push x FIP | | | | |
| 1/2" | 26412W | 9/90 | 26412W-B | 6/120 |
| 3/4" | - | - | 26413W-B | 6/90 |

| 90° HY-EAR ELBOW | | | | |
|-------------------------|---|---|------------|-------|
| Push x FIP | | | | |
| 1/2" | - | - | 26412WHE-B | 6/120 |

PRO-CONNECT PUSH™ FITTINGS

Forged Dezincification Resistant Brass Fittings
For Connection to Copper, CPVC, or PEX • **Lead Free** ISO 9001
200 PSI / 200°F



INDIVIDUALLY PACKED
Certified to ASSE 1061 & NSF/ANSI 61-G

BULK PACKED
Certified to ASSE 1061 & NSF/ANSI 61-G

| SIZE | ITEM # | CTN/CS | ITEM # | CTN/CS |
|----------------|--------|--------|----------|--------|
| END CAP | | | | |
| Push | | | | |
| 3/8" | - | - | 26601W-B | 6/300 |
| 1/2" | 26602W | 30/300 | 26602W-B | 12/300 |
| 3/4" | 26603W | 20/200 | 26603W-B | 6/150 |
| 1" | 26604W | 12/120 | 26604W-B | 6/120 |

| TEE | | | | |
|---------------------------|--------|--------|----------|--------|
| Push x Push x Push | | | | |
| 1/4" | - | - | 26500W-B | 6/300 |
| 3/8" | - | - | 26501W-B | 6/150 |
| 3/8" x 3/8" x 1/2" | - | - | 26512W-B | 6/120 |
| 1/2" | 26502W | 12/120 | 26502W-B | 12/120 |
| 1/2" x 1/2" x 1/4" | - | - | 26520W-B | 6/120 |
| 1/2" x 1/2" x 3/8" | - | - | 26521W-B | 6/120 |
| 3/4" | 26503W | 12/120 | 26503W-B | 6/60 |
| 3/4" x 1/2" x 1/2" | 26522W | 18/180 | 26522W-B | 6/90 |
| 3/4" x 3/4" x 1/2" | 26532W | 15/150 | 26532W-B | 6/60 |
| 3/4" x 1/2" x 3/4" | 26533W | 12/120 | 26533W-B | 6/60 |
| 1" | 26504W | 6/60 | 26504W-B | 3/30 |
| 1" x 1" x 3/4" | 26543W | 6/60 | 26543W-B | 3/30 |

| REPAIR TEE | | | | |
|-------------------------------|--------|------|----------|------|
| Push x Push x Push | | | | |
| 1/2" | 26702W | 8/80 | 26702W-B | 3/90 |
| 3/4" | 26703W | 6/60 | 26703W-B | 3/60 |
| Push x Push x FIP | | | | |
| 1/2" | 26722W | 8/80 | 26722W-B | 3/90 |
| 3/4" | 26733W | 6/60 | 26733W-B | 3/60 |
| Push x Push x CTS Slip | | | | |
| 1/2" | - | - | 26752W-B | 6/60 |

| SLIP COUPLING | | | | |
|----------------------|--------|--------|----------|------|
| Push | | | | |
| 1/2" | 26122W | 15/150 | 26122W-B | 3/90 |
| 3/4" | 26133W | 5/50 | 26133W-B | 3/60 |
| 1" | 26144W | 5/50 | 26144W-B | 1/50 |

| NO. | DESCRIPTION | MATERIAL |
|-----|----------------|-----------------|
| 1 | BODY | BRASS |
| 2 | O-RING | EPDM |
| 3 | PROTECTOR | PLASTIC |
| 4 | GRIP RING | STAINLESS STEEL |
| 5 | RELEASE COLLAR | PLASTIC |
| 6 | NUT | BRASS |
| 7 | INNER LINING | PLASTIC |



WATER HEATER REPAIR KITS

Includes: (2) Push x FIP Straight Connectors & Removal Tool
For Connection to Copper, CPVC, or PEX • **Lead Free** ISO 9001
200 PSI / 200°F



INDIVIDUALLY PACKED
Certified to ASSE 1061 & NSF/ANSI 61-G

BULK PACKED
Certified to ASSE 1061 & NSF/ANSI 61-G

| SIZE | ITEM # | CTN/CS | ITEM # | CTN/CS |
|-------------------|-----------|--------|-------------|--------|
| Push x FIP | | | | |
| 1/2" x 3/4" | 26223WKIT | 5/50 | 26223WKIT-B | 12/72 |
| 3/4" | 26203WKIT | 5/50 | 26203WKIT-B | 12/72 |

CONTRACTOR PUSH FITTING KIT

27-Piece Assortment Includes all the Fittings and Tools
For Connection to Copper, CPVC, or PEX • **Lead Free**

ISO 9001
200 PSI / 200°F

26000KIT INCLUDES:



| | | | |
|---|---|---|---|
| <p>1/2" PUSH × PUSH STRAIGHT COUPLING</p> | <p>3/4" PUSH × PUSH STRAIGHT COUPLING</p> | <p>1/2" PUSH × FIP STRAIGHT CONNECTOR</p> | <p>3/4" PUSH × FIP STRAIGHT CONNECTOR</p> |
| <p>1/2" PUSH × MIP STRAIGHT CONNECTOR</p> | <p>3/4" PUSH × MIP STRAIGHT CONNECTOR</p> | <p>1/2" PUSH 90° ELBOW</p> | <p>3/4" PUSH 90° ELBOW</p> |
| <p>1/2" PUSH TEE</p> | <p>3/4" PUSH TEE</p> | <p>1/2" PEX ADAPTER (2 SETS)</p> <p>3/4" PEX ADAPTER (2 SETS)</p> | <p>1/2" REMOVAL TOOL</p> <p>3/4" REMOVAL TOOL</p> |
| | | <p>1/2" PUSH END CAP</p> | <p>3/4" PUSH END CAP</p> |

PEX ADAPTER SET

INDIVIDUALLY PACKED

| SIZE | ITEM # | CTN/CS |
|------|--------|--------|
| 1/2" | 28212 | 1/300 |
| 3/4" | 28213 | 1/300 |
| 1" | 28214 | 1/250 |

BULK PACKED

| ITEM # | CTN/CS |
|---------|--------|
| 28212-B | 1/100 |
| 28213-B | 1/100 |
| 28214-B | 1/100 |



REMOVAL TOOL

INDIVIDUALLY PACKED

| SIZE | ITEM # | CTN/CS |
|------|--------|--------|
| 1/4" | - | - |
| 3/8" | - | - |
| 1/2" | 28112 | 1/300 |
| 3/4" | 28113 | 1/300 |
| 1" | 28114 | 1/250 |

BULK PACKED

| ITEM # | CTN/CS |
|---------|---------|
| 28110-B | 24/1200 |
| 28111-B | 24/1200 |
| 28112-B | 24/1200 |
| 28113-B | 24/600 |
| 28114-B | 12/600 |



DEBURR & GAUGE TOOL

BULK PACKED

| SIZE | ITEM # | CTN/CS |
|-----------|---------|--------|
| 1/4" - 1" | 28000-B | 1/50 |



PRO PERFORMANCE PUSH CONVENIENCE



PRO-CONNECT PRO PUSH™

FITTINGS NOW AVAILABLE IN SIZES UP TO 2"



LEAD FREE
CLEAN
BRASS

PRO-CONNECT PUSH™ STRAIGHT COUPLING

200 PSI/200°F

Forged Dezincification Resistant Brass Fittings
For Connection to Copper, CPVC, or PEX - Lead Free

BULK PACKED

Certified to ASSE 1061
& NSF/ANSI 61-G

| SIZE | ITEM # | CTN/CASE |
|-----------------|----------|----------|
| Push × Push | | |
| 1 1/4" | 26105W-B | 1/30 |
| 1 1/4" × 1" | 26154W-B | 1/30 |
| 1 1/2" | 26106W-B | 1/27 |
| 1 1/2" × 1 1/4" | 26165W-B | 1/20 |
| 2" | 26107W-B | 1/20 |
| 2" × 1 1/2" | 26176W-B | 1/15 |



LEAD FREE
CLEAN
BRASS

PRO-CONNECT PUSH™

FEMALE STRAIGHT CONNECTOR

200 PSI/200°F

Forged Dezincification Resistant Brass Fittings
For Connection to Copper, CPVC, or PEX - Lead Free

BULK PACKED

Certified to ASSE 1061
& NSF/ANSI 61-G

| SIZE | ITEM # | CTN/CASE |
|------------|----------|----------|
| Push × FIP | | |
| 1 1/4" | 26205W-B | 1/30 |
| 1 1/2" | 26206W-B | 1/25 |
| 2" | 26207W-B | 1/20 |



LEAD FREE
CLEAN
BRASS

PRO-CONNECT PUSH™

MALE STRAIGHT CONNECTOR

200 PSI/200°F

Forged Dezincification Resistant Brass Fittings
For Connection to Copper, CPVC, or PEX - Lead Free

BULK PACKED

Certified to ASSE 1061
& NSF/ANSI 61-G

| SIZE | ITEM # | CTN/CASE |
|------------|----------|----------|
| Push × MIP | | |
| 1 1/4" | 26305W-B | 1/30 |
| 1 1/2" | 26306W-B | 1/25 |
| 2" | 26307W-B | 1/20 |



LEAD FREE
CLEAN
BRASS

PRO-CONNECT PUSH™ 90° ELBOW

200 PSI/200°F

Forged Dezincification Resistant Brass Fittings
For Connection to Copper, CPVC, or PEX - Lead Free

BULK PACKED

Certified to ASSE 1061
& NSF/ANSI 61-G

| SIZE | ITEM # | CTN/CASE |
|-------------|----------|----------|
| Push × Push | | |
| 1 1/4" | 26405W-B | 1/20 |
| 1 1/2" | 26406W-B | 1/15 |
| 2" | 26407W-B | 1/8 |



LEAD FREE
CLEAN
BRASS

PRO-CONNECT PUSH™ TEE

200 PSI/200°F

Forged Dezincification Resistant Brass Fittings
For Connection to Copper, CPVC, or PEX - Lead Free

BULK PACKED

Certified to ASSE 1061
& NSF/ANSI 61-G

| SIZE | ITEM # | CTN/CASE |
|--------------------|----------|----------|
| Push × Push × Push | | |
| 1 1/4" | 26505W-B | 1/15 |
| 1 1/2" | 26506W-B | 1/10 |
| 2" | 26507W-B | 1/6 |



LEAD FREE
CLEAN
BRASS

PRO-CONNECT PUSH™ END CAP

200 PSI/200°F

Forged Dezincification Resistant Brass Fittings
For Connection to Copper, CPVC, or PEX - Lead Free

BULK PACKED

Certified to ASSE 1061
& NSF/ANSI 61-G

| SIZE | ITEM # | CTN/CASE |
|--------|----------|----------|
| Push | | |
| 1 1/4" | 26605W-B | 1/40 |
| 1 1/2" | 26606W-B | 1/35 |
| 2" | 26607W-B | 1/30 |



LEAD FREE
CLEAN
BRASS

NEW TAP-A-LINE KIT

ADD A NEW SUPPLY LINE IN JUST MINUTES

PRO-CONNECT PUSH™

200 PSI/200°F

TAP-A-LINE KIT

Includes Repair Tee, Copper Tube Stub
Straight Supply Stop & Removal Tool
For Connection to Copper, CPVC, or PEX - Lead Free

BULK PACKED

Certified to ASSE 1061
& NSF/ANSI 61-G

| SIZE | ITEM # | CTN/CASE |
|----------------|-------------|----------|
| Push × OD Comp | | |
| 1/2" × 1/4" | 26920WKIT-B | 6/60 |
| 1/2" × 3/8" | 26921WKIT-B | 6/60 |
| 3/4" × 1/4" | 26930WKIT-B | 6/60 |



REMOVAL TOOL

BULK PACKED

| SIZE | ITEM # | CTN/CASE |
|--------|---------|----------|
| 1 1/4" | 28115-B | 1/50 |
| 1 1/2" | 28116-B | 1/50 |
| 2" | 28117-B | 1/50 |